



## Pole Specifications

### Description

The SSS square straight steel poles are designed for top or side mounted luminaries, with a new universal drill pattern on all four sides of the pole. Polycarbonate black plugs are included to cover all unused holes (12 total). SSS poles are stocked in 12', 15', 17', 20', 25' and 30' lengths in a bronze finish. Pole includes pole cap, base plate cover, hand-hole cover, anchor bolts, anchor bolt template and pole plugs.

### Construction

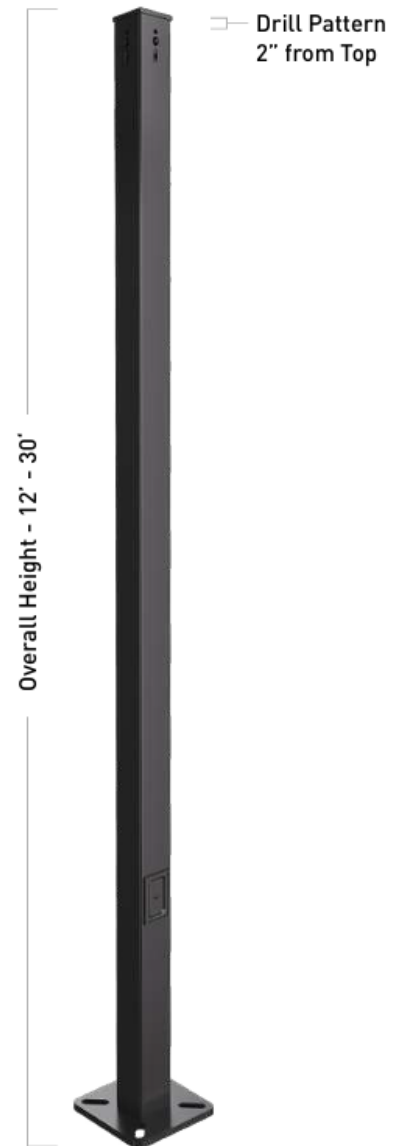
- Galvanized steel exceeds ASTM A500 Grade C (IS 2062 E350) with minimum yield strength of 50,000 PSI
- Corrosion resistant and durable bronze finish
  - Hot dip galvanized (3 mil min) base coat with TGIC-free polyester powder coat finish (3 mil min), meets 1000 hour salt fog rating per ASTM B117 and 1000 hour QUV accelerated weathering per ASTM G154
- Base plates constructed of high strength ASTM A36 steel with 36,000 PSI minimum yield strength
- Galvanized high strength ASTM A55 anchor bolts (set of 4) with 55,000 PSI minimum yield strength
- Pre-drilled universal hole pattern on all four sides for flexible luminaire attachment (accommodates 2"-3" on-center hole patterns)

### Installation

- Pole includes spring-loaded polycarbonate pole cap, easily secured 2-piece base plate cover, cold rolled carbon steel hand hole cover with ground screw, anchor bolts and bolt circle template
- 12 Plugs provided to seal unused drill holes at top of pole

### Warranty

- 1 Year limited warranty





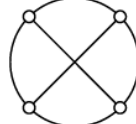
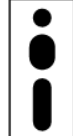


Height	Nominal Shaft Dimensions	Wall Thickness	Bolt Circle	Bolt Circle (Range)	Bolt Square (Range)	Base Plate Square	Anchor Bolt Size	Bolt Projection	Pole Weight
12 ft.	4"	0.119"	9"	8" - 11"	5.66" - 7.78"	10.5"	3/4"x 30"x 4"	3.5"	120 lbs
15 ft.	4"	0.119"	9"	8" - 11"	5.66" - 7.78"	10.5"	3/4"x 30"x 4"	3.5"	127 lbs
17 ft.	4"	0.119"	9"	8" - 11"	5.66" - 7.78"	10.5"	3/4"x 30"x 4"	3.5"	139 lbs
20 ft.	4"	0.119"	9"	8" - 11"	5.66" - 7.78"	10.5"	3/4"x 30"x 4"	3.5"	157 lbs
25 ft.	4"	0.119"	9"	8" - 11"	5.66" - 7.78"	10.5"	3/4"x 30"x 4"	3.5"	188 lbs
30 ft.	5"	0.119"	11"	10.5" - 12"	7.47" - 8.63"	11"	1"x 36"x 4"	3.5"	275 lbs
30 ft.	5"	0.179"	11"	10.5" - 12"	7.47" - 8.63"	11"	1"x 36"x 4"	3.5"	386 lbs

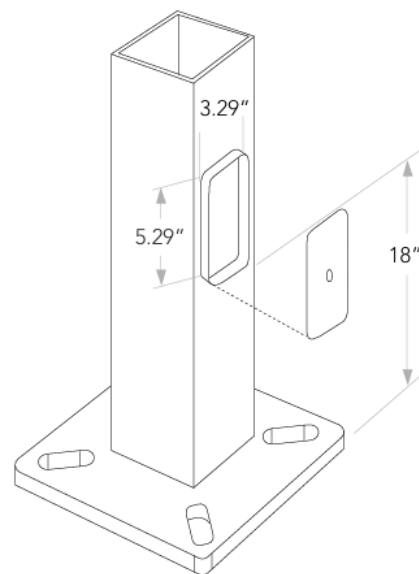
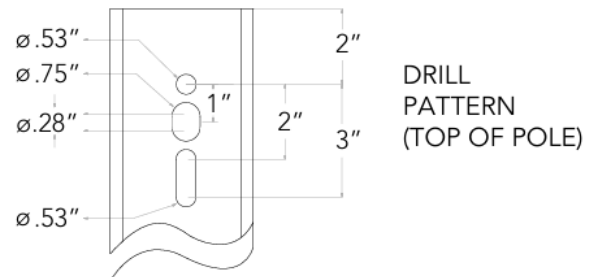
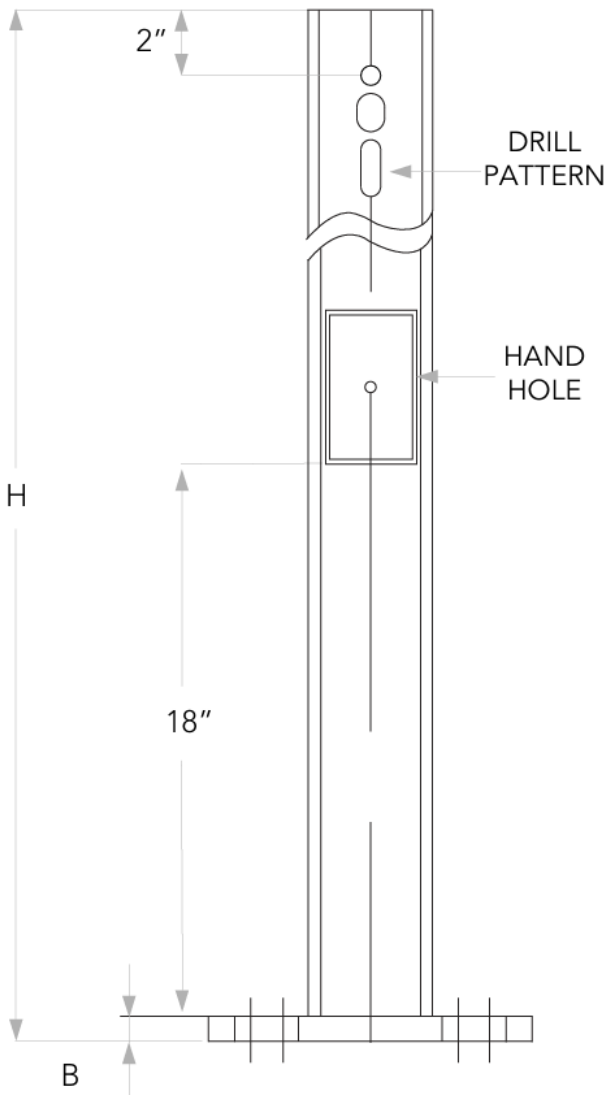


## DIMENSIONS AND WEIGHT

### Included Accessories

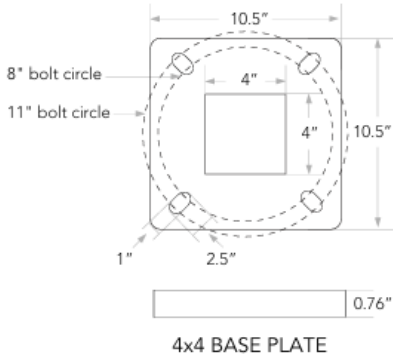
 <p><b>Anchor Bolts</b> JB3044 for 4" poles JB3644 for 5" poles</p>	 <p><b>Base Plate Cover</b></p>	 <p><b>Pole Cap (Black)</b></p>	 <p><b>Hand Hole Cover</b></p>	 <p><b>Template</b></p>	 <p><b>Plugs (12 Total)</b></p>
--	--	--	---	--	--

Height	Shaft Dia	Base Height
20'	4"	0.75"
20'	5"	1"
22'	5"	1"

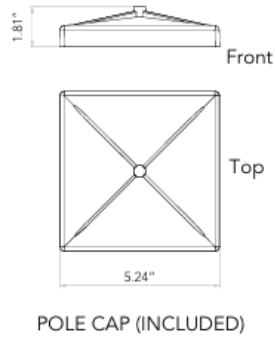
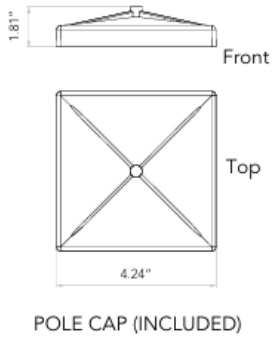
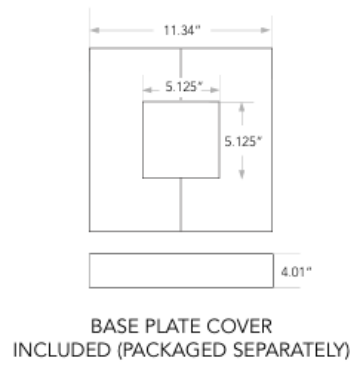
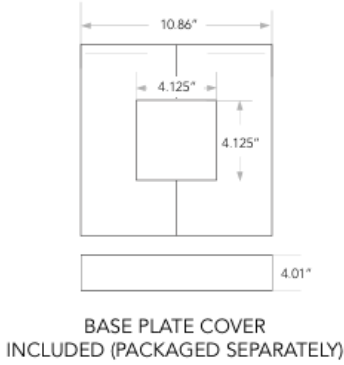
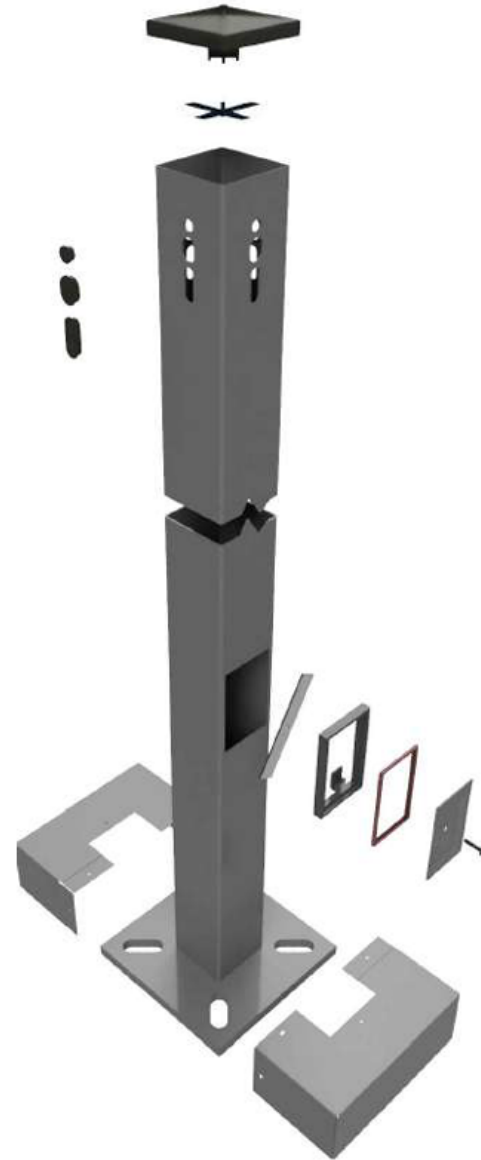
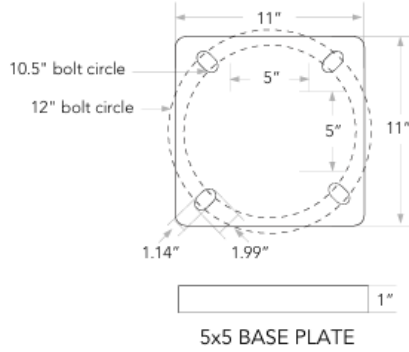


## DIMENSIONS AND WEIGHT

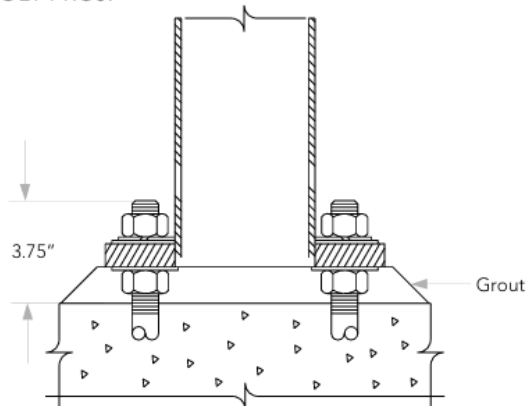
### 4" x 4" Pole Shaft



### 5" x 5" Pole Shaft

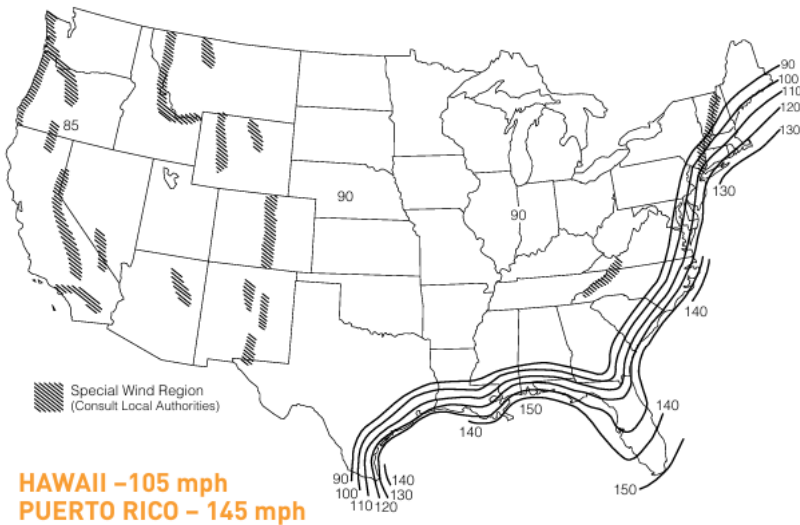


### BOLT PROJ.

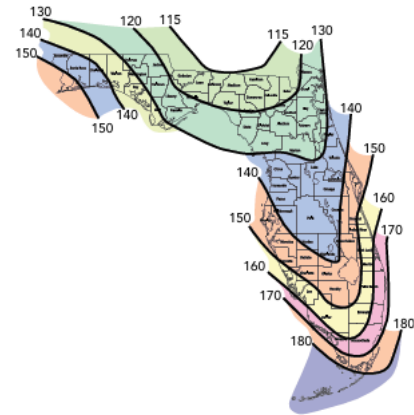


## WIND SPEED MAP

### ASCE7-05 WIND MAP



### FLORIDA REGION WIND MAP



Florida region wind map above is based upon 3-second gust winds and the 2017 Florida Building Code

### Allowable Wind Loading (AASHTO LRFDLTS-1)

Mounting Height (ft)	90 mph	100 mph	110 mph	120 mph	130 mph	150 mph	Anchor Bolt	
	EPA (ft²)	EPA (ft²)	EPA (ft²)	EPA (ft²)	EPA (ft²)	EPA (ft²)	Diameter (in)	Length (in)
12	16.0	13.0	10	8	6.5	4	0.75	30
15	11.5	8.9	6.5	5	3.8	1.9	0.75	30
17	12.0	12.0	9.9	7.6	5.9	3.3	0.75	30
20	12.0	9.1	6.7	4.8	3.4	1.3	0.75	30
25	7.0	4.6	2.7	1.3	0.3	-	0.75	30
30	5.6	2.7	0.6	-	-	-	1.00	36
30	11.7	7.8	4.8	2.5	0.8	-	1.00	36

- Applications: Lighting installations for side and top mounting of luminaires with an effective projected area (EPA) not exceeding maximum allowable loading of the specified pole in its installed geographic location.
- Allowable EPA, to determine max pole loading weight, multiply allowable EPA by 30 lbs.
- The Wind Maps are intended only as a general guide. Always consult local authorities to determine maximum wind velocities, gusting and unique wind conditions for each specific application.
- Allowable pole EPA for jobsite wind conditions must be equal to or greater than the total EPA for fixtures, arms, and accessories to be assembled to the pole. The responsibility lies with the specifier for correct pole selection. Installation of poles without luminaires or attachment of any unauthorized accessories to poles is discouraged and shall void the manufacturer's warranty.
- Wind speeds and listed EPAs are for ground-mounted installations. Poles mounted on structures (such as bridges and buildings) must consider vibration and coefficient of height factors beyond this general guide; Consult local and federal standards.
- Wind induced vibration brought on by steady, unidirectional winds and other unpredictable aerodynamic forces are not included in wind velocity ratings.
- Extreme wind events like hurricanes, typhoons, cyclones, or tornadoes may expose poles to flying debris, wind shear or other detrimental effects not included in wind velocity ratings. Due to our continued efforts to improve our products, product specifications are subject to change without notice.
- Factory supplied template must be used when setting anchor bolts. Eran Industrial will deny any warranty claim for incorrect anchorage placement resulting from failure to use factory supplied template and anchor bolts.
- For the diameter and depth of concrete pads for anchor bolts, please consult a qualified engineer.



## PRODUCT WARNINGS

- ⚡ Please turn off power before install or change assembly parts.
- ⚡ The input voltage and lamps should be matched, after connecting the power line.
- ⚡ Please make sure the wiring section is insulated.
- ⚡ Professionals must install and disassemble the lamps.
- ⚡ Surge is the number 1 cause of LED light failure. Outdoor lights must have surge at fixture, pole, and breaker.
- ⚡ Surge is the number 1 cause of LED light failure. Indoor lights must have surge at fixture and breaker.

## PRODUCT TROUBLESHOOTING

Issue	Check points
Light Flickers	Check all wiring for disconnections, shorts and burnt wiring and connections. Confirm steady input voltage to the light fixture, fluctuating input voltage will harm the LED driver and can lead to premature failure. Lights with photocells can have photocell tag from ambient light or light reflecting at the sensor. Simply cover the photocell completely and see if flickering continues while the photocell is covered. Call Tech Support for help if none of the above solves the issue.
Light does not work at all.	Check all wiring for disconnections, shorts and burnt wiring and connections. Confirm steady input voltage to the light fixture, fluctuating input voltage will harm the LED driver and can lead to premature failure. If input voltage is not in the voltage range of the fixture, you will need to find the source of your input voltage issue. Call Tech Support for help if none of the above solves the issue.

**For more technical information, install questions, troubleshooting help or warranty claims, we have a dedicated US Tech and Customer Support Team to help solve any issues you have and can be reached by email or phone. If you need help with any of our products, we are here for you so that you are never in the dark!**

## BETTER LIGHTS. BETTER SUPPORT.





**CERTIFIED**



**LISTED**



**LEGENDARY RUGGEDGRADE QUALITY**



**US based  
phone and online  
customer support**



**5 YEARS  
WARRANTY**