

## PRODUCT DESCRIPTION

Tucana III adds 0-10v dimmability, top level DLC 5.1 Premium certification, with an Ultra-Efficient 140+ lumens per watt and Dark Sky Compliance, and a new clean design that hides any screws from visibility



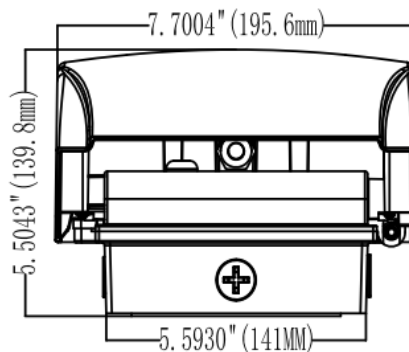
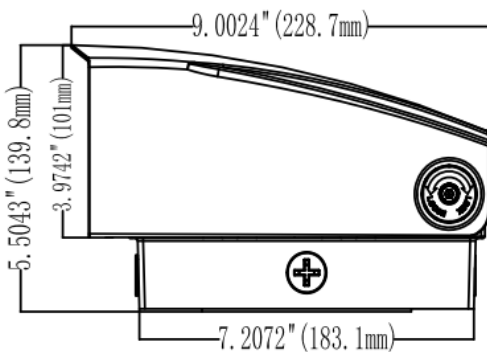
DLC #:

RGL-80W-90D-TT

## PRODUCT FEATURES & COMMON USE APPLICATIONS

- UL, cUL, certificate
- Lumileds 2835, high CRI.
- Input voltage 120-277VAC .
- Output constant current lever can be adjusted throughout cable with 0-10V.
- No UV or IR in the beam.
- Wattage adjustable feature enabled with wattage dial device (sold separately).
- Easy to install and operate.
- Energy saving, long lifespan.
- Light is soft and uniform, safe to eyes.
- Instant start, NO flickering, NO humming.
- Entrance lighting, courtyard lighting;
- Industrial lighting, Outdoor landscape lighting;
- Building, The hotel;
- Wall lighting area and so on.

## PRODUCT DIMENSIONS



### LEGENDARY USA SUPPORT



US based  
phone and online  
customer support





### PRODUCT TECHNICAL SPECIFICATIONS

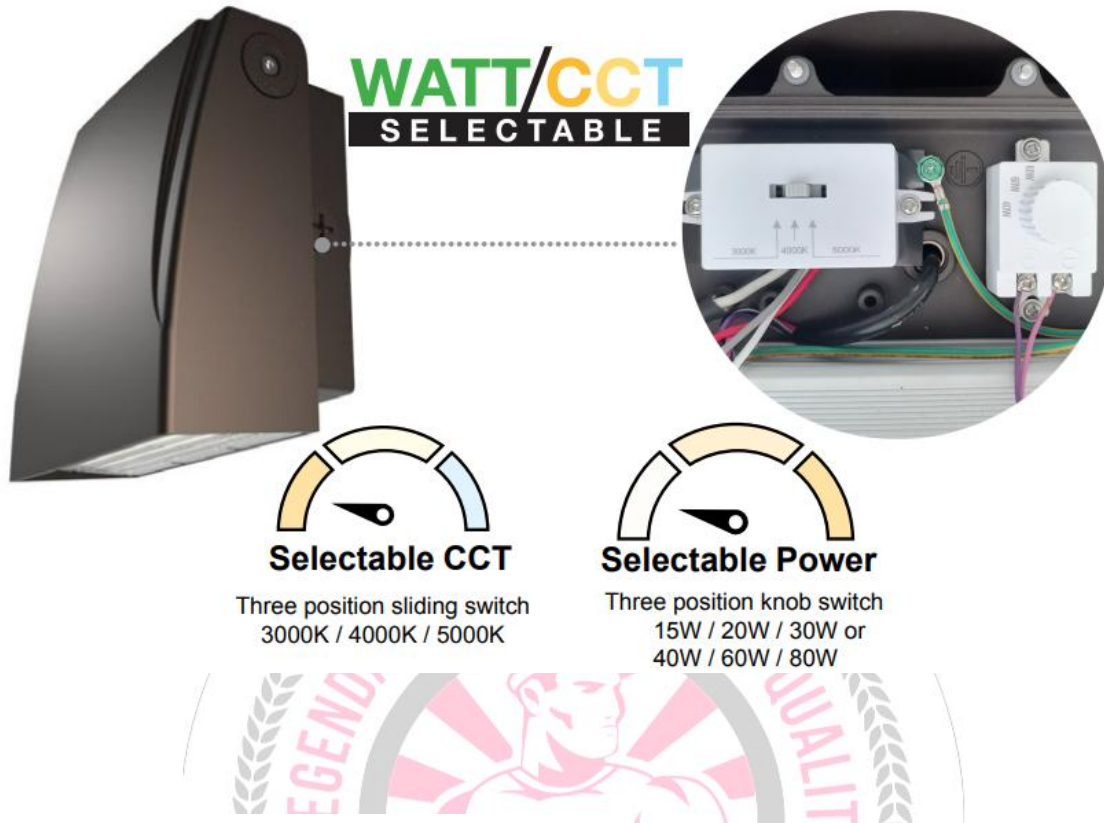
OPTICAL	Input Power (Tolerance : ±10%)	80W(Wattage Selectable 80W/60W/40W)		
	Color Temperature	3000K	4000K	5000K
	Lumen (Tolerance : -10%)	10000LM	11200LM	10800LM
	Efficacy (Tolerance : -3%)	125LM/W	140LM/W	135LM/W
	CRI	>80		
	Color Consistency	< 7 Steps (or <7 SDCM)		
	Diffuser Type	PC Lens		
	Distribution Pattern	Type II		
	Beam Angle (50%) (Tolerance :	H120*V85 Degree		
ELECTRICAL	Input Voltage and Frequency	120-277VAC, 50/60Hz		
	PF (Tolerance : -3%)	≥0.9		
	THD (Tolerance : +5%)	≤20%		
	Flicker Percent	<5%		
	Driver Brand	Daermay		
	Driver Model	Daermay		
	Driver Surge protection	L-N: 4kV , L&N-E: 4kV		
	Dimming	0-10V dimming standard		
	Optional Accessory	NA		
MATERIALS	LED Brand	Lumileds		
	LED Type	SMD2835		
	LED QTY	104*2PCS		
	Housing	Die-cast aluminum		
	Housing Color	Bronze		
OTHERS	Waterproof Rating	WET (IP65)		
	Storage Temperature	-40°F ~ 176°F		
	Operating Humidity	20% - 90% RH		
	Storage Humidity	10% - 95% RH		
Warranty	5 years warranty with 24/7 operating hours Luminaire lifetime			

### PRODUCT MOUNTS & ACCESSORIES





PRODUCT IMAGES & ACTUAL INSTALLATIONS



**WATT/CCT  
SELECTABLE**



**Selectable CCT**

Three position sliding switch  
3000K / 4000K / 5000K



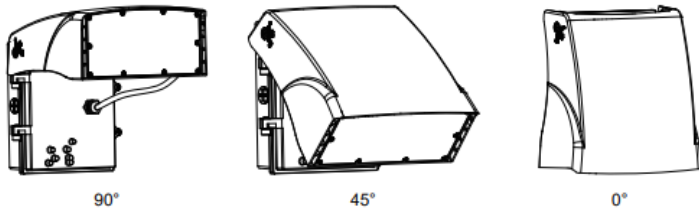
**Selectable Power**

Three position knob switch  
15W / 20W / 30W or  
40W / 60W / 80W

**Standard wire:**

L/live wire: Black/Brown;  
N/null wire: White/Blue;  
Ground wire: Green/Yellow-green.

Note: To meet the requirements of DLC certification, lamps are limited to the same side of the light-emitting use, not in different directions of irradiation use (as shown below)



**Warning/Advertisement:**

MIN 90°C SUPPLY CONDUCTORS

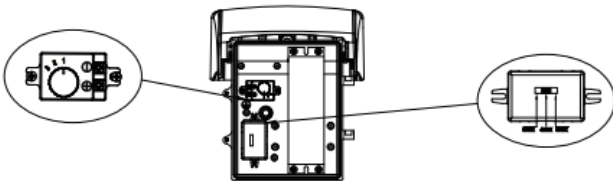
THIS PRODUCT MUST BE INSTALLED IN ACCORDANCE WITH THE APPLICABLE INSTALLATION CODE BY A PERSON FAMILIAR WITH THE CONSTRUCTION AND OPERATION OF THE PRODUCT AND THE HAZARDS INVOLVED

LES FILS D'ALIMENTATION 90 °C MIN

CE PRODUIT DOIT ÊTRE INSTALLÉ SELON LE CODE D'INSTALLATION PERTINENT, PAR UNE PERSONNE QUI CONNAÎT BIEN LE PRODUIT ET SON FONCTIONNEMENT AINSI QUE LES RISQUES INHÉRENTS.

**CCT & Wattage adjustment Instruction**

- 1, After the fixture is fixed(Step 9), adjust the CCT via a controlling switch as per your demand, with 3000K/ 4000K/ 5000K optional, as shown in below picture;
- 2, After the fixture is fixed(Step 9), adjust the wattage via a controlling knob as per your demand, with 3 settings optional, as shown in below picture;





## INSTALLATION GUIDE

### Warning:

1. Do not use the electric generator to test the LED lamp;
2. This luminaire must be installed in accordance with your local electrical codes and requirements;
3. Do not install the luminaire in rainy days, to avoid lightning stroke and damage to luminaire.

### Installation notice:

1. This luminaire must be installed by qualified electrician to avoid electric shock and fire accident;
2. Wear gloves before installation in order to avoid injury;
3. Turn off the power immediately when there is smoke and fire during installation, inform professionals to overhaul;
4. This luminaire is suitable for outdoor use.

### Installation:

Step 1: Loosen the screws on the side of the radiator with an Allen wrench, and rotate the radiator to 90 degrees(Figure 1 & Figure 2);

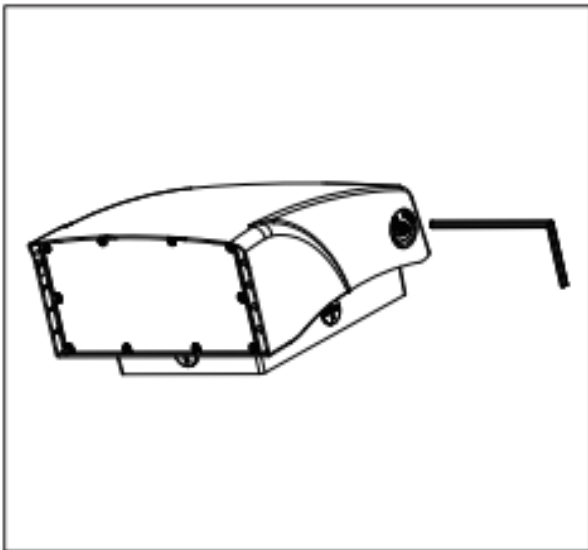


Figure 1

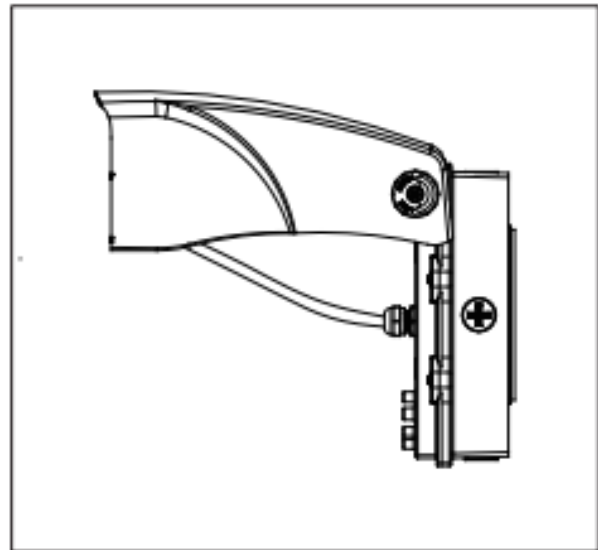


Figure 2



## INSTALLATION GUIDE

Step 2: Use a screwdriver to remove the screws on the driver box cover and separate the driver box from the radiator(Figure 3 & Figure 4);

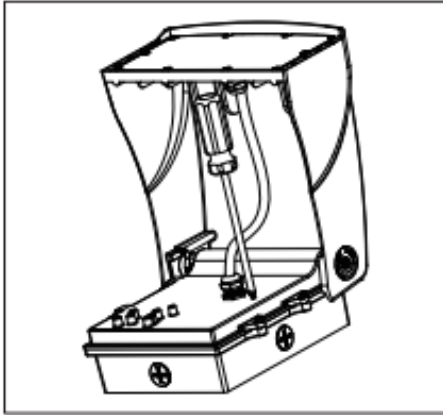


Figure 3

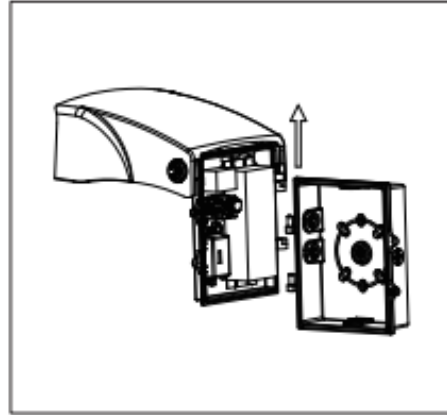


Figure 4

Step 3: Drill an installation holes at the bottom of light, paste the EVA mat(Figure 5 & Figure 6);

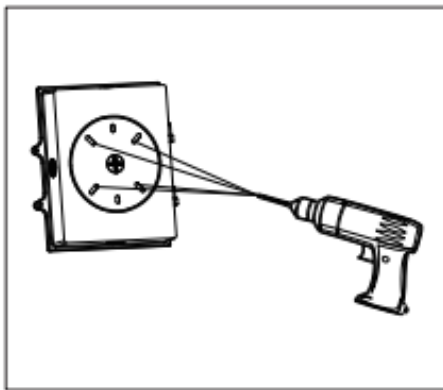


Figure 5

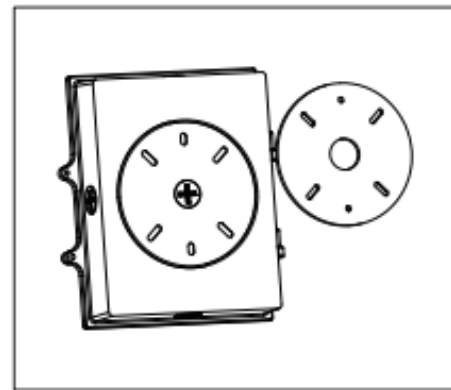


Figure 6

Step 4: Drill holes on the wall according to the locating plate(Figure 7);

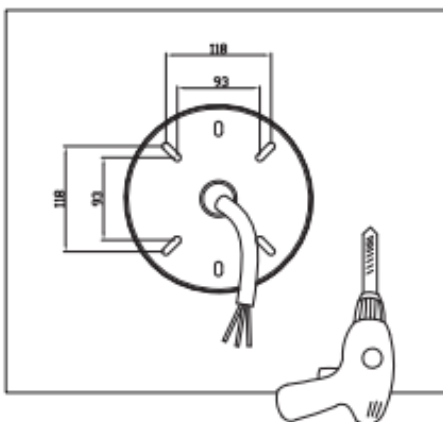


Figure 7

Step 5: Fix rubber plugs into holes (Figure 8);

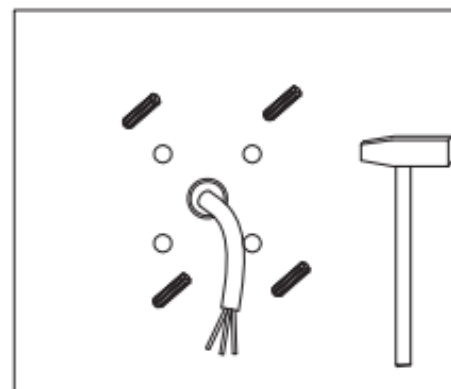


Figure 8





### INSTALLATION GUIDE

Step 6: Align the holes on the lamp base with the holes on the wall, and tighten the screws(Figure 9);

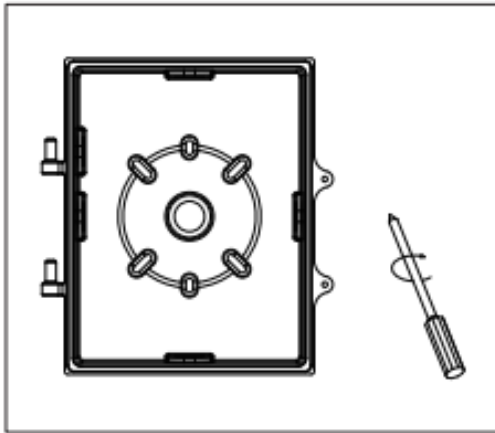


Figure 9

Step 7: Fasten the radiator to the driver box and connect the wires properly ((Figure 10 & Figure 11);

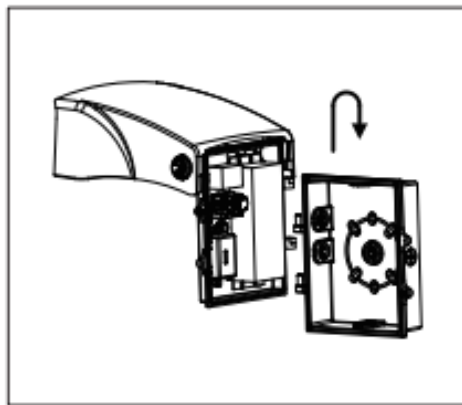


Figure 10

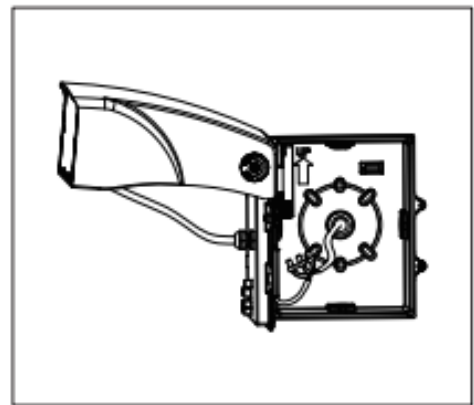


Figure 11

Step 8: Well organize the line and tighten the screws of the lamp base (Figure 12 & Figure 13).

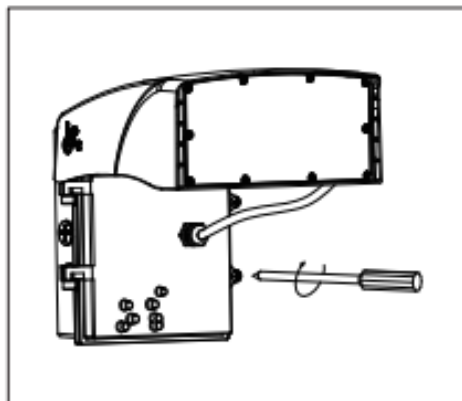


Figure 12

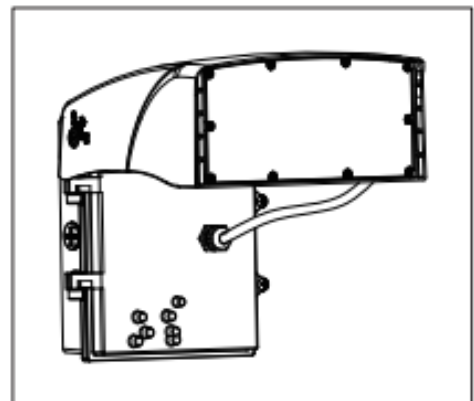


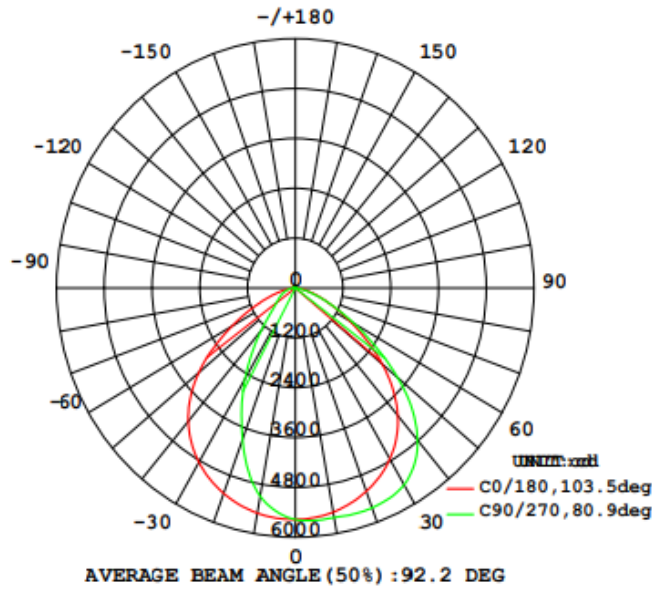
Figure 13



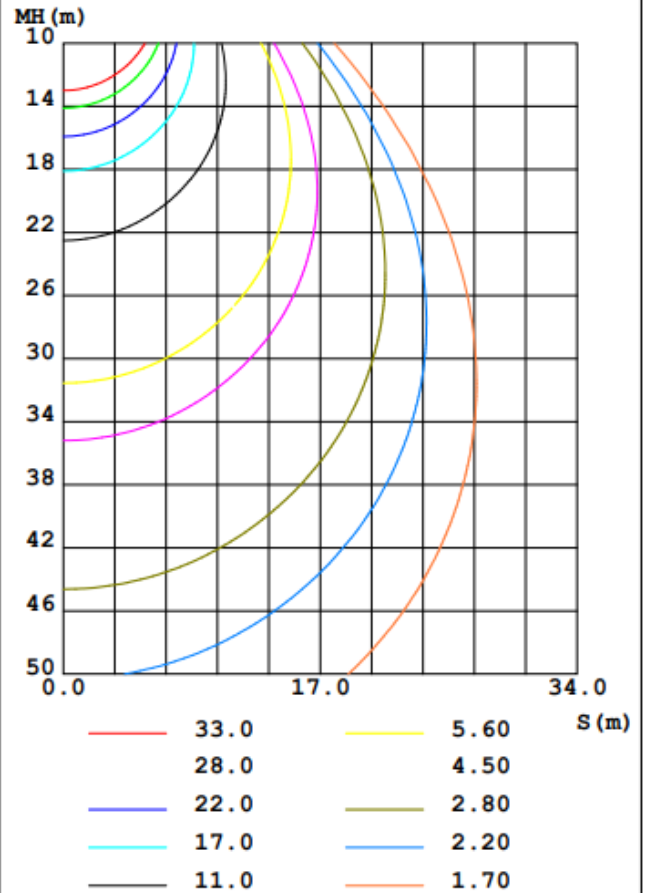


### PHOTOMETRICS

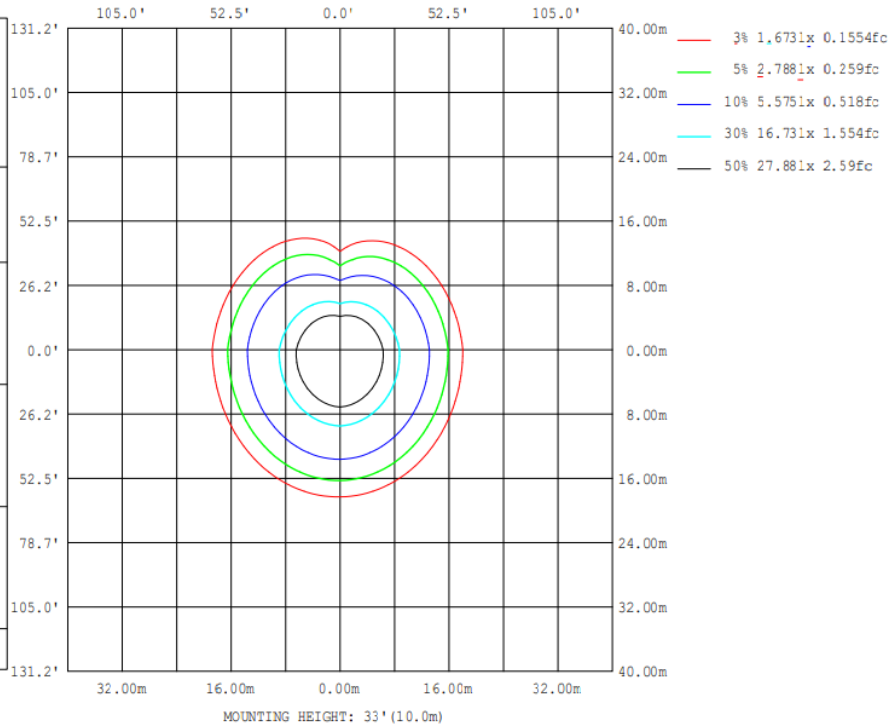
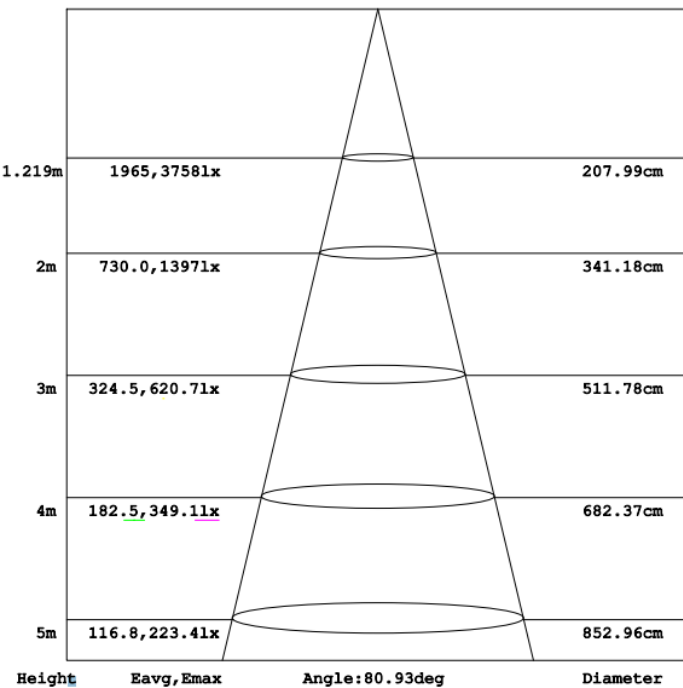
**LUMINOUS INTENSITY DISTRIBUTION DIAGRAM**



**C0 PLANE ISOLUX DIAGRAM (UNIT: lx)**



Flux out: 6932 lm



## PRODUCT PACKAGING

	Size	Qty / Carton	Net Weight / Carton	Gross Weight / Carton
Outer box	(10.2"*9.72"*7.4")	1 PCS	(4.85lb)	(5.2lb)

\*Tolerance of Carton Size:  $\pm 15$  MM, Tolerance of Weight:  $\pm 10\%$ .



PRODUCT WARNINGS

- ⚡ Please turn off power before install or change assembly parts.
- ⚡ The input voltage and lamps should be matched, after connecting the power line.
- ⚡ Please make sure the wiring section is insulated.
- ⚡ Professionals must install and disassemble the lamps.
- ⚡ Surge is the number 1 cause of LED light failure. Outdoor lights must have surge at fixture, pole, and breaker.
- ⚡ Surge is the number 1 cause of LED light failure. Indoor lights must have surge at fixture and breaker.

PRODUCT TROUBLESHOOTING

Issue	Check points
Light Flickers	Check all wiring for disconnections, shorts and burnt wiring and connections. Confirm steady input voltage to the light fixture, fluctuating input voltage will harm the LED driver and can lead to premature failure. Lights with photocells can have photocell tag from ambient light or light reflecting at the sensor. Simply cover the photocell completely and see if flickering continues while the photocell is covered. Call Tech Support for help if none of the above solves the issue.
Light does not work at all.	Check all wiring for disconnections, shorts and burnt wiring and connections. Confirm steady input voltage to the light fixture, fluctuating input voltage will harm the LED driver and can lead to premature failure. If input voltage is not in the voltage range of the fixture, you will need to find the source of your input voltage issue. Call Tech Support for help if none of the above solves the issue.

For more technical information, install questions, troubleshooting help or warranty claims, we have a dedicated US Tech and Customer Support Team to help solve any issues you have and can be reached by email or phone. If you need help with any of our products, we are here for you so that you are never in the dark!

**BETTER LIGHTS.  
BETTER SUPPORT.**

