



PRODUCT DESCRIPTION

ULTRA-THIN LED RECESSED CEILING LIGHT, HIGH BRIGHTNESS. ONLY REQUIRES 2 INCHES CLEARANCE OF CEILING SPACE, PERFECT SOLUTION FOR YOUR NARROW CEILING THAT DOESN'T FIT FOR A CAN. MAKING THIS LIGHT PERFECT FOR REMODELING, OR NEW CONSTRUCTION INSTALLATIONS.

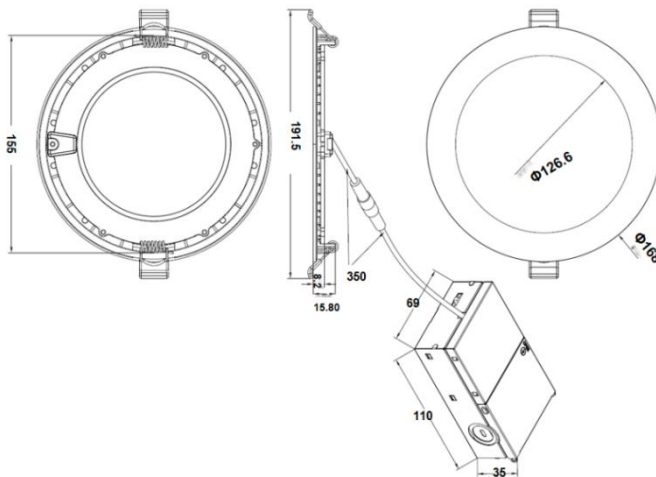


Part #: RGL-KALO-6IN-15W

PRODUCT FEATURES & COMMON USE APPLICATIONS

- ✓ Lumileds Chip, high CRI.
- ✓ Input voltage 120-277Vac
- ✓ No UV or IR in the beam
- ✓ Easy to install and operate
- ✓ Energy saving, long lifespan
- ✓ Instant start, NO flickering, NO humming
- ✓ Green and eco-friendly without mercury
- ✓ Output constant current lever can be adjusted through output cable with 0-10V.
- ✓ Living room
- ✓ Residential/Home lighting
- ✓ Building, The Hotel.
- ✓ Wall lighting Area ETC.

PRODUCT DIMENSIONS



LEGENDARY USA SUPPORT



US based phone and online customer support



5 YEARS WARRANTY



PRODUCT TECHNICAL SPECIFICATIONS

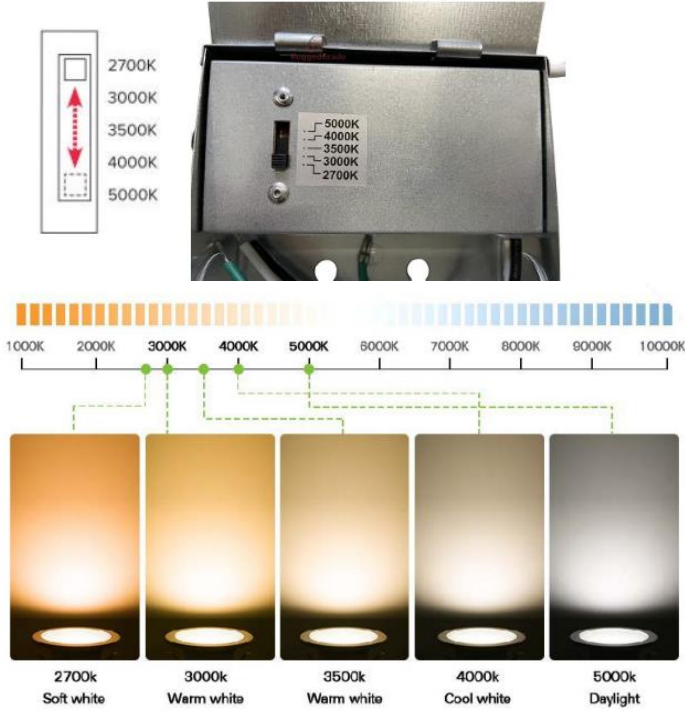
OPTICAL	Input Power (Tolerance: $\pm 10\%$)	15W		
	Color Temperature	2700K-3000K	4000K	5000K-5700K
	Lumen (Tolerance: -10%)	1000 LM	1100 LM	1050 LM
	Efficacy (Tolerance: -3%)	66 LM/W	73 LM/W	70 LM/W
	CRI	>90		
	Color Consistency	< 6 Steps (or < 6 SDCM)		
	Beam Angle (50%) (Tolerance: $\pm 15\%$)	110°		
	Input Voltage and Frequency	120-277VAC, 50/60Hz		
ELECTRICAL	PF (Tolerance: -3%)	≥ 0.9		
	THD (Tolerance: +5%)	$\leq 20\%$		
	Flicker Percent	<70%		
	Driver Brand	RG		
	Driver Model	RG-15W-120v		
	Driver Surge protection	L/N-PE: 2.5kV, L-N:2.5kV		
	Dimming	TRIAC dimming standard		
	Optional Accessory	NONE		
MATERIALS	LED Brand	Lumileds		
	LED Type	SMD2835		
	Housing	PC		
	Housing Color	WHITE		
	Waterproof Rating	WET (IP65)		
	Operating Temperature	-20°C TO 40°C		
OTHERS	Storage Temperature	-30°C TO 75°C		
	Operating Humidity	10% - 90% RH		
	Storage Humidity	5% - 95% RH		
Warranty	5 years warranty with 24/7 operating hours Luminaire lifetime at 25°C.			

PRODUCT ACCESORIES



PRODUCT IMAGES & ACTUAL INSTALLATIONS

CHANGE COLOR TEMPERATURE WITH THE SIMPLE FLIP OF A SWITCH



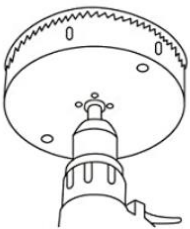
PRODUCT IMAGES & ACTUAL INSTALLATIONS



LEGENDARY USA SUPPORT

Easy installation

1



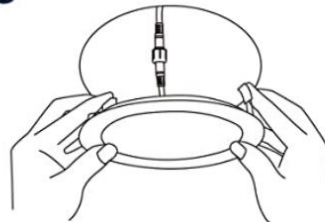
Cut a hole in the ceiling

2



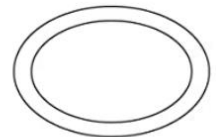
Place the J-box in and connect the corresponding wires

3



Connect the LED panel to the driver in the junction box

4



Insert the light into the ceiling



PRODUCT WARNINGS

- ⚡ Please turn off power before install or change assembly parts.
- ⚡ The input voltage and lamps should be matched, after connecting the power line.
- ⚡ Please make sure the wiring section is insulated.
- ⚡ Professionals must install and disassemble the lamps.
- ⚡ Surge is the number 1 cause of LED light failure. Outdoor lights must have surge at fixture, pole, and breaker.
- ⚡ Surge is the number 1 cause of LED light failure. Indoor lights must have surge at fixture and breaker.

PRODUCT TROUBLESHOOTING

Issue	Check points
Light Flickers	Check all wiring for disconnections, shorts and burnt wiring and connections. Confirm steady input voltage to the light fixture, fluctuating input voltage will harm the LED driver and can lead to premature failure. Lights with photocells can have photocell tag from ambient light or light reflecting at the sensor. Simply cover the photocell completely and see if flickering continues while the photocell is covered. Call Tech Support for help if none of the above solves the issue.
Light does not work at all.	Check all wiring for disconnections, shorts and burnt wiring and connections. Confirm steady input voltage to the light fixture, fluctuating input voltage will harm the LED driver and can lead to premature failure. If input voltage is not in the voltage range of the fixture, you will need to find the source of your input voltage issue. Call Tech Support for help if none of the above solves the issue.

For more technical information, install questions, troubleshooting help or warranty claims, we have a dedicated US Tech and Customer Support Team to help solve any issues you have and can be reached by email or phone. If you need help with any of our products, we are here for you so that you are never in the dark!

**BETTER LIGHTS.
BETTER SUPPORT.**

