

52-INCH | REVERSIBLE CEILING FAN WITH LIGHT



PRODUCT DESCRIPTION

This ceiling fan is designed for light sleepers, Features a 35W DC silent bearing copper core motor. The volume is low to 35dB when the fan is running, like the sound of falling leaves, a reduced 30% volume compared to traditional fans. it is more suitable for families with babies or elders.

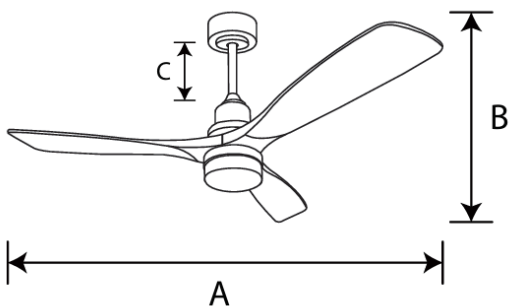


#: RGL-52IN-3BLADE-CF

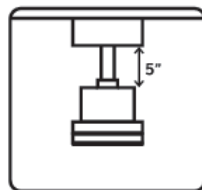
PRODUCT FEATURES & COMMON USE APPLICATIONS

- ETL certificate.
- Input voltage 120VAC.
- No UV or IR in the beam.
- Easy to install and operate.
- Energy saving, long lifespan.
- Light is soft and uniform, safe to eyes.
- Instant start, NO flickering, NO humming.
- Green and eco-friendly without mercury.
- Offices, Classrooms, ETC.
- Highway toll station and gas station.
- Exhibition hall.
- Gymnasium and supermarkets, etc
- Residential Locations, Kitchen, Den, Living Room

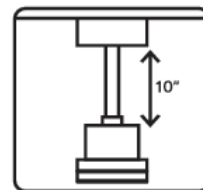
PRODUCT DIMENSIONS



Blades diameter	A	52"
Overall Height	B	16"/21"
Downrods	C	5"/10"



Short Downrod



Middle Downrod

LEGENDARY USA SUPPORT



US based phone and online customer support



Rugged Grade Lighting
Industrial Grade Solutions

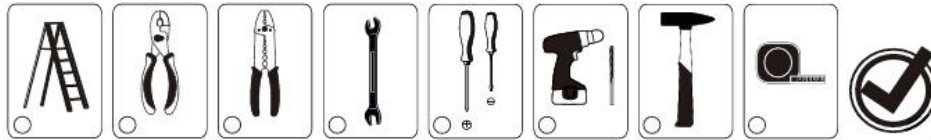


888-953-2476
sales@ruggedgrade.com

PRODUCT INSTALLATION GUIDE

OPTICAL	Input Power (Tolerance : ±10%)	18 Watt (For Ceiling Fan Light)
	Color Temperature	3000K/4000K/5700K (Color Selectable)
	Lumen (Tolerance : -10%)	800LM
	Efficacy (Tolerance : -3%)	45LM/W
	CRI	>80
	Fan Size	52-Inch
	Diffuser Type	PC Lens(Shatter Proof Lens)
	Fan Motor	DC Motor
ELECTRICAL	Input Voltage and Frequency	120-VAC
	PF (Tolerance : -3%)	≥0.95
	THD (Tolerance : +5%)	≤20%
	Driver Efficacy	<90%
	Fan Speed	1-6 adjustable speeds
	Fan Blades	3 Reversible Blades
	Sound Level	35DB
	Mounting Type	Down rod Mount
MATERIALS	Material	Walnut Wood
	Housing Color	White, Black, Customized
	Warranty	2 years warranty with 24/7 operating hours Luminaire lifetime at

PRODUCT MOUNTS & ACCESSORIES





PRODUCT SAFETY PRECAUTIONS

1. To reduce the risk of electric shock, ensure the electricity has been turned off at the circuit breaker or fuse box before you begin.
2. All wiring must be in accordance with the National Electrical Code ANSI/NFPA 70-1999 and local electrical codes. Electrical installation should be performed by a qualified licensed electrician.
3. The outlet box and support structure must be securely mounted and capable of reliably supporting 35 lbs. (15.9 kg). Use only UL Listed outlet boxes marked "Acceptable for Fan Support of 35 lbs. (15.9 kg) or less".
4. The fan must be mounted with a minimum of 7 ft. (2.1 m) clearance from the trailing edge of the blades to the floor.
5. Do not operate the reversing switch while the fan blades are in motion. You must turn the fan off and stop the blades before you reverse the blade direction.
6. Do not place objects in the path of the blades.
7. To avoid personal injury or damage to the fan and other items, use caution when working around or cleaning the fan.
8. Electrical diagrams are for reference only. Light kits that are not packed with the fan must be UL-listed and marked suitable for use with the model fan you are installing. Switches must be UL General Use Switches. Refer to the instructions packaged with the light kits and switches for proper assembly.
9. After making electrical connections, spliced conductors should be turned upward and pushed carefully up into the outlet box. The wires should be spread apart with the grounded conductor and the equipment-grounding conductor on one side of the outlet box.
10. All setscrews must be checked and re-tightened where necessary before installation.



WARNING: To reduce the risk of personal injury, do not bend the blade brackets (also referred to as flanges) during assembly or after installation. Do not insert objects in the path of the blades.



WARNING: To reduce the risk of fire or electric shock, this fan is NOT suitable for use with solid-state speed controls.



WARNING: To avoid possible electrical shock, make sure that the electricity is turned off at the main power box before starting work. If you feel you do not have enough electrical wiring knowledge or experience, contact a licensed electrician.



WARNING: Electrical diagrams are for reference only. Optional use of any light kit shall be UL-listed and marked suitable for use with this fan



READ AND SAVE THESE INSTRUCTIONS

WARNING - To Reduce The Risk Of Personal Injury, Do Not Bend The Blade Brackets When Installing The Brackets, Balancing The Blades, Or Cleaning The Fan. Do Not Insert Foreign Objects In Between Rotating Fan Blades.

WARNING - To Reduce The Risk Of Fire, Electric Shock, Or Personal Injury, Mount Directly To A Structural Framing Member Or To An Outlet Box Marked "Acceptable for Fan Support of 15.9 kg (35 lbs) or less". For Outlet Box Mounting, Use Mounting Screws Provided With The Outlet Box"



LISEZ ET SAUVEGARDEZ CES INSTRUCTIONS

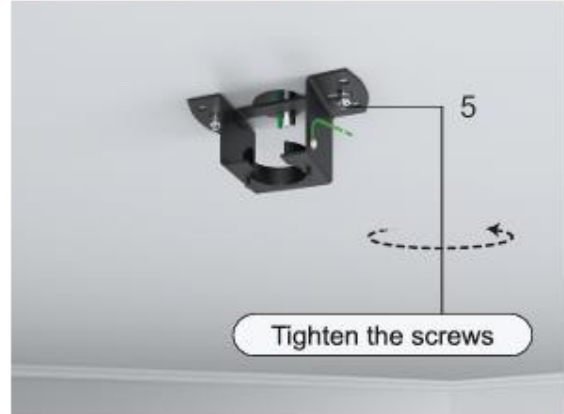
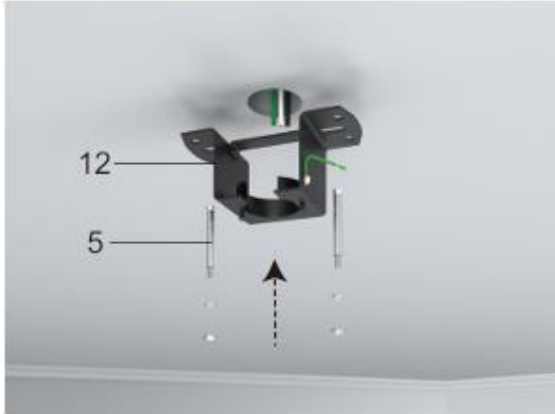
AVERTISSEMENT - pour réduire le risque de blessures corporelles, ne pliez pas le support de la lame lors de l'installation du support, de l'équilibrage des lames ou du nettoyage du ventilateur. N'insérez pas de corps étranger entre les lames du ventilateur en rotation.

AVERTISSEMENT - Pour Réduire Les Risques D'incendie, De Choc Électrique Ou De Blessure, Montez-Le Directement Sur Un Élément D'encadrement Structurel Ou Sur Une Boîte De Sortie Marquée «Acceptable Avec Une Assistance Du Ventilateur De 15,9 Kg (35 Lb) Ou Moins». Pour Le Montage Du Boîtier De Sortie, Utilisez Les Vis De Montage Fournies Avec Le Boîtier De Sortie."

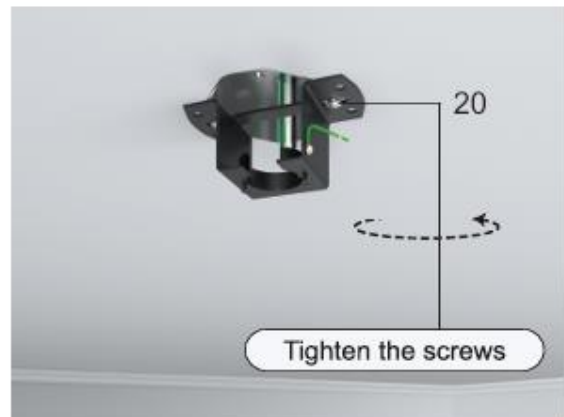
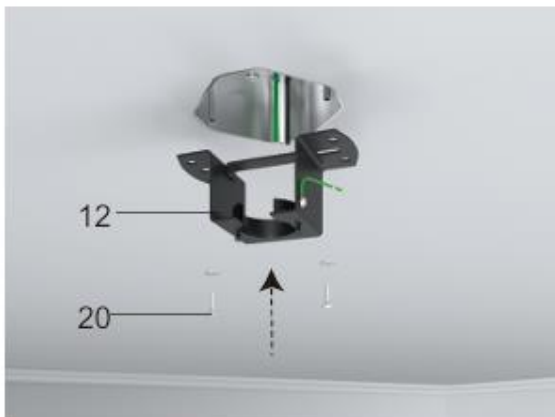


CEILING MOUNT INSTALLATION

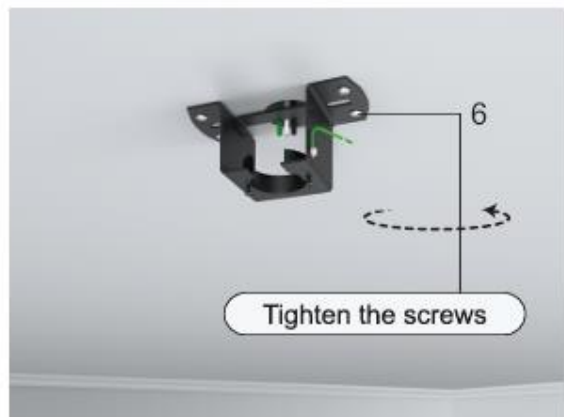
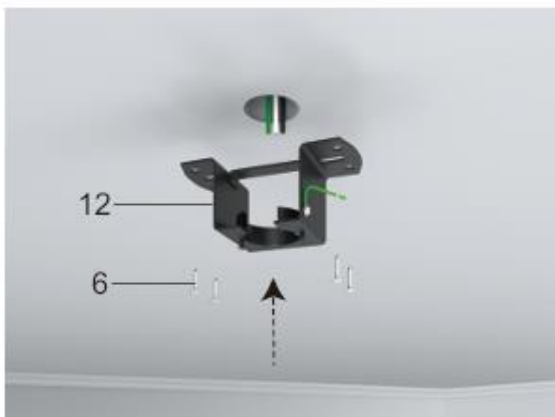
Concrete Ceiling Mounting Bracket



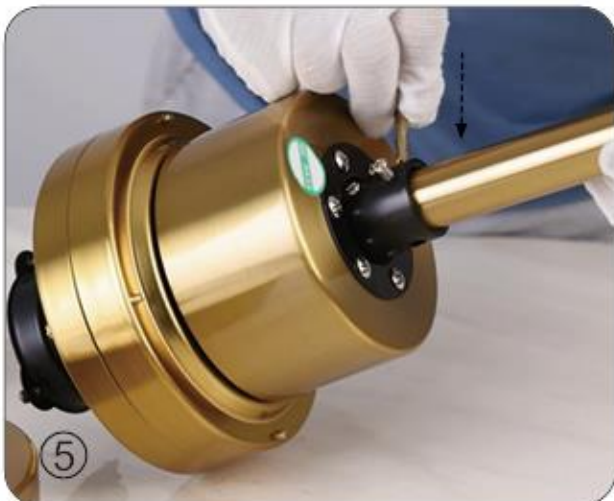
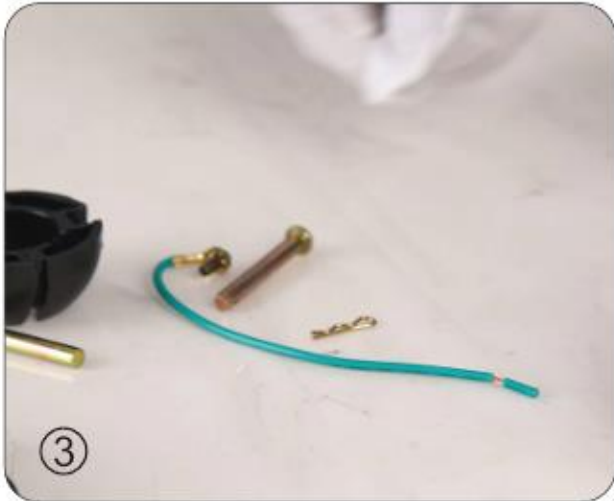
Hanger for Junction Box Mounting Bracket



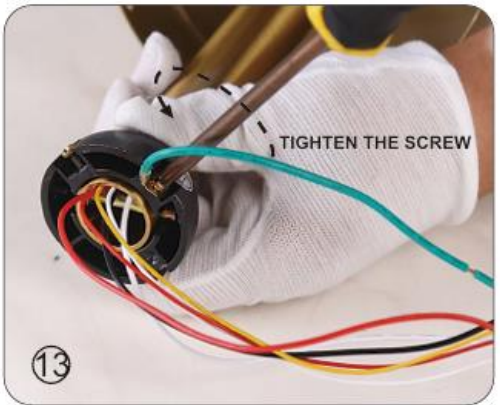
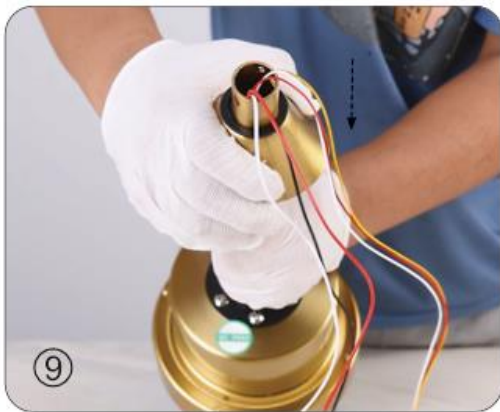
Wooden ceiling Mounting Bracket



DOWNROD INSTALLATION



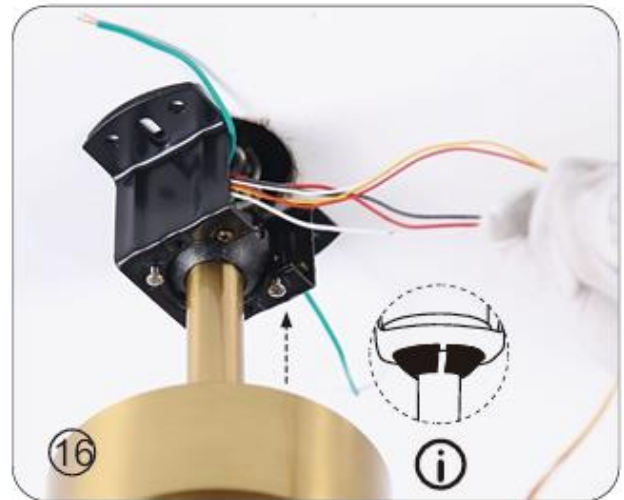
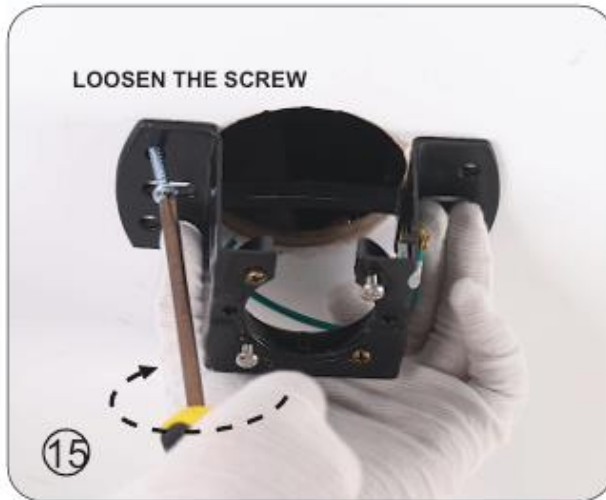
DOWNROD INSTALLATION




CEILING FAN ELECTRICAL INSTALLATION

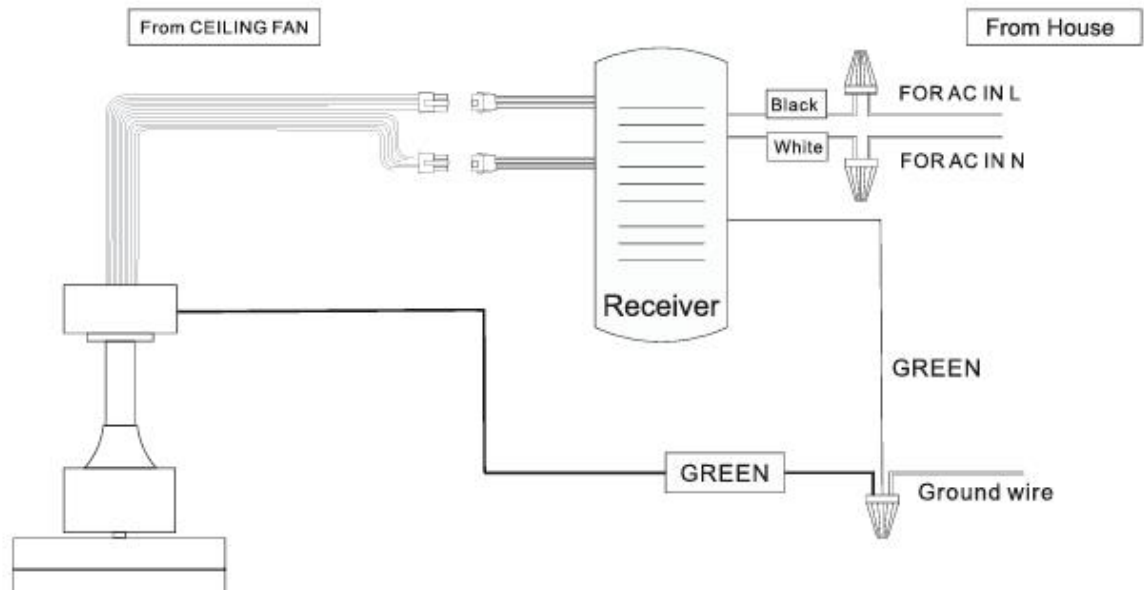


OFF!!

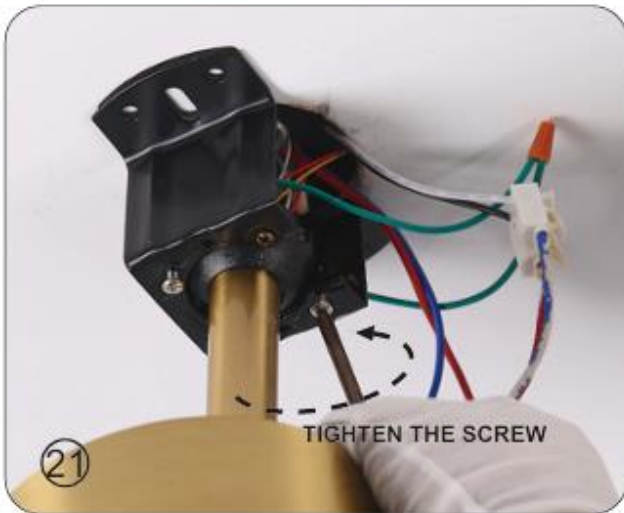
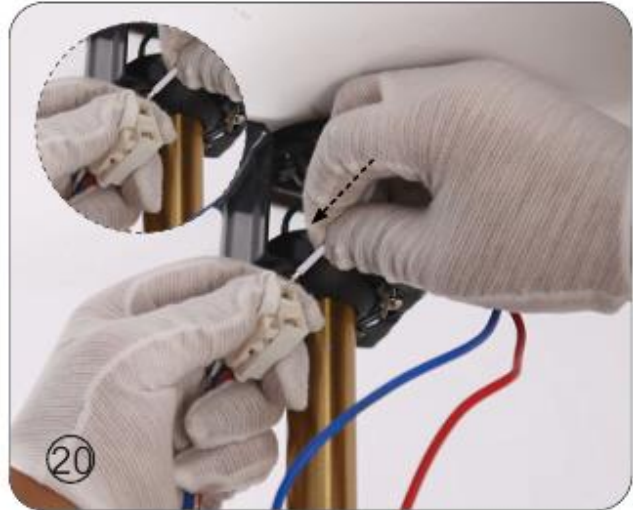


 **WARNING:** Turn off the electric power during installation and making wire connection.

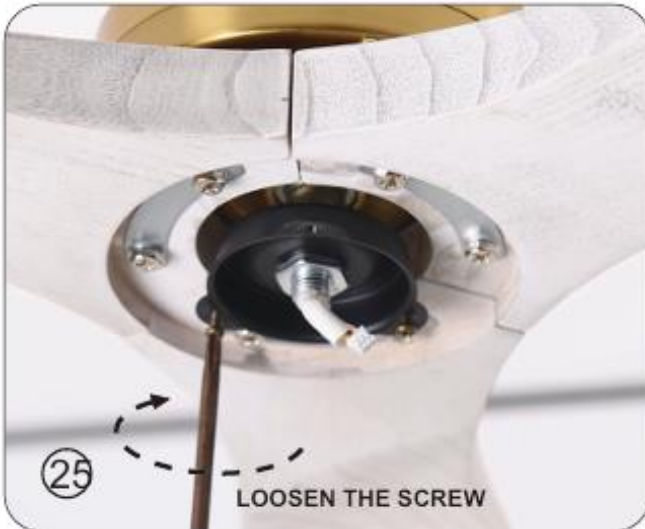
1. Connect the wire which from ceiling fan into the receiver.
2. Connect the wire from receiver with the wire from house.



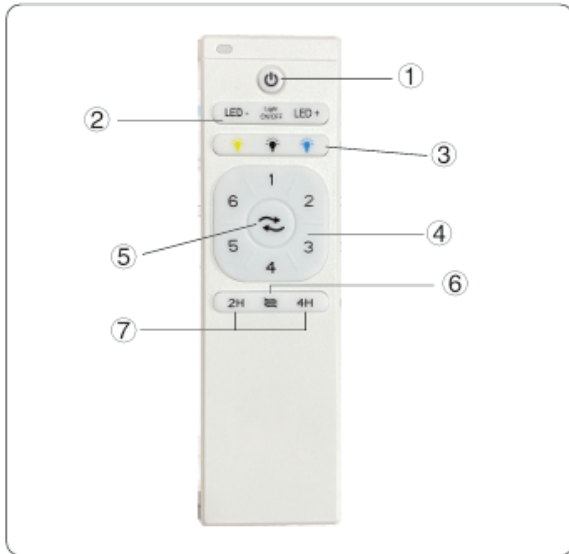
CEILING FAN ELECTRICAL INSTALLATION



CEILING FAN ASSEMBLY




REMOTE CONTROL INSTRUCTIONS



- ① ALL OFF : Turn off the lights and fans at the same time
- ② Light up/Light on/off/Lights dimmed
- ③ Warm light / Neutral light / White light
- ④ 6 Speed Settings
- ⑤ F / R : Changing fan run direction (15 sec)
- ⑥ Natural wind
- ⑦ Timer : It will turn off the light and the fan when the time is over

Note: the remote control must match the same code receiver

 After the reversible button is pressed, the fan slowly slows down to a stop. And then it started to reverse.

if it does not work



1. Turn on the main switch.



2. While turning on the main switch, press and hold the remote switch for 5 seconds.

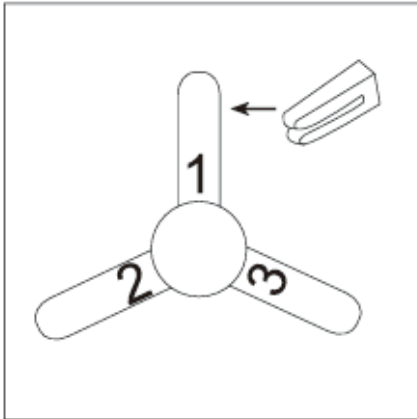


3. Hear the beep, the code is successful

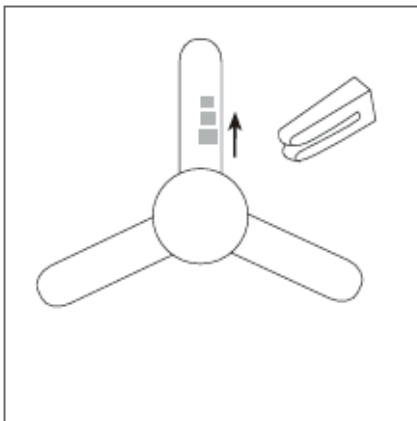




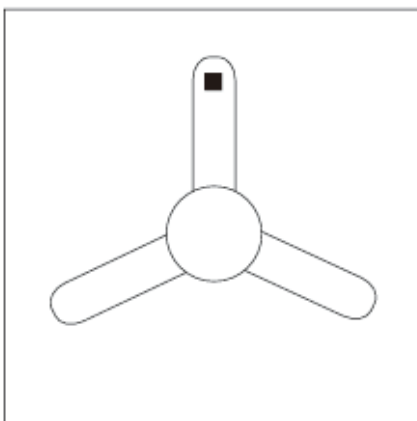
CEILING FAN BLADE ADJUSTMENT



Slide the balancing clip on the trailing edge of any blade, halfway between the holder and tip. Run the fan to check the wobble. If the wobble persists, repeat with each blade, noting which one most reduced the wobble.



Slide the clip in small increments away from the center of that blade. Move the clip, operate the fan, then move it again until you eliminate as much wobble as possible.



Stick the adhesive-backed balancing weight on the top center of the blade directly in line with the balancing clip. Add more weight if needed to get a smooth-running fan.



CEILING FAN CARE AND MAINTENANCE INSTRUCTIONS



WARNING: Make sure the power is off before cleaning your fan.

- Because of the fan's natural movement, some connections may become loose. Check the support connections, brackets, and blade attachments twice a year. Make sure they are secure. It is not necessary to remove the fan from the ceiling.
- Clean your fan periodically to help maintain its new appearance over the years. Do not use water when cleaning, as this could damage the motor, or the wood, or possibly cause an electrical shock. Use only a soft brush or lint-free cloth to avoid scratching the finish. The plating is sealed with a lacquer to minimize discoloration or tarnishing.
- You can apply a light coat of furniture polish to the wood for additional protection and enhanced beauty. Cover small scratches with a light application of shoe polish.
- You do not need to oil your fan. The motor has permanently-lubricated sealed ball bearings.



Problem	Solution
The fan will not start.	<ul style="list-style-type: none"> <input type="checkbox"/> Check the main and branch circuit fuses or breakers. <input type="checkbox"/> Check the line wire connections to the fan and switch wire connections in the switch housing.
The fan is noisy.	<ul style="list-style-type: none"> <input type="checkbox"/> Ensure all motor housing screws are snug. <input type="checkbox"/> Ensure the screws that attach the fan blade bracket to the motor hub are tight. <input type="checkbox"/> Ensure the wire nut connections are not rattling against each other or the interior wall of the switch housing. <input type="checkbox"/> Allow a 24-hour "breaking in" period. Most noises associated with a new fan disappear during this time. <input type="checkbox"/> If you are using the Ceiling Fan light kit, ensure the screws securing the glassware are tight. Check that the light bulbs are also secure. <input type="checkbox"/> Ensure the canopy is a short distance from the ceiling. It should not touch the ceiling. <input type="checkbox"/> Ensure your outlet box is secure and rubber isolator pads were used between the mounting plate and outlet box.
The fan wobbles.	<ul style="list-style-type: none"> <input type="checkbox"/> Please check and follow the instructions: Chapitre No.11 Fan balance on page 14.

If you have any questions, please contact us. We will help you solve any problem.



PRODUCT WARNINGS

- ⚠ Please turn off power before install or change assembly parts.
- ⚠ The input voltage and lamps should be matched, after connecting the power line.
- ⚠ Please make sure the wiring section is insulated.
- ⚠ Professionals must install and disassemble the lamps.
- ⚠ Surge is the number 1 cause of LED light failure. Outdoor lights must have surge at fixture, pole, and breaker.
- ⚠ Surge is the number 1 cause of LED light failure. Indoor lights must have surge at fixture and breaker.

PRODUCT TROUBLESHOOTING

Issue	Check points
Light Flickers	Check all wiring for disconnections, shorts and burnt wiring and connections. Confirm steady input voltage to the light fixture, fluctuating input voltage will harm the LED driver and can lead to premature failure. Lights with photocells can have photocell tag from ambient light or light reflecting at the sensor. Simply cover the photocell completely and see if flickering continues while the photocell is covered. Call Tech Support for help if none of the above solves the issue.
Light does not work at all.	Check all wiring for disconnections, shorts and burnt wiring and connections. Confirm steady input voltage to the light fixture, fluctuating input voltage will harm the LED driver and can lead to premature failure. If input voltage is not in the voltage range of the fixture, you will need to find the source of your input voltage issue. Call Tech Support for help if none of the above solves the issue.

For more technical information, install questions, troubleshooting help or warranty claims, we have a dedicated US Tech and Customer Support Team to help solve any issues you have and can be reached by email or phone. If you need help with any of our products, we are here for you so that you are never in the dark!

BETTER LIGHTS. BETTER SUPPORT.

