

50W FULLY TUNABLE | LED LINEAR LIGHT

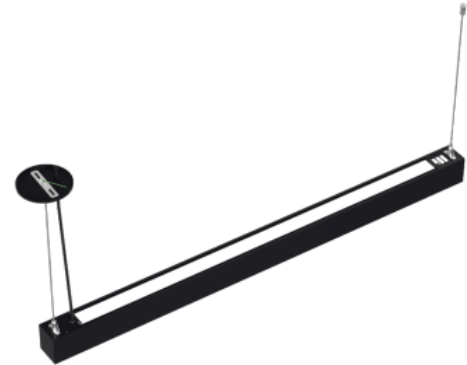


RuggedGrade

PRODUCT DESCRIPTION



The Linear series is a rugged, reliable, versatile and durable compact LED Strip Light. The linear light also offers field-adjustable lumen output in three gears: 100%, 80%, 60%; CCT options are available in three color temperatures, 3500K, 4000K and 5000K. Both are operated by a simple DIP switch. This will significantly reduce the customer's SKU and thus achieve a budget-friendly purpose.



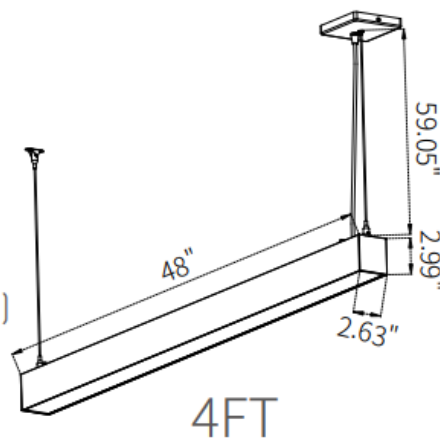
PART #: RGL-4FT-50W-UD

PRODUCT FEATURES & COMMON USE APPLICATIONS

- UL cUL certificate.
- Wattage and Color Selectable
- Lumileds or Samsung Chip, high CRI.
- Input voltage 120-277VAC.
- Output constant current lever can be adjusted through output cable with 0-10V.
- No UV or IR in the beam.
- Easy to install and operate.
- Energy saving, long lifespan.
- Light is soft and uniform, safe to eyes.
- Instant start, NO flickering, NO humming.
- Green and eco-friendly without mercury.
- Warehouse, factory, and workshops.
- Highway toll station and gas station.
- Exhibition hall.
- Gymnasium and supermarkets, etc

PRODUCT DIMENSIONS

4FT:LxWxH
48" x 2.63" x 2.99"
(1219.2x66.8x75.95mm)



Rugged Grade Lighting
Industrial Grade Solutions



LEGENDARY USA SUPPORT



US based
phone and online
customer support



888-953-2476

sales@ruggedgrade.com



PRODUCT TECHNICAL SPECIFICATIONS

OPTICAL	Input Power (Tolerance : ±10%)	Wattage Selectable: 50/35/25/15 Watts		
	Color Temperature (Color Selectable)	3500K	4000K	5000K
	Lumen (Tolerance : -10%)	6250LM	6500LM	6350LM
	Efficacy (Tolerance : -3%)	125LM/W	130LM/W	127LM/W
	CRI	>80		
	Color Consistency	<7 Steps (or <7 SDCM)		
	UGR (Glare Rating)	<28 (X=4H, Y=8H; S/H=1; Reflectances: 70%/50%/20%)		
	Diffuser Type	PC Lens		
	Beam Angle (50%) (Tolerance :	110 Degree		
ELECTRICAL	Input Voltage and Frequency	120-277VAC, 50/60Hz		
	PF (Tolerance : -3%)	≥0.9		
	THD (Tolerance : +5%)	≤20%		
	Flicker Percent	<5%		
	Driver Brand	Rugged Grade Lighting		
	Driver Model	Rugged Grade Lighting Driver		
	Driver Surge protection	L/N-PE: 2kV, L-N: 1kV		
	Dimming	0-10V dimming standard		
Optional Accessory	Motion Sensor, Surge-protective Device			
MATERIALS	LED Brand	Lumileds		
	LED Type	SMD2835		
	LED QTY	NA		
	Housing	Die-cast aluminum		
	Housing Color	Black, White, or Customized		
	Waterproof Rating	DAMP		
OTHERS	Operating Temperature	-20°C TO 45°C		
	Storage Temperature	-40°C TO 80°C		
	Operating Humidity	-40% - 45% RH		
	Storage Humidity	10% - 95% RH		
	Warranty	NA .		

PRODUCT MOUNTS & ACCESSORIES



StraightConnec tor



LConnec tor



TConnec tor



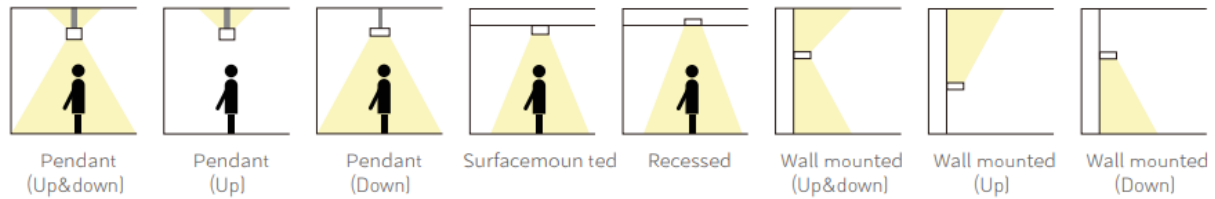
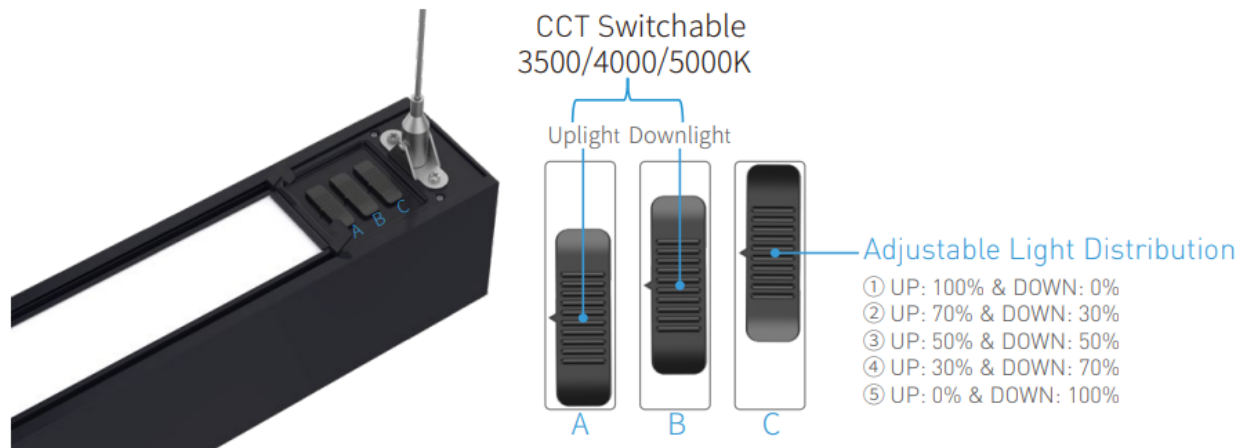
+ Connector



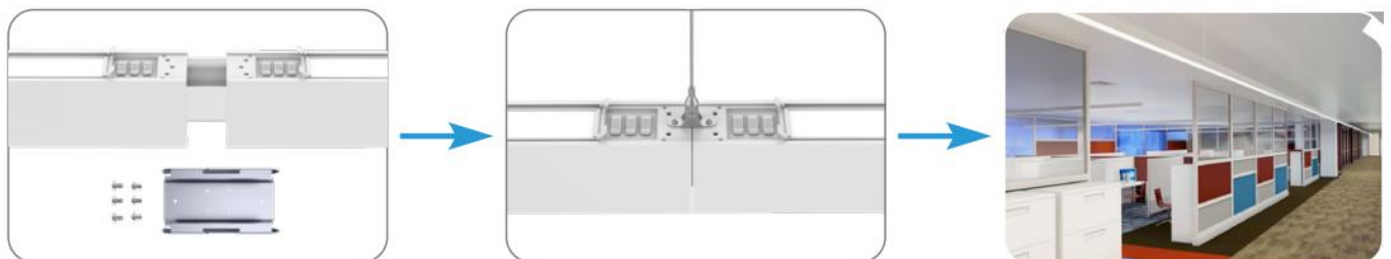
RoundCanopy & PowerCable



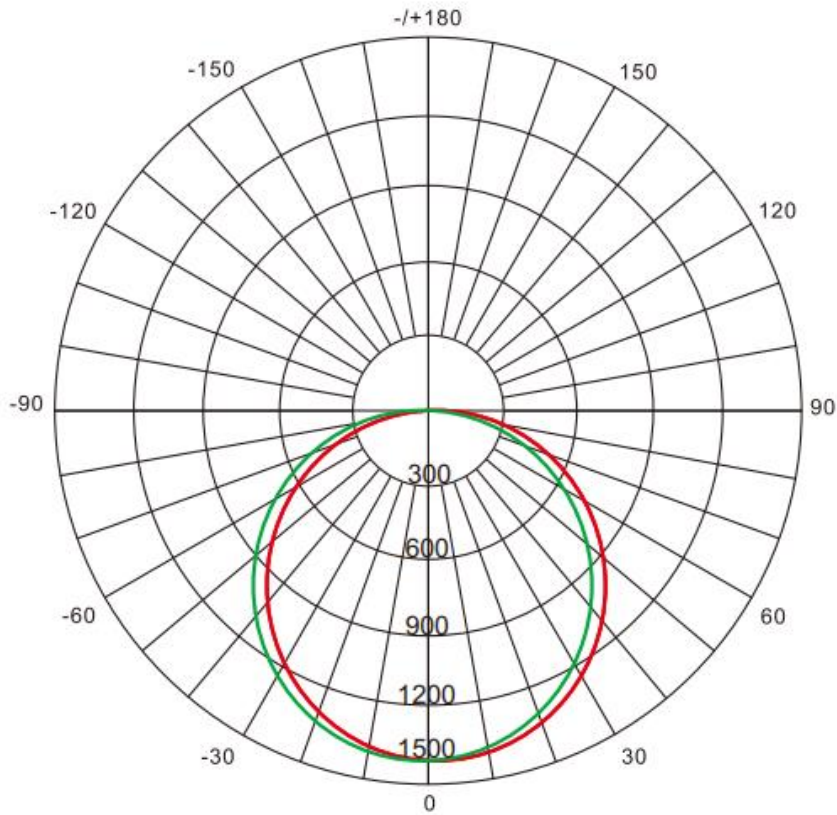
CCT & Up/Down Field Adjustable Controls



Seamless linkable connection without screws



PHOTOMETRICS



AVERAGE BEAM ANGLE(50%): 113°

Lumens:5750LM
Test Number:50W
Test Number:5000K

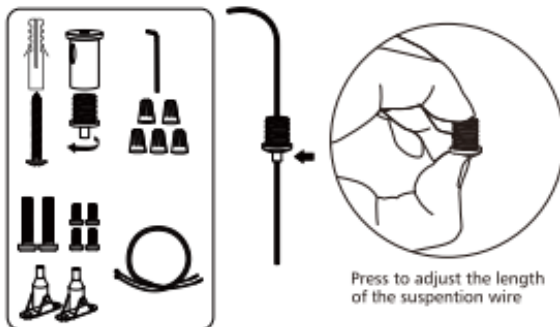
UNIT:CD

- C0/180,110.9
- C30/210,110.5
- C60/240,109.3.
- C90/270,109.1



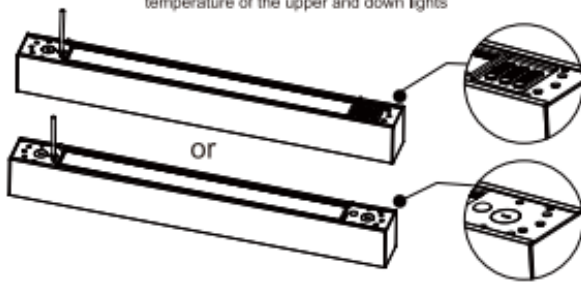
INSTALLATION INSTRUCTIONS(ROPE SUSPENSION)

■ Suspension installation with round surface plate.



Press to adjust the length of the suspension wire

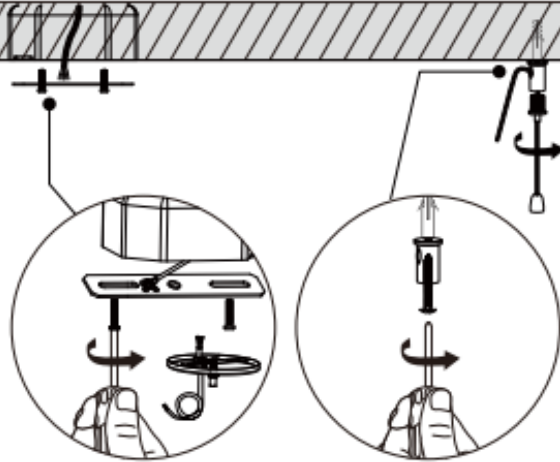
Choose the light distribution and color temperature of the upper and down lights

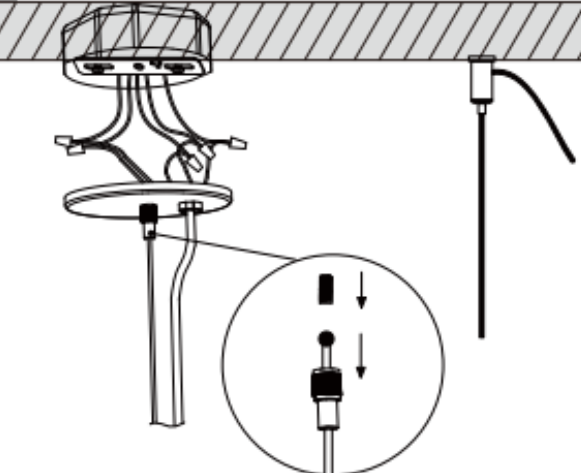


or

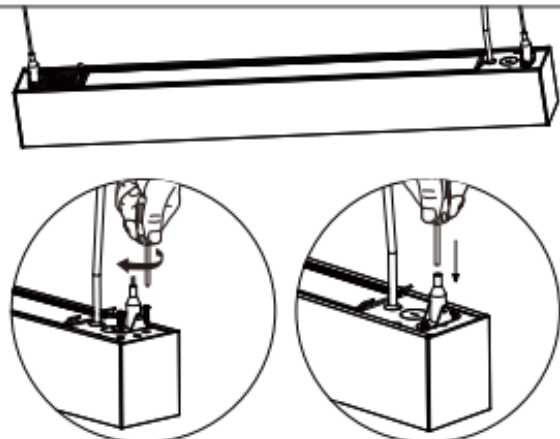
Single CCT and single power, not available to select.

1 2

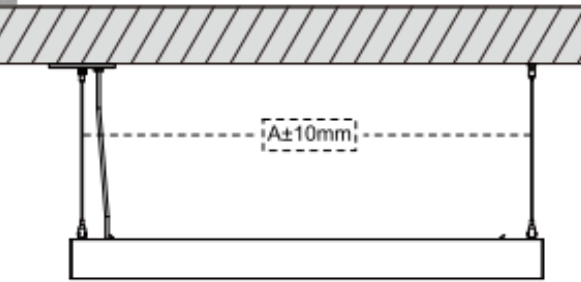




3 4



Insert the wire rope into the metal fixator



COMPLETED

SPEC	A
2FT	566mm
4FT	1175mm
8FT	2394mm

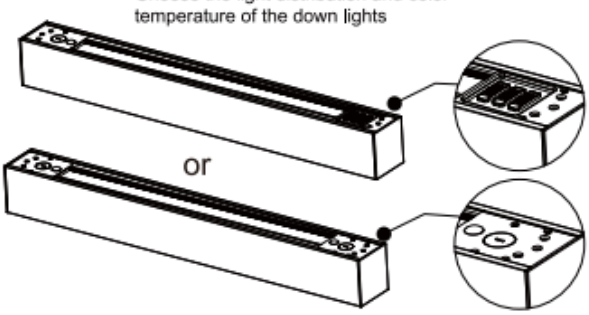
5 6



INSTALLATION INSTRUCTIONS(SURFACE MOUNT)

Surface mounted installation

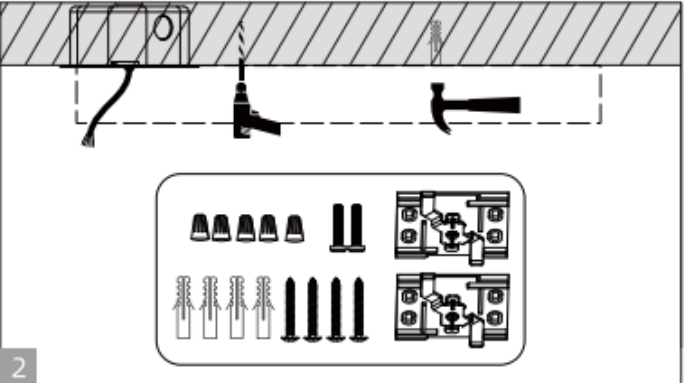
Choose the light distribution and color temperature of the down lights



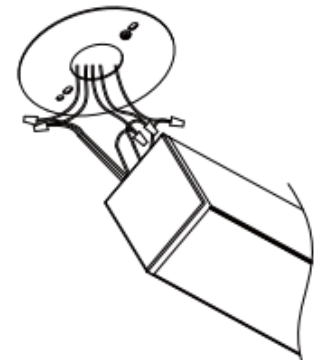
OR

Single CCT and single power, not available to select.

1 2

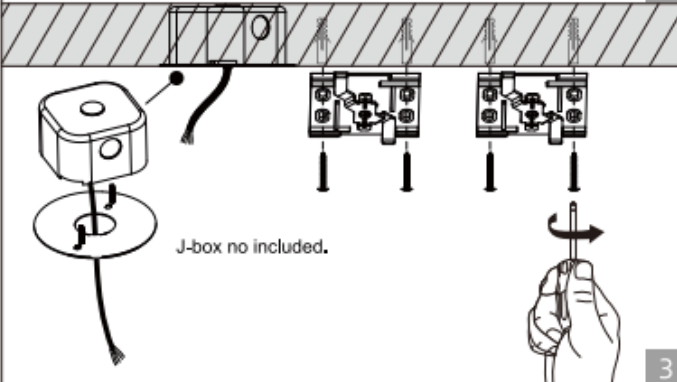


Connecting wires



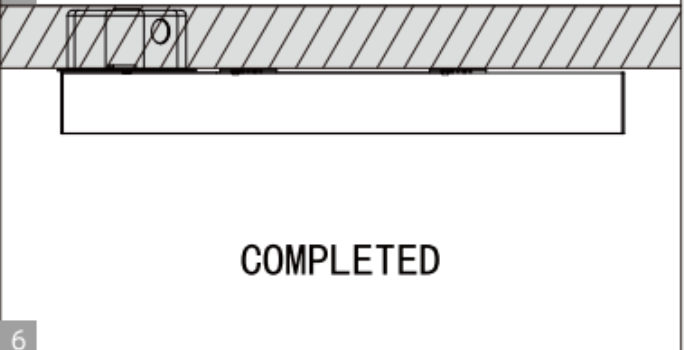
J-box no included.

3 4



Rotating the brackets to the aluminum housing groove
So that the brackets will not fall off.

5 6

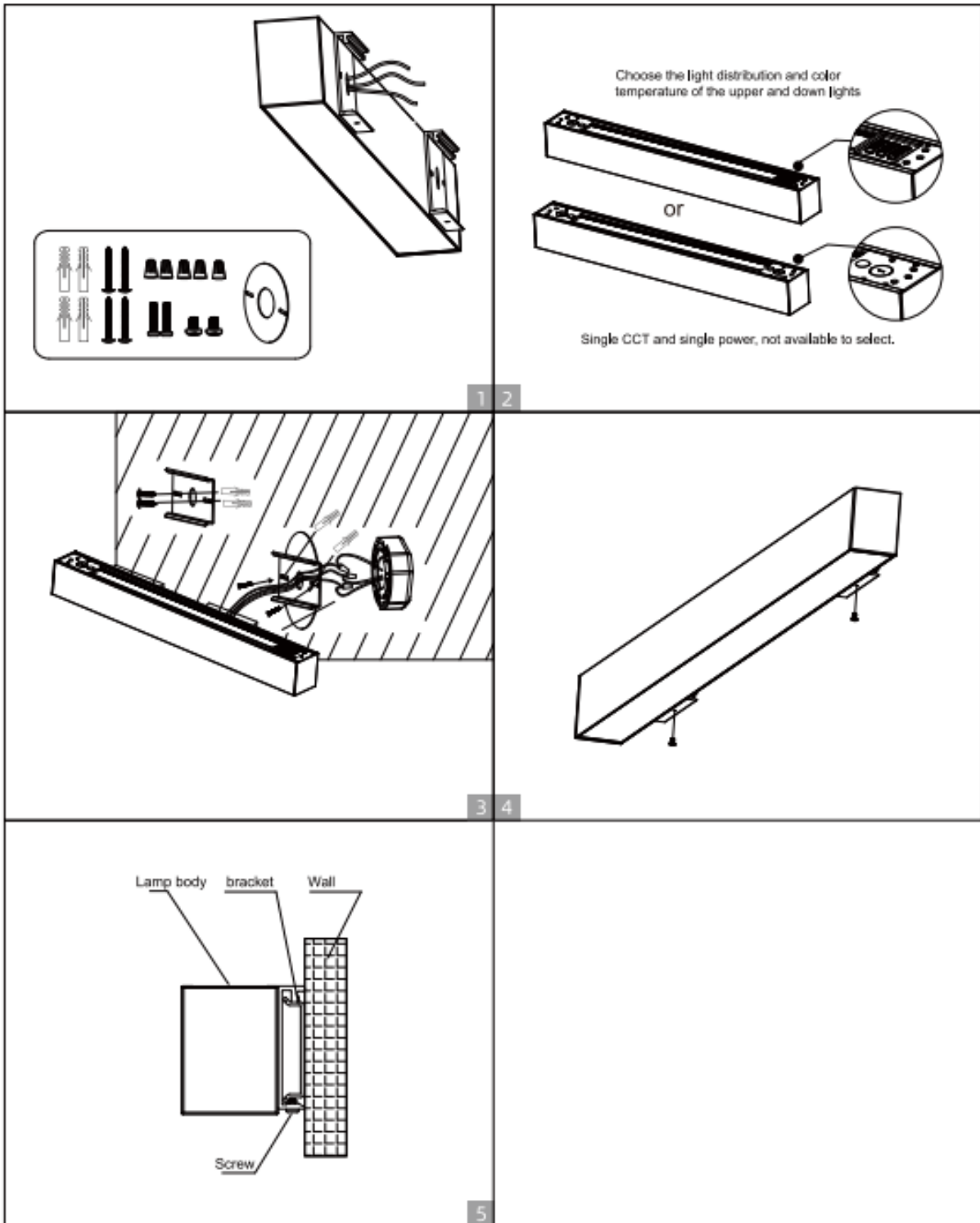


COMPLETED

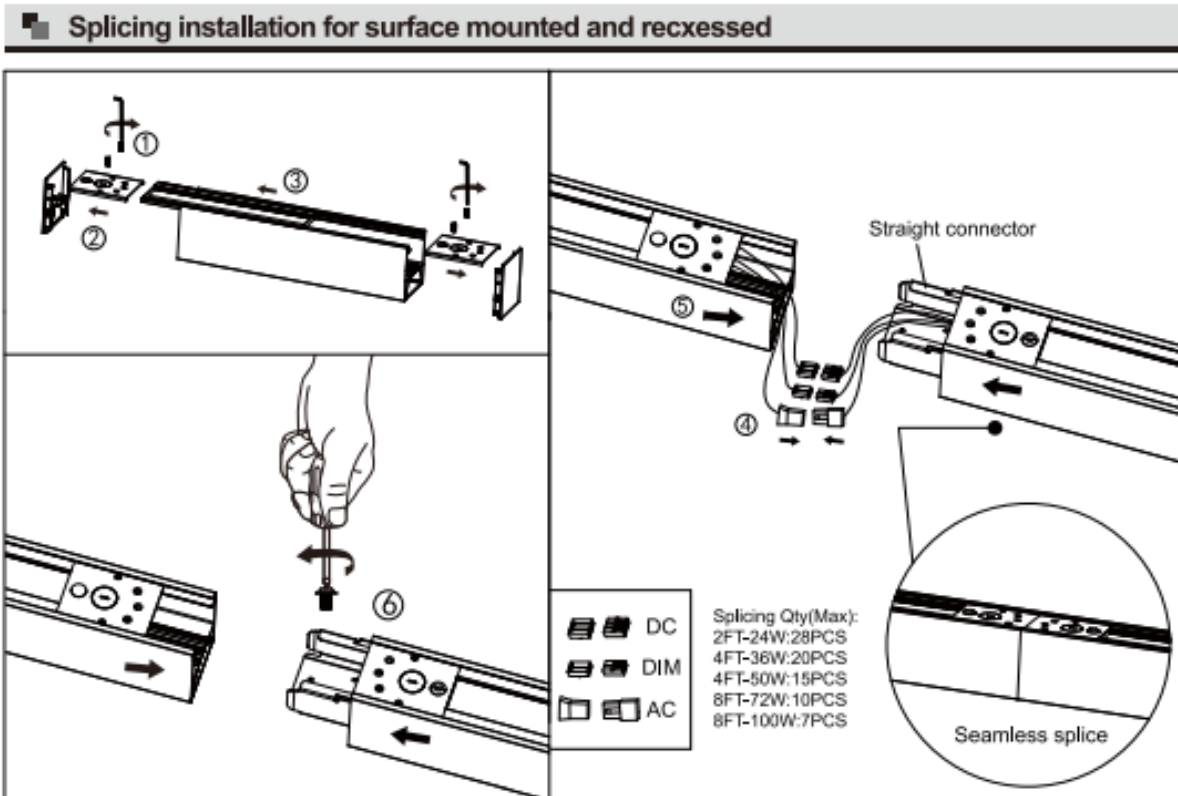
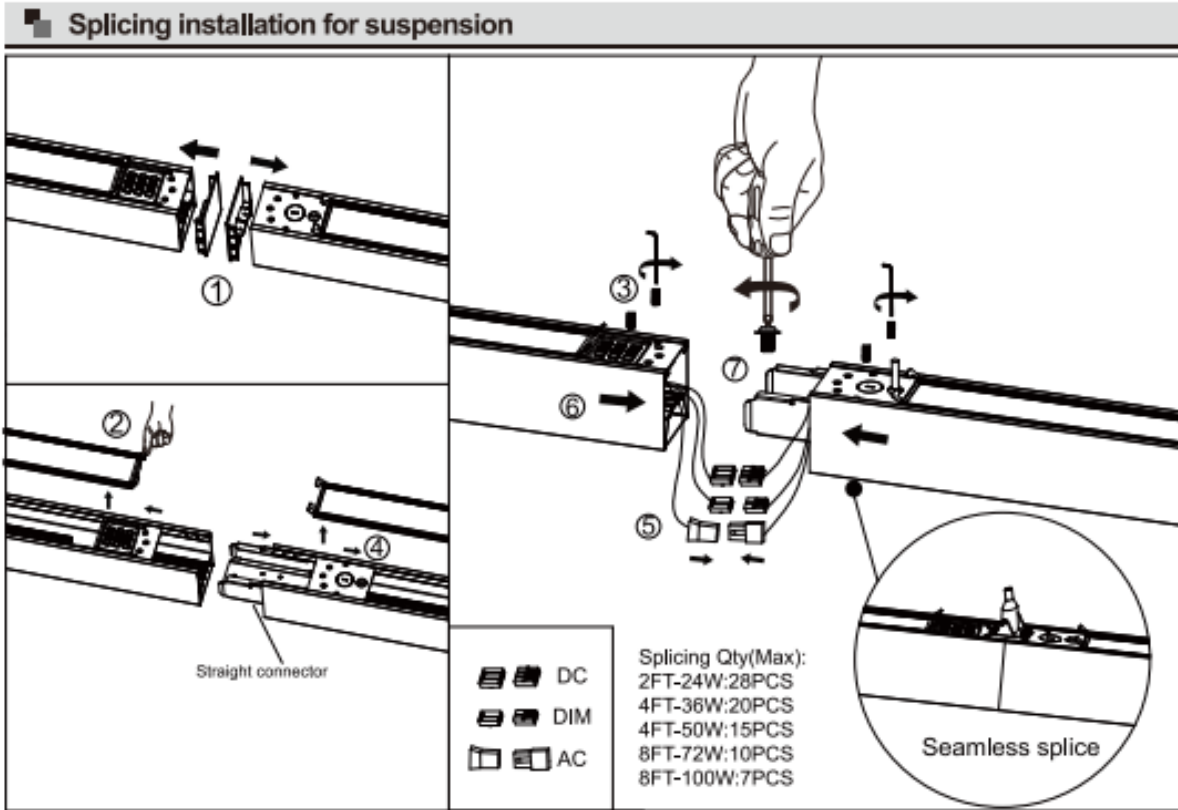


WALL MOUNT INSTALLATION

Wall mounted installation



SPLICING INSTALLATION



PRODUCT PACKAGING

Model number	L /inch	W /inch	H /inch	QTY/ctn	G.W./lbs	CTN QTY/ pallet
DB77E-4-50W- A5C3	52.3	10.2	17.3	6	46.7	/



PRODUCT WARNINGS

- ⚡ Please turn off power before install or change assembly parts.
- ⚡ The input voltage and lamps should be matched, after connecting the power line.
- ⚡ Please make sure the wiring section is insulated.
- ⚡ Professionals must install and disassemble the lamps.
- ⚡ Surge is the number 1 cause of LED light failure. Outdoor lights must have surge at fixture, pole, and breaker.
- ⚡ Surge is the number 1 cause of LED light failure. Indoor lights must have surge at fixture and breaker.

PRODUCT TROUBLESHOOTING

Issue	Check points
Light Flickers	Check all wiring for disconnections, shorts and burnt wiring and connections. Confirm steady input voltage to the light fixture, fluctuating input voltage will harm the LED driver and can lead to premature failure. Lights with photocells can have photocell tag from ambient light or light reflecting at the sensor. Simply cover the photocell completely and see if flickering continues while the photocell is covered. Call Tech Support for help if none of the above solves the issue.
Light does not work at all.	Check all wiring for disconnections, shorts and burnt wiring and connections. Confirm steady input voltage to the light fixture, fluctuating input voltage will harm the LED driver and can lead to premature failure. If input voltage is not in the voltage range of the fixture, you will need to find the source of your input voltage issue. Call Tech Support for help if none of the above solves the issue.

For more technical information, install questions, troubleshooting help or warranty claims, we have a dedicated US Tech and Customer Support Team to help solve any issues you have and can be reached by email or phone. If you need help with any of our products, we are here for you so that you are never in the dark!

**BETTER LIGHTS.
BETTER SUPPORT.**

