



### PRODUCT DESCRIPTION

The new Gooseneck Light is a unique decorative lighting fixture that allows you to update the look of your building. Elegant and curved goose neck arm, simple and low-key appearance design, can be well applied to a variety of architectural styles. Installation is quick and easy, and the 50W has a strong function that can support 3 color temperature adjustment



### PART #: RGL-GN-50W-TT

### PRODUCT FEATURES & COMMON USE APPLICATIONS

- UL cUL Premium certificate.
- IP65 driver, input voltage
- 120-277VAC.
- No UV or IR in the beam.
- Easy to install and operate.
- Energy saving, long lifespan.
- Light is soft and uniform, safe to eyes.
- Instant start, NO flickering, NO humming.
- Green and eco-friendly without mercury.
- Outdoor basketball court, tennis court.
- Badminton court, the football field.
- The school playground, stadium.
- Community leisure entertainment plaza,
- Warehouse, factory and workshops ;
- Highway toll station ;
- Meeting room, exhibition hall ;
- Gymnasium and supermarkets, etc.

### PRODUCT DIMENSIONS



Rugged Grade Lighting  
Industrial Grade Solutions



### LEGENDARY USA SUPPORT

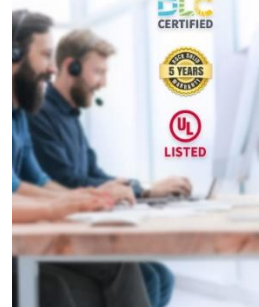


US based  
phone and online  
customer support

DLC  
CERTIFIED

5 YEARS  
WARRANTY

UL  
LISTED



888-953-2476  
sales@ruggedgrade.com

## PRODUCT TECHNICAL SPECIFICATIONS

<b>OPTICAL</b>	Input Power (Tolerance : $\pm 10\%$ )	50W/40W/30W (Wattage Selectable)
	Color Temperature (Color Tunable)	3000K/4000K/5000K(ColorSelectable)
	Lumen(Tolerance: $\pm 10\%$ )	5500LM/4400LM/3300LM
	Efficacy(Tolerance : $\pm 3\%$ )	110 LM/W
	CRI	>80
	Beam Angle (50%) (Tolerance : $\pm 15\%$ )	100 degree
	Input Voltage and Frequency	120-277VAC, 50/60Hz
	PF (Tolerance : -3%)	$\geq 0.9$
	THD (Tolerance : +5%)	$\leq 20\%$
<b>ELECTRICAL</b>	Flicker Percent	<35%
	Driver Brand	RuggedGrade X Driver
	Driver Model	RG-50W-120V
	Dimming	0-10V dimming standard
	Sensor Type	Photocell
	Optional Accessory	Photocell / Surge protector
	LED Brand	Lumileds
	LED Type	SMD2835
	LED QTY	NA
	Housing	Die-cast aluminum
<b>MATERIALS</b>	Housing Color	Black/Bronze/White
	Waterproof Rating	WET (IP65)
	Operating Temperature	-30C (-22F) to +50C (+122F)
	Storage Temperature	-30C (-22F) to +50C (+122F)
	Operating Humidity	20% - 90% RH
	Storage Humidity	10% - 95% RH
Warranty	5 years	

## PRODUCT MOUNTS & ACCESSORIES



(1) Mounting Bracket



(2) M4\*12  
Round Head Screw



(2) M4 Screw Cap



(1) Threaded  
Nut



(1) Round Base



(3) M4\*6  
Round Head Screw



(1)  $\phi 124*5\text{mm}$   
Gasket A  
(For Internal Junction Box)



(5) Wire Nuts



PRODUCT IMAGES & ACTUAL INSTALLATIONS



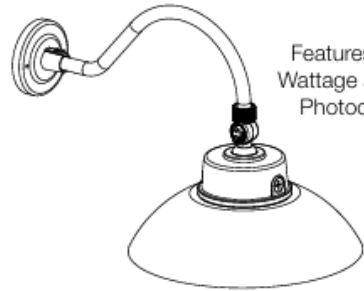
## INSTALLATION GUIDE

### INSTALLATION AND SAFETY INSTRUCTIONS

**IMPORTANT: Read before installing fixture. Retain for future reference.**

#### WARNING: Risk of Fire or Electric Shock

- Commercial installation, service and maintenance of luminaires should be performed by a qualified licensed electrician. If you are unsure about the installation or maintenance of the luminaires, consult a qualified licensed electrician and check your local electrical code.
- Turn OFF power at fuse or circuit breaker before wiring fixture to power supply.
- Turn OFF power when you perform any maintenance.
- Install this kit only in the luminaire that have the construction features and dimensions shown.
- To prevent wiring damage of abrasion, do not expose wiring to edges of sheet metal or other sharp objects.
- Do not alter, relocate, or remove wiring, lampholders, power supply, or any other electrical component.
- Suitable for wet locations.
- Minimum 75° C supply conductors.
- Suitable for operation in ambient not exceeding 50° C.
- This product must be installed in accordance with the applicable installation code by a person familiar with the construction and operation of the product and the hazards involved.



Features: Adjustable Wattage and CCT, with Photocell Function

#### PARTS FOR EXTERNAL JUNCTION BOX

- (1) ø113\*10mm Gasket B
- (2) M4\*14 Round Head Screw
- (2) #10, 1 inch American Screw

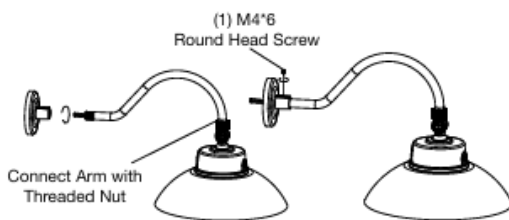
#### PARTS INCLUDED

- (1) Mounting Bracket
- (2) M4\*12 Round Head Screw
- (2) M4 Screw Cap
- (1) Threaded Nut
- (1) Round Base
- (3) M4\*6 Round Head Screw
- (1) ø124\*5mm Gasket A (For Internal Junction Box)
- (5) Wire Nuts

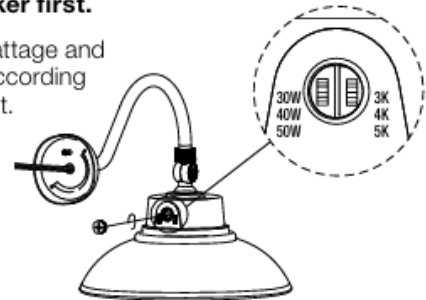
#### INSTALLATION: Internal Junction Box

**IMPORTANT: Always turn off the power supply from the main circuit breaker first.**

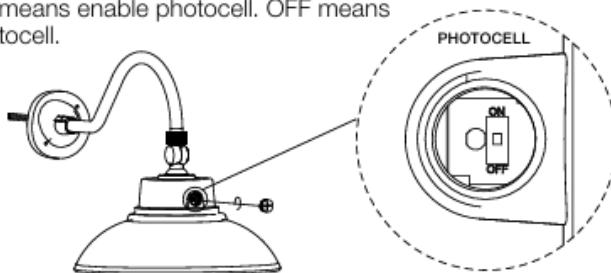
**STEP 1:** Mount and screw the base on the end of gooseneck arm with (1) M4\*6 round head screw.



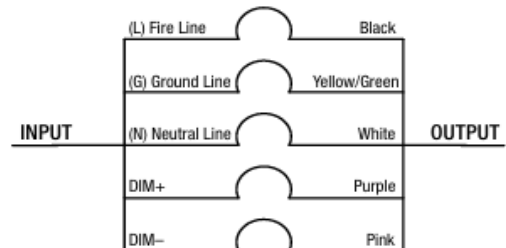
**STEP 2:** Adjust wattage and CCT with switch according to your requirement.



**STEP 3:** Choose photocell function by ON/OFF switch. ON means enable photocell. OFF means disable photocell.



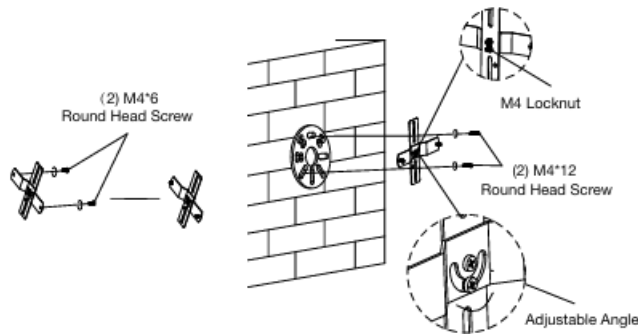
#### WIRING DIAGRAM



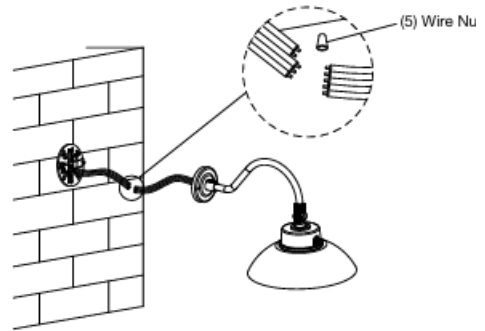
## INSTALLATION GUIDE

### INSTALLATION: Internal Junction Box (continued)

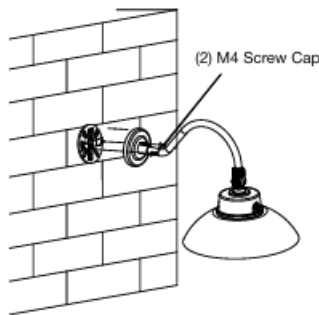
**STEP 4:** Screw (2) M4\*6 round head screws into mounting bracket. Secure  $\phi 124 \times 5$ mm gasket on the wall and fix the mounting bracket with (2) M4\*12 round head screws.



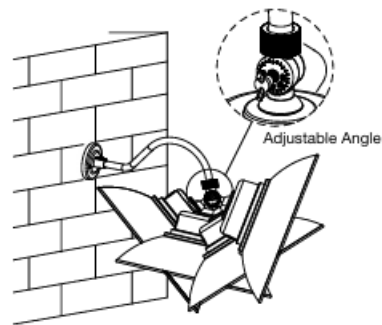
**STEP 5:** Connect the wires with secure with wire nut. Refer to the wiring diagram on page one.



**STEP 6:** Pass screws on mounting bracket through two holes on round base and fix them tightly with (2) M4 screw caps.



**STEP 7:** Loosen butterfly bolt and swivel to adjust angle. Tighten when desired position is reached.

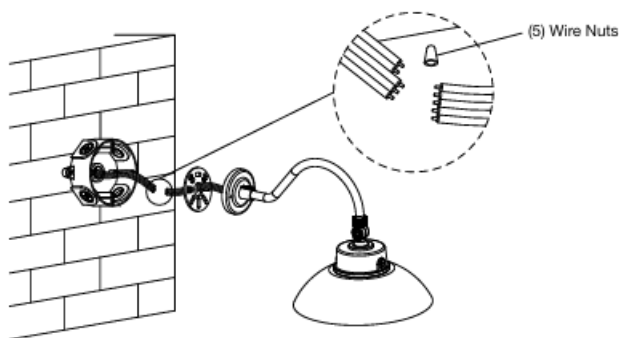


### INSTALLATION: External Junction Box

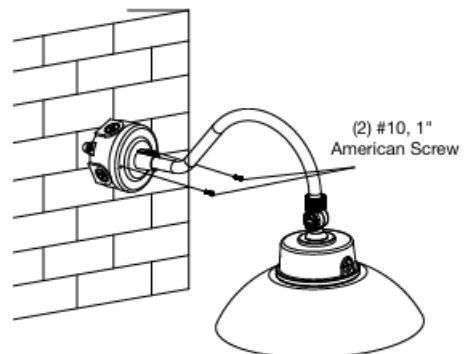
**IMPORTANT:** Always turn off the power supply from the main circuit breaker first.

Follow **STEPS 1 – 3** on page one.

**STEP 4:** Secure  $\phi 113 \times 10$ mm gasket on round base, pass wires through gasket. Connect wires with and secure with wire nuts. Refer to the wiring diagram on page one.



**STEP 5:** Fix base and junction box with #10, 1 inch American screw.



For the last External Junction Box Installation STEP, follow STEP 7 above.

PRODUCT WARNINGS

- ⚡ Please turn off power before install or change assembly parts.
- ⚡ The input voltage and lamps should be matched, after connecting the power line.
- ⚡ Please make sure the wiring section is insulated.
- ⚡ Professionals must install and disassemble the lamps.
- ⚡ Surge is the number 1 cause of LED light failure. Outdoor lights must have surge at fixture, pole, and breaker.
- ⚡ Surge is the number 1 cause of LED light failure. Indoor lights must have surge at fixture and breaker.

PRODUCT TROUBLESHOOTING

Issue	Check points
Light Flickers	Check all wiring for disconnections, shorts and burnt wiring and connections. Confirm steady input voltage to the light fixture, fluctuating input voltage will harm the LED driver and can lead to premature failure. Lights with photocells can have photocell tag from ambient light or light reflecting at the sensor. Simply cover the photocell completely and see if flickering continues while the photocell is covered. Call Tech Support for help if none of the above solves the issue.
Light does not work at all.	Check all wiring for disconnections, shorts and burnt wiring and connections. Confirm steady input voltage to the light fixture, fluctuating input voltage will harm the LED driver and can lead to premature failure. If input voltage is not in the voltage range of the fixture, you will need to find the source of your input voltage issue. Call Tech Support for help if none of the above solves the issue.

For more technical information, install questions, troubleshooting help or warranty claims, we have a dedicated US Tech and Customer Support Team to help solve any issues you have and can be reached by email or phone. If you need help with any of our products, we are here for you so that you are never in the dark!

**BETTER LIGHTS.  
BETTER SUPPORT.**

