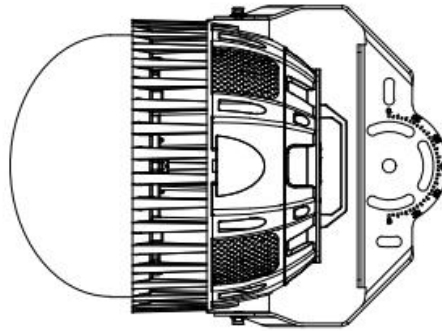


SINGLE LIGHT EPA RATING

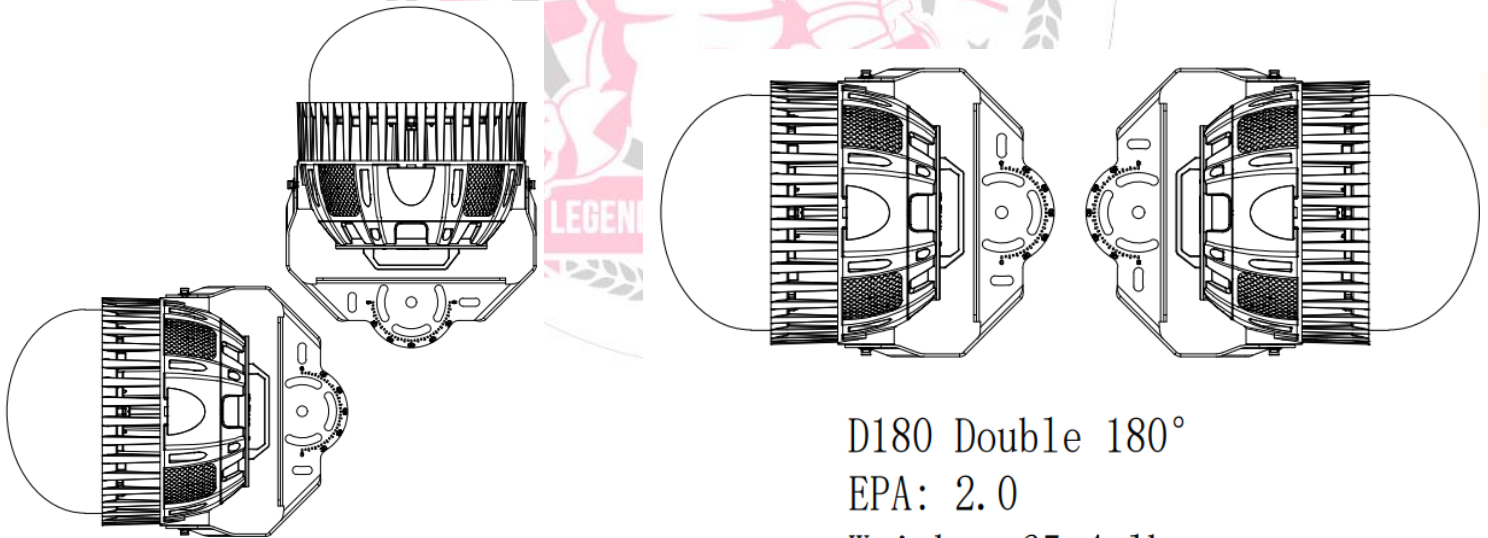


S Single

EPA: 1.0

Weight: 32.7 lbs.

DUAL LIGHT EPA RATING



D180 Double 180°

EPA: 2.0

Weight: 65.4 lbs.

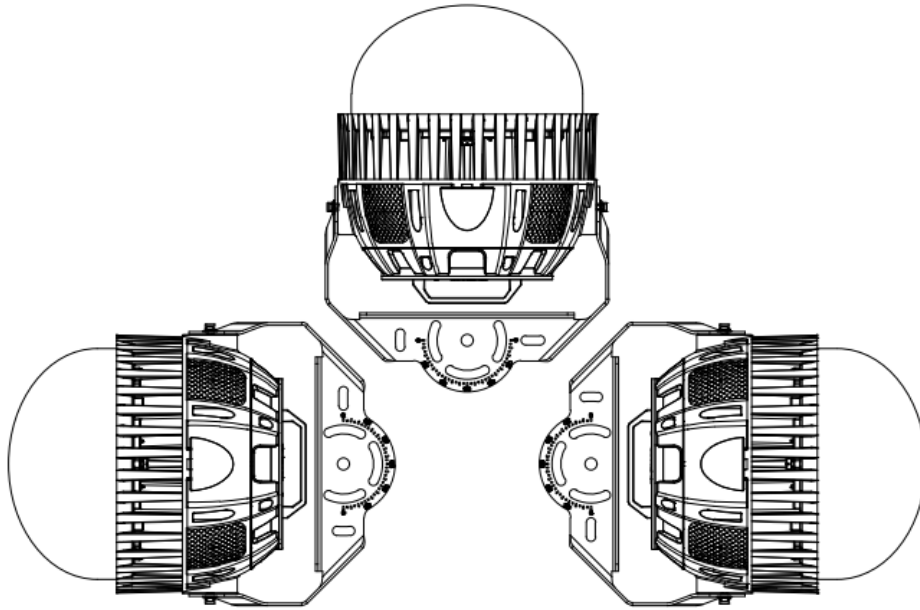
D90 Double 90°

EPA: 2.6

Weight: 65.4 lbs.

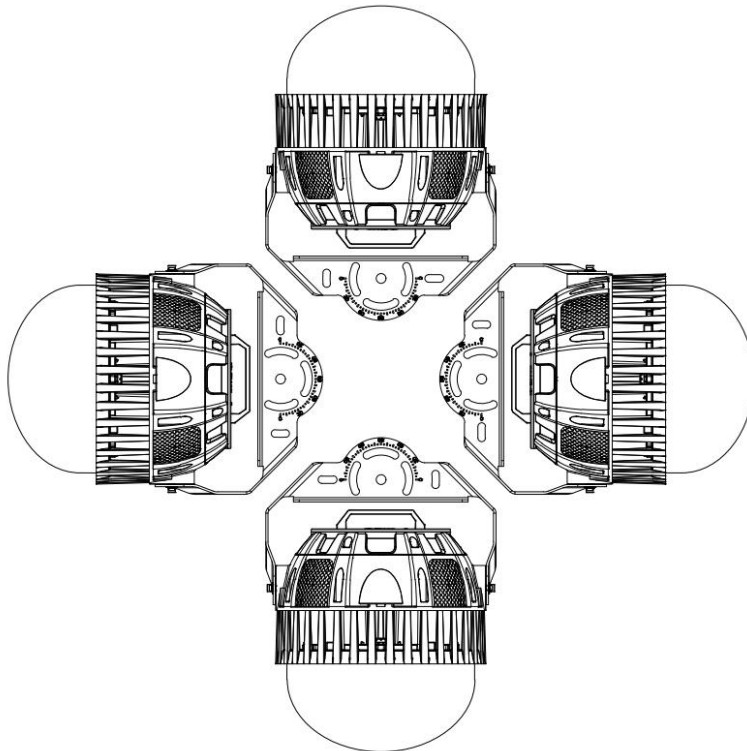


TRIPLE LIGHT EPA RATING



T90 Triple 90°
EPA: 3.6
Weight: 98.1 lbs.

QUAD LIGHT EPA RATING



Q90 Quad 90°
EPA: 3.6
Weight: 130.8 lbs.



PRODUCT WARNINGS

- ⚡ Please turn off power before install or change assembly parts.
- ⚡ The input voltage and lamps should be matched, after connecting the power line.
- ⚡ Please make sure the wiring section is insulated.
- ⚡ Professionals must install and disassemble the lamps.
- ⚡ Surge is the number 1 cause of LED light failure. Outdoor lights must have surge at fixture, pole, and breaker.
- ⚡ Surge is the number 1 cause of LED light failure. Indoor lights must have surge at fixture and breaker.

PRODUCT TROUBLESHOOTING

Issue	Check points
Light Flickers	Check all wiring for disconnections, shorts and burnt wiring and connections. Confirm steady input voltage to the light fixture, fluctuating input voltage will harm the LED driver and can lead to premature failure. Lights with photocells can have photocell tag from ambient light or light reflecting at the sensor. Simply cover the photocell completely and see if flickering continues while the photocell is covered. Call Tech Support for help if none of the above solves the issue.
Light does not work at all.	Check all wiring for disconnections, shorts and burnt wiring and connections. Confirm steady input voltage to the light fixture, fluctuating input voltage will harm the LED driver and can lead to premature failure. If input voltage is not in the voltage range of the fixture, you will need to find the source of your input voltage issue. Call Tech Support for help if none of the above solves the issue.

For more technical information, install questions, troubleshooting help or warranty claims, we have a dedicated US Tech and Customer Support Team to help solve any issues you have and can be reached by email or phone. If you need help with any of our products, we are here for you so that you are never in the dark!

BETTER LIGHTS. BETTER SUPPORT.





CERTIFIED



LISTED



LEGENDARY RUGGEDGRADE QUALITY



**US based
phone and online
customer support**



**5 YEARS
WARRANTY**