

## PRODUCT DESCRIPTION

Our new Wrap Around fixture is back and better than ever with fully tunable technology! Now wattage and color selectable this light is full customizable to fit your lighting needs.



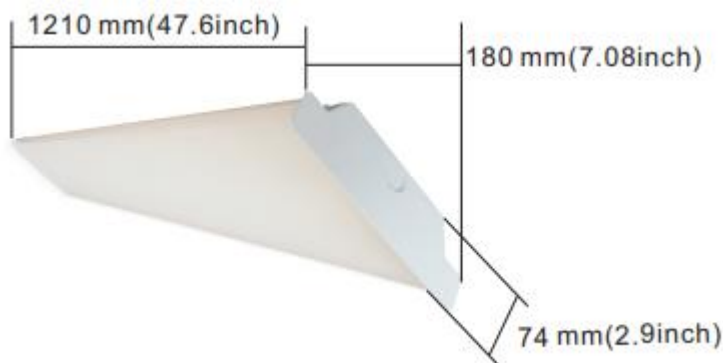
## PART#: RGL-4FT-40W-TT



## PRODUCT FEATURES & COMMON USE APPLICATIONS

- UL cUL certificate.
- Lumileds or Samsung Chip, high CRI.
- Input voltage 120-277VAC.
- Output constant current lever can be adjusted through output cable with 0-10V.
- No UV or IR in the beam.
- Easy to install and operate.
- Energy saving, long lifespan.
- Light is soft and uniform, safe to eyes.
- Instant start, NO flickering, NO humming.
- Green and eco-friendly without mercury.
- Warehouse, factory, and workshops.
- Highway toll station and gas station.
- Exhibition hall.
- Gymnasium and supermarkets, etc

## PRODUCT DIMENSIONS



## LEGENDARY USA SUPPORT



US based  
phone and online  
customer support



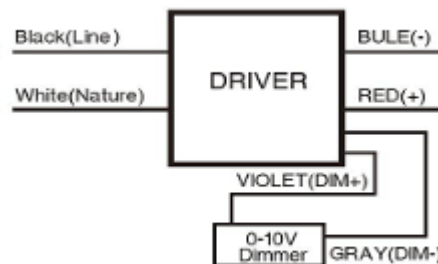
5 YEARS  
WARRANTY



## PRODUCT TECHNICAL SPECIFICATIONS

<b>OPTICAL</b>	Input Power (Tolerance : ±10%)	30/35/40W(Wattage Selectable)		
	Color Temperature	3500K	4000K	5000K
	Lumen (Tolerance : -10%)	5080LM	5200LM	5120LM
	Efficacy (Tolerance : -3%)	127LM/W	130LM/W	128LM/W
	CRI	>80		
	Color Consistency	< 7 Steps (or <7 SDCM)		
	UGR (Glare Rating)	<28 (X=4H, Y=8H; S/H=1; Reflectances: 70%/50%/20%)		
	Diffuser Type	PC Lens		
Beam Angle (50%) (Tolerance :	120 Degree			
<b>ELECTRICAL</b>	Input Voltage and Frequency	120-277VAC, 50/60Hz		
	PF (Tolerance : -3%)	≥0.95		
	THD (Tolerance : +5%)	≤20%		
	Driver Efficacy	< 90%		
	Driver Brand	Rugged Grade Lighting		
	Driver Model	Rugged Grade Lighting Driver		
	Driver Surge protection	L/N-PE: 6kV, L-N: 4kV		
	Dimming	0-10V		
	Optional Accessory	NA		
<b>MATERIALS</b>	LED Brand	Lumileds		
	LED Type	SMD2835		
	LED QTY	100PCS		
	Housing	PC		
	Housing Color	Grey		
	Waterproof Rating	WET (IP65)		
<b>OTHERS</b>	Operating Temperature	-40F TO 104F		
	Storage Temperature	-40F TO 104F		
	Operating Humidity	20% - 90% RH		
	Storage Humidity	10% - 95% RH		
	Warranty	5 years warranty with 24/7 operating hours Luminaire lifetime at		

## WIRING DIAGRAM



PRODUCT IMAGES & ACTUAL INSTALLATIONS





### PRODUCT PACKAGING

Carton Size(mm)	Qty / Carton	Net Weight / Carton	Gross Weight / Carton
1250x326x207	4PC	2.66kg	2.72kg

\*Tolerance of Carton Size:  $\pm 15$  MM, Tolerance of Weight:  $\pm 10\%$ .



## SURFACE INSTALLATION GUIDE

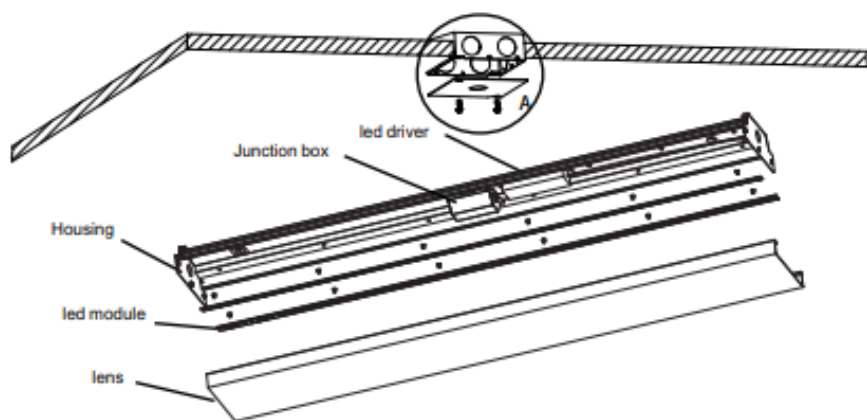
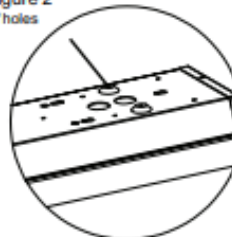


Figure 1  
Concealed outlet box

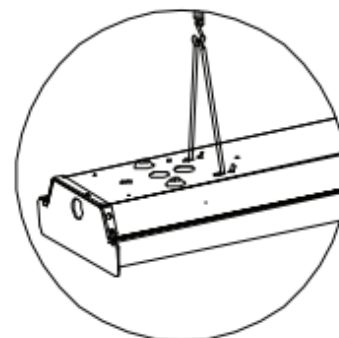
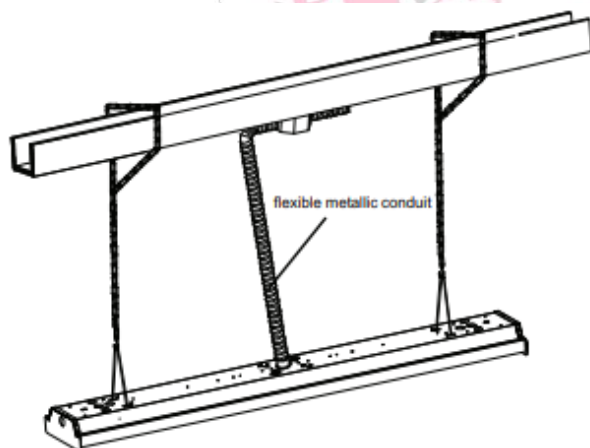


Figure 2  
Knock-off holes



1. Remove product from packaging
2. Remove lens by pulling from one side of the fixture and hinge on the other
3. For mounting, using the provided mounting holes on each end of the fixture housing.
4. Make electrical connections according to code.
5. Install channel cover
6. Install lens on one side of the fixture and rotate to engage the opposite side

## CHAIN INSTALLATION GUIDE



1. Remove product from packaging
2. Remove lens by pulling from one side of the fixture and hinge on the other
3. For mounting, using the provided mounting holes on each end of the fixture housing.
4. Make electrical connections according to code.
5. Install channel cover
6. Install lens on one side of the fixture and rotate to engage the opposite side



PRODUCT WARNINGS

- ⚡ Please turn off power before install or change assembly parts.
- ⚡ The input voltage and lamps should be matched, after connecting the power line.
- ⚡ Please make sure the wiring section is insulated.
- ⚡ Professionals must install and disassemble the lamps.
- ⚡ Surge is the number 1 cause of LED light failure. Outdoor lights must have surge at fixture, pole, and breaker.
- ⚡ Surge is the number 1 cause of LED light failure. Indoor lights must have surge at fixture and breaker.

PRODUCT TROUBLESHOOTING

Issue	Check points
Light Flickers	Check all wiring for disconnections, shorts and burnt wiring and connections. Confirm steady input voltage to the light fixture, fluctuating input voltage will harm the LED driver and can lead to premature failure. Lights with photocells can have photocell tag from ambient light or light reflecting at the sensor. Simply cover the photocell completely and see if flickering continues while the photocell is covered. Call Tech Support for help if none of the above solves the issue.
Light does not work at all.	Check all wiring for disconnections, shorts and burnt wiring and connections. Confirm steady input voltage to the light fixture, fluctuating input voltage will harm the LED driver and can lead to premature failure. If input voltage is not in the voltage range of the fixture, you will need to find the source of your input voltage issue. Call Tech Support for help if none of the above solves the issue.

For more technical information, install questions, troubleshooting help or warranty claims, we have a dedicated US Tech and Customer Support Team to help solve any issues you have and can be reached by email or phone. If you need help with any of our products, we are here for you so that you are never in the dark!

**BETTER LIGHTS.  
BETTER SUPPORT.**

