

# 40W Tucana III | LED CUT OFF WALL PACK LIGHT



## PRODUCT DESCRIPTION

Tucana III adds 0-10v dimmability, top level DLC 5.1 Premium certification, with an Ultra-Efficient 140+ lumens per watt and Dark Sky Compliance, and a new clean design that hides any screws from visibility



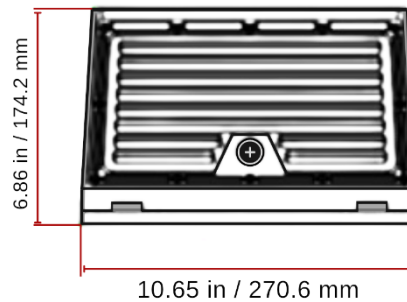
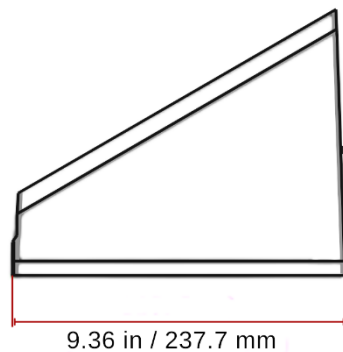
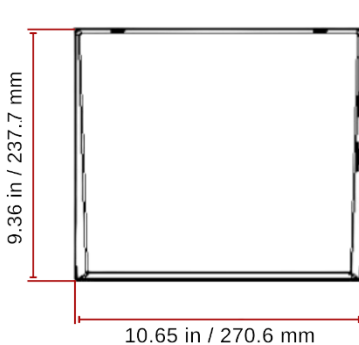
DLC #:

RGL-TUCANA-3-TT-40W

## PRODUCT FEATURES & COMMON USE APPLICATIONS

- UL, cUL, certificate
- Lumileds 2835, high CRI.
- Input voltage 120-277VAC .
- Output constant current lever can be adjusted throughout cable with 0-10V.
- No UV or IR in the beam.
- Wattage adjustable feature enabled with wattage dial device (sold separately).
- Easy to install and operate.
- Energy saving, long lifespan.
- Light is soft and uniform, safe to eyes.
- Instant start, NO flickering, NO humming.
- Entrance lighting, courtyard lighting;
- Industrial lighting, Outdoor landscape lighting;
- Building, The hotel;
- Wall lighting area and so on.

## PRODUCT DIMENSIONS



### LEGENDARY USA SUPPORT



US based phone and online customer support



5 YEARS WARRANTY



LISTED



Rugged Grade Lighting  
Industrial Grade Solutions



888-953-2476  
sales@ruggedgrade.com

## PRODUCT TECHNICAL SPECIFICATIONS

<b>OPTICAL</b>	Input Power (Tolerance : ±10%)	40W(Wattage Selectable 40W/20W/10W)		
	Color Temperature	3000K	4000K	5000K
	Lumen (Tolerance : -10%)	5563LM	5844LM	5720LM
	Efficacy (Tolerance : -3%)	139LM/W	146LM/W	143LM/W
	CRI	>80		
	Color Consistency	< 7 Steps (or <7 SDCM)		
	BUG	B3-U0-G2		
	Diffuser Type	PC Lens		
	Distribution Pattern	Type II		
Beam Angle (50%) (Tolerance :	H120°V85 Degree			
<b>ELECTRICAL</b>	Input Voltage and Frequency	120-277VAC, 50/60Hz		
	PF (Tolerance : -3%)	≥0.9		
	THD (Tolerance : +5%)	≤20%		
	Flicker Percent	< 30%		
	Driver Brand	Rugged Grade Lighting		
	Driver Model	Rugged Grade AS Driver		
	Driver Surge protection	L-N: 4kV , L&N-E: 4kV		
	Dimming	0-10V dimming standard		
Optional Accessory	Motion Sensor, Surge-protective Device			
<b>MATERIALS</b>	LED Brand	Lumileds		
	LED Type	SMD2835		
	LED QTY	104*2PCS		
	Housing	Die-cast aluminum		
	Housing Color	Bronze		
	Waterproof Rating	WET (IP65)		
<b>OTHERS</b>	Operating Temperature	-40°C TO 50°C; Sensor:-25°C TO 50°C; emergency:0°C TO 50°C		
	Storage Temperature	-40°C TO 80°C		
	Operating Humidity	20% - 90% RH		
	Storage Humidity	10% - 95% RH		
	Warranty	5 years warranty with 24/7 operating hours Luminaire lifetime		

## PRODUCT MOUNTS & ACCESSORIES

### SENSOR INSTALLATION

1. Remove plastic cap
2. Make sure the 3 prongs have good contact with contactors in receptacle



Rugged Grade Lighting  
Industrial Grade Solutions



888-953-2476  
sales@ruggedgrade.com



## PRODUCT IMAGES & ACTUAL INSTALLATIONS



### Color temperature adjustable instruction

- 1, The color temperature of the light turns to 3000K when the DIP switch is set to 3K;
- 2, The color temperature of the light turns to 4000K when the DIP switch is set to 4K;
- 3, The color temperature of the light turns to 5000K when the DIP switch is set to 5K;

**Note:** Please turn off the power before adjusting the color temperature.

### Wattage adjustable instruction

The power of the light will change to the corresponding wattage when the DIP switch is set to L/ M/ H.  
Adjustable wattage range: 25%-100%.

**Note:** Please turn off the power before adjusting the wattage.



### Photocell:

Connection of male and female connector will help to turn on the photocell.(Fig:1)

Disconnection of male and female connector will help to turn off the photocell.(Fig:2)



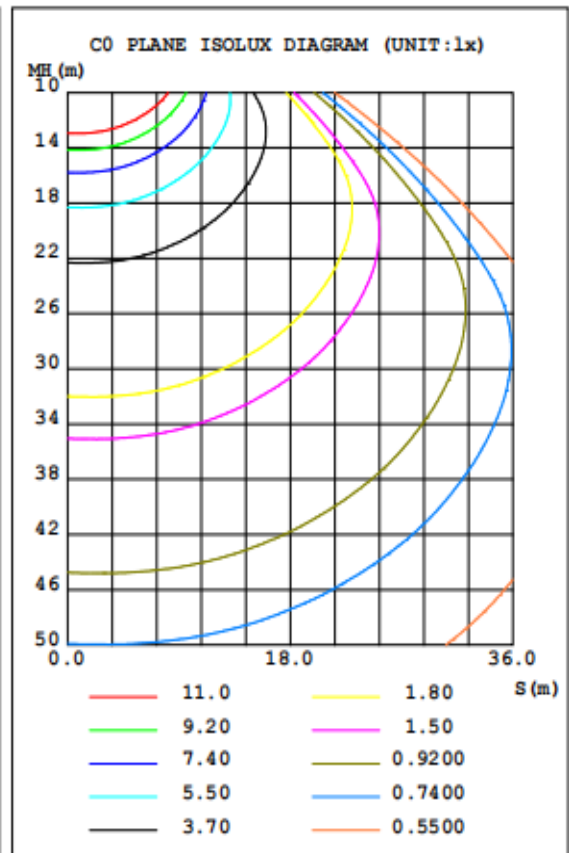
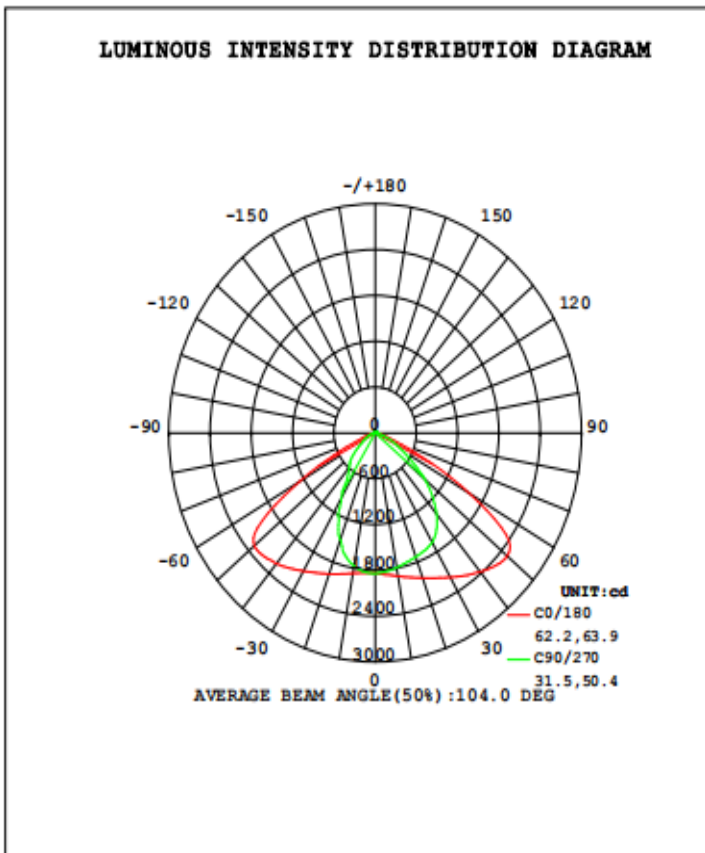


### PHOTOMETRICS

#### LUMINAIRE PHOTOMETRIC TEST REPORT

Test:U:119.70V I:0.3496A P:41.457W PF:0.9907 Freq:60.01Hz		
Lamp Flux:5563.77x1 lm		
NAME:	TYPE:	WEIGHT:
SPEC.:	DIM.:	SERIAL No.:
MFR.: EVERFINE	SUR.:	Shielding Angle:

DATA OF LAMP		PHOTOMETRIC DATA			
MODEL		Imax (cd)	2507	S/MH (C0/180)	1.81
NOMINAL POWER (W)	40	LOR (%)	100.0	S/MH (C90/270)	0.93
RATED VOLTAGE (V)	120	TOTAL FLUX (lm)	5563.8	$\eta$ UP, DN (C0-180)	0.3,56.7
NOMINAL FLUX (lm)	5563.77	CIE CLASS	DIRECT	$\eta$ UP, DN (C180-360)	0.2,42.7
LAMPS INSIDE	1	$\eta$ up (%)	0.5	CIBSE SHR NOM	1.25
TEST VOLTAGE (V)	120	$\eta$ down (%)	99.5	CIBSE SHR MAX	1.35



## DLC SPECS



### RGL-TUCANA-3-TT-40WBT2DA1-abcW30/40/50

Manufacturer: RuggedGrade  
Brand: RuggedGrade

#### PRODUCT OVERVIEW

Model Number	RGL TUCANA 3 TT 40WBT2DA1 abcW30/40/50
Classification	Premium
Primary Use	Outdoor Full Cutoff Wall Mounted Area Luminaires
Reported Input Wattage	40.4 W
Reported Light Output	5701 lm
Reported CCT	3000 K
Reported CRI (Ra)	83
Product ID	S-6K99Y2
DLC Family Code	EMWBOA
Listing Status	Listed
Date Qualified	2024-05-07

#### PRODUCT INFORMATION

Qualified Product List	Solid State Lighting
Technical Requirements Version	5.1
Product ID	S-6K99Y2
Manufacturer	RuggedGrade
Brand	RuggedGrade
Model Number	RGL TUCANA 3 TT 40WBT2DA1 abcW30/40/50
Parent	Yes
Classification	Premium

#### PRODUCT CATEGORIZATION

[VIEW DETAILS](#)

#### CONTROL FEATURES

[VIEW DETAILS](#)

#### REPORTED PHOTOMETRIC PERFORMANCE

Reported Light Output	5701 lm
Reported Efficacy (AC)	141.01 lm/W
Reported CCT	3000 K
Reported CRI (Ra)	83
Reported RS	8
Reported IES Rf	85
Reported IES Rg	96
Reported IES Rcs,h1	-11

#### REPORTED ELECTRICAL PERFORMANCE

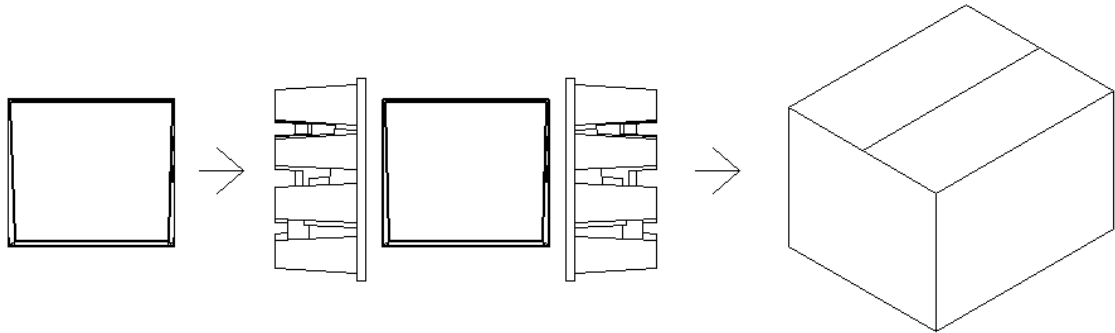
Reported Input Wattage	40.4 W
Reported Total Harmonic Distortion	15 %
Reported Power Factor	0.9
Reported Minimum Input Wattage	10 W
Reported Maximum Input Wattage	40.4
Reported Default Input Wattage	40.4 W
Voltage Range	120-277 V



## PRODUCT PACKAGING

	Size	Qty / Carton	Net Weight / Carton	Gross Weight / Carton
Outer box	337*321*215mm (13.3"*12.6"*8.5")	1 PCS	3.4KG (7.5lb)	4.5KG (9.9lb)

\*Tolerance of Carton Size: ±15 MM, Tolerance of Weight: ±10%.



## PRODUCT WARNINGS

- ⚡ Please turn off power before install or change assembly parts.
- ⚡ The input voltage and lamps should be matched, after connecting the power line.
- ⚡ Please make sure the wiring section is insulated.
- ⚡ Professionals must install and disassemble the lamps.
- ⚡ Surge is the number 1 cause of LED light failure. Outdoor lights must have surge at fixture, pole, and breaker.
- ⚡ Surge is the number 1 cause of LED light failure. Indoor lights must have surge at fixture and breaker.

## PRODUCT TROUBLESHOOTING

Issue	Check points
Light Flickers	Check all wiring for disconnections, shorts and burnt wiring and connections. Confirm steady input voltage to the light fixture, fluctuating input voltage will harm the LED driver and can lead to premature failure. Lights with photocells can have photocell tag from ambient light or light reflecting at the sensor. Simply cover the photocell completely and see if flickering continues while the photocell is covered. Call Tech Support for help if none of the above solves the issue.
Light does not work at all.	Check all wiring for disconnections, shorts and burnt wiring and connections. Confirm steady input voltage to the light fixture, fluctuating input voltage will harm the LED driver and can lead to premature failure. If input voltage is not in the voltage range of the fixture, you will need to find the source of your input voltage issue. Call Tech Support for help if none of the above solves the issue.

For more technical information, install questions, troubleshooting help or warranty claims, we have a dedicated US Tech and Customer Support Team to help solve any issues you have and can be reached by email or phone. If you need help with any of our products, we are here for you so that you are never in the dark!

# BETTER LIGHTS. BETTER SUPPORT.

