

350W HIGHT TEMP | LED UFO HIGHBAY LIGHT



PRODUCT DESCRIPTION

This high output UFO builds on its legendary value, now with a sleek & smaller design sporting advanced and improved standard features, including a 120D lens as well as a staggering 160+ lumens per watt!

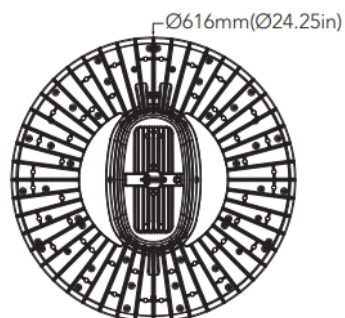
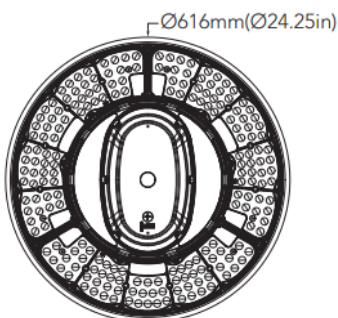


PART #: RG-350W-HT

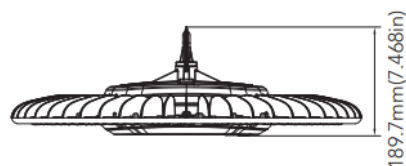
PRODUCT FEATURES & COMMON USE APPLICATIONS

- UL cUL certificate.
- Lumileds or Samsung Chip, high CRI.
- Input voltage 120-277VAC.
- Output constant current lever can be adjusted through output cable with 0-10V.
- No UV or IR in the beam.
- Easy to install and operate.
- Energy saving, long lifespan.
- Light is soft and uniform, safe to eyes.
- Instant start, NO flickering, NO humming.
- Green and eco-friendly without mercury.
- Warehouse, factory, and workshops.
- Highway toll station and gas station.
- Exhibition hall.
- Gymnasium and supermarkets, etc

PRODUCT DIMENSIONS



Weight:
350W: 7.858kg(17.324lbs)
410W: 8.833kg(19.473lbs)



Rugged Grade Lighting
Industrial Grade Solutions



888-953-2476
sales@ruggedgrade.com

LEGENDARY USA SUPPORT



US based
phone and online
customer support



5 YEARS
WARRANTY



PRODUCT TECHNICAL SPECIFICATIONS

OPTICAL	Input Power (Tolerance : ±10%)	350W/280W/210W/140W (Wattage Selectable)
	Color Temperature (Color Selectable)	5000K
	Lumen (Tolerance : -10%)	62000LM
	Efficacy (Tolerance : -3%)	180+ LM/W
	CRI	>72
	Color Consistency	<7 Steps (or <7 SDCM)
	UGR (Glare Rating)	<28 (X=4H, Y=8H; S/H=1; Reflectances: 70%/50%/20%)
	Diffuser Type	PC Lens
	Beam Angle (50%) (Tolerance :	120 Degree
ELECTRICAL	Input Voltage and Frequency	120-277VAC, 50/60Hz
	PF (Tolerance : -3%)	≥0.9
	THD (Tolerance : +5%)	≤20%
	Flicker Percent	<5%
	Driver Brand	Rugged Grade Lighting
	Driver Model	Rugged Grade Lighting Driver
	Driver Surge protection	L/N-PE: 6kV, L-N: 4kV
	Dimming	0-10V dimming standard
Optional Accessory	Surge-protective Device	
MATERIALS	LED Brand	Lumileds
	LED Type	SMD2835
	LED QTY	NA
	Housing	Die-cast aluminum
	Housing Color	Black, White, or Customized
	Waterproof Rating	WET (IP65)
OTHERS	Operating Temperature	-40°C TO 65°C(at 100% 55°C)
	Storage Temperature	-40°C TO 80°C
	Operating Humidity	20% - 90% RH
	Storage Humidity	10% - 95% RH
	Warranty	5 years warranty with 24/7 operating hours Luminaire lifetime

PRODUCT MOUNTS & ACCESSORIES



Plug-and-Play PIR Sensor

PIR sensor: ANT-6-4T

Bluetooth PIR sensor:

ANT-6-4T-BLE-SR



PRODUCT IMAGES & ACTUAL INSTALLATIONS

WATTAGE SELECTABLE

This fixture has the function of adjusting the lumens output on-site.



Plug-and-Play Sensor (optional)

Sensor allows for security and energy saving.



Applications:

Suitable for commercial, retail and institutional applications including gymnasiums, factories and warehouses.



PRODUCT WARNINGS

- ⚡ Please turn off power before install or change assembly parts.
- ⚡ The input voltage and lamps should be matched, after connecting the power line.
- ⚡ Please make sure the wiring section is insulated.
- ⚡ Professionals must install and disassemble the lamps.
- ⚡ Surge is the number 1 cause of LED light failure. Outdoor lights must have surge at fixture, pole, and breaker.
- ⚡ Surge is the number 1 cause of LED light failure. Indoor lights must have surge at fixture and breaker.

PRODUCT TROUBLESHOOTING

Issue	Check points
Light Flickers	Check all wiring for disconnections, shorts and burnt wiring and connections. Confirm steady input voltage to the light fixture, fluctuating input voltage will harm the LED driver and can lead to premature failure. Lights with photocells can have photocell tag from ambient light or light reflecting at the sensor. Simply cover the photocell completely and see if flickering continues while the photocell is covered. Call Tech Support for help if none of the above solves the issue.
Light does not work at all.	Check all wiring for disconnections, shorts and burnt wiring and connections. Confirm steady input voltage to the light fixture, fluctuating input voltage will harm the LED driver and can lead to premature failure. If input voltage is not in the voltage range of the fixture, you will need to find the source of your input voltage issue. Call Tech Support for help if none of the above solves the issue.

For more technical information, install questions, troubleshooting help or warranty claims, we have a dedicated US Tech and Customer Support Team to help solve any issues you have and can be reached by email or phone. If you need help with any of our products, we are here for you so that you are never in the dark!

BETTER LIGHTS. BETTER SUPPORT.

