

PRODUCT DESCRIPTION

Ultimate Versatility in Lighting! The new Rovaria is now packed with Tunable Technology from RuggedGrade giving you control to choose Kelvin Color & Wattage on fixture! With a High Efficiency of up to 145 Lumen to Watt, this version now gives you Dusk to Dawn lighting capability and comes with a port for an optional motion sensor, so you decide your best lighting options!

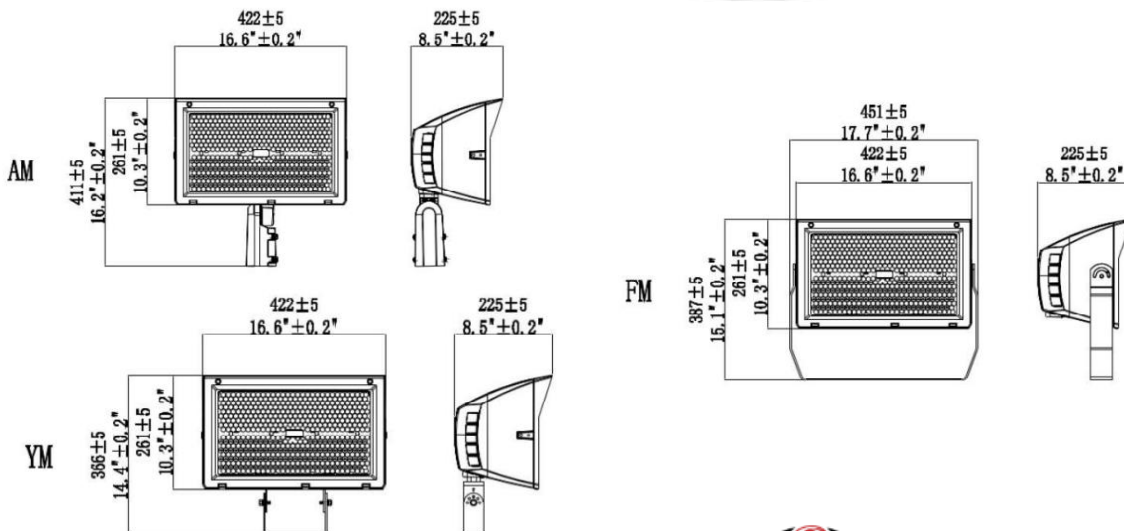


Part #: RGL-ROVARIA-320WBH8DA1

PRODUCT FEATURES & COMMON USE APPLICATIONS

- UL cUL DLC 5.1 Premium certificate.
- IP65 driver,
- input voltage 120-277VAC.
- Color Adjustable.
- No UV or IR in the beam.
- Easy to install and operate.
- Energy saving, long lifespan.
- Light is soft and uniform, safe to eyes.
- Instant start, NO flickering, NO humming.
- Green and eco-friendly without mercury.
- Outdoor basketball court, tennis court.
- Badminton court, the football field.
- The school playground, stadium.
- Community leisure entertainment plaza,
- Warehouse, factory and workshops ;
- Highway toll station ;
- Meeting room, exhibition hall ;
- Gymnasium and supermarkets, etc.

PRODUCT DIMENSIONS



Rugged Grade Lighting
Industrial Grade Solutions



LEGENDARY USA SUPPORT



US based phone and online customer support



888-953-2476
sales@ruggedgrade.com

PRODUCT TECHNICAL SPECIFICATIONS

OPTICAL	Input Power (Tolerance : ±10%)	320W (320W/250W/200W wattages selectable)		
	Color Temperature (Color Tunable)	3000K	4000K	5000K
	Lumen(Tolerance: ±10%)	43200LM	46400LM	46000LM
	Efficacy(Tolerance : ±3%)	135LM/W	145LM/W	144LM/W
	CRI	>80		
	Color Consistency	<7 Steps (or <7 SDCM)		
	BUG	B5-U0-G3		
	Field Angle (10%) (Tolerance : ±15%)	90°/75°/55°(Adjustable Beam Angle)		
ELECTRICAL	Input Voltage and Frequency	120-277VAC, 50/60Hz		
	PF (Tolerance : -3%)	≥0.9		
	THD (Tolerance : +5%)	≤20%		
	Flicker Percent	<5%		
	Driver Brand	SOSEN		
	Driver Model	SS-320NH-E260BH or SS-320NH-E260BHB		
	Driver Surge protection	L-N 6KV,L&N-PE 6KV		
	Dimming	0-10V dimming standard		
	Sensor Type	Exterior Photocell / Integral Sensor Receptacle		
	Optional Accessory	Photocell / Surge protector		
MATERIALS	LED Brand	Lumileds		
	LED Type	SMD2835		
	LED QTY	540PCS		
	Housing	Die-cast aluminum		
	Housing Color	Brown, Black, or Customized		
	EPA	1.6 ft ²		
	Waterproof Rating	WET (IP65)		
OTHERS	Operating Temperature	-40°C TO 50°C		
	Storage Temperature	-40°C TO 80°C		
	Operating Humidity	10% - 90% RH		
	Storage Humidity	10% - 95% RH		
	Warranty	5 years		

PRODUCT MOUNTS & ACCESSORIES



AM



YM



FM



PHOTOMETRICS

Luminaire Property

Luminaire Manufacturer:
 Luminaire Category:
 Lamp Catalog:
 Number of Lamps:
 Luminous Length (mm):
 Luminous Height (mm):
 Current: 2.648 A
 Power Factor: 0.995

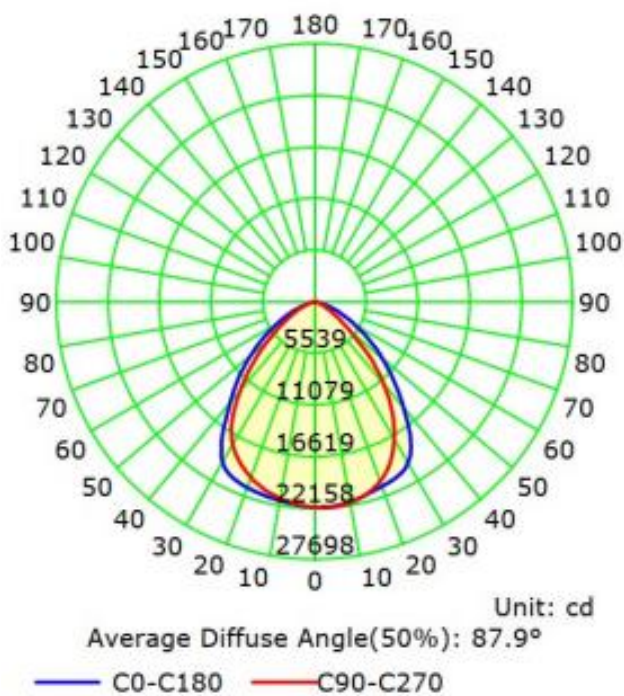
Luminaire Description:
 Lamp Description:
 Lumens per Lamp:
 Luminous Width (mm):
 Voltage: 120.0 V
 Power: 316.15 W

Photometric Results

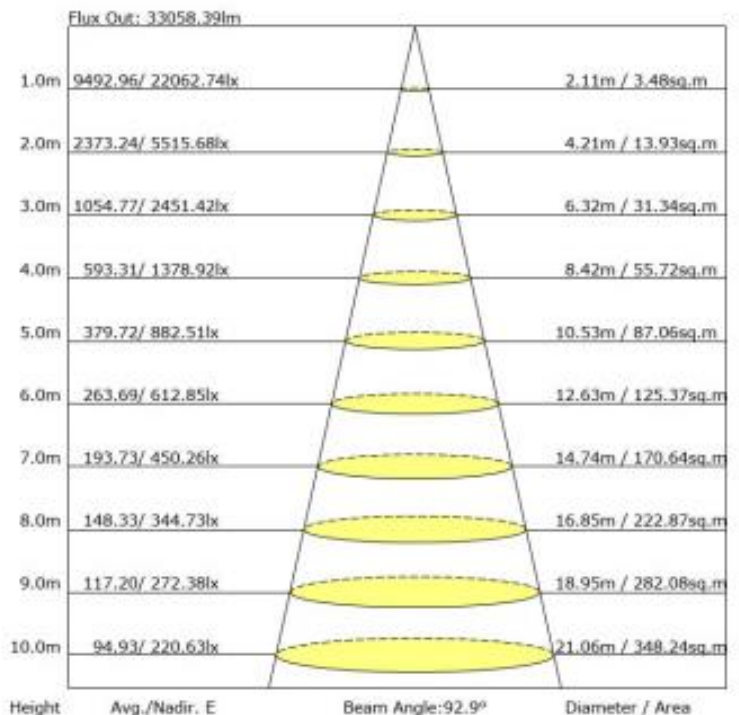
IES Classification: Type I
 Total Rated Lamp Lumens: 43771.1 lm
 Efficiency: 100%
 Upward Ratio: 0%
 C0r0 Intensity: 22062.74 cd
 Pos of Max. Intensity: H67.5 V4
 Beam Angle(C0/C180,C90/C270,C45/C225,C135/315): 92.9, 82.9, 91.0, 90.9

Longitudinal Classification: Very Short
 Measurement Flux: 43771.1 lm
 Downward Ratio: 100%
 Luminaire Efficacy Rating (LER): 138.50
 Max. Intensity: 22158.95 cd

Luminous Intensity Distribution Curve



The Average Illuminance Effective Figure



DLC PRODUCT INFO

Product ID: S-GSXD6V

3



RGL-ROVARIA-TT-320WB90/75/55DA1-abcdW30/40/50

Manufacturer: RuggedGrade
Brand: RuggedGrade

PRODUCT OVERVIEW

Model Number	RGL-ROVARIA-TT-320WB90/75/55DA1-abcdW30/40/50
Classification	Premium
Primary Use	Architectural Flood and Spot Luminaires
Reported Input Wattage	317.2 W
Reported Light Output	43239 lm
Reported CCT	3000 K
Reported CRI (Ra)	82
Product ID	S-GSXD6V
DLC Family Code	SLFHXX
Listing Status	Listed
Date Qualified	2025-03-24

PRODUCT INFORMATION

Qualified Product List	Solid State Lighting
Technical Requirements Version	5.1
Product ID	S-GSXD6V
Manufacturer	RuggedGrade
Brand	RuggedGrade
Model Number	RGL-ROVARIA-TT-320WB90/75/55DA1-abcdW30/40/50
Parent	No
Classification	Premium

PRODUCT CATEGORIZATION

[VIEW DETAILS](#)

CONTROL FEATURES

[VIEW DETAILS](#)

REPORTED PHOTOMETRIC PERFORMANCE

Reported Light Output	43239 lm
Reported Efficacy (AC)	136.32 lm/W
Reported CCT	3000 K
Reported CRI (Ra)	82
Reported RS	6
Reported IES Rf	85
Reported IES Rg	96
Reported IES Rcs,h1	-11

REPORTED ELECTRICAL PERFORMANCE

Reported Input Wattage	317.2 W
Reported Total Harmonic Distortion	15 %
Reported Power Factor	0.9
Reported Minimum Input Wattage	80 W
Reported Maximum Input Wattage	317.2
Reported Default Input Wattage	317.2 W
Voltage Range	120-277 V

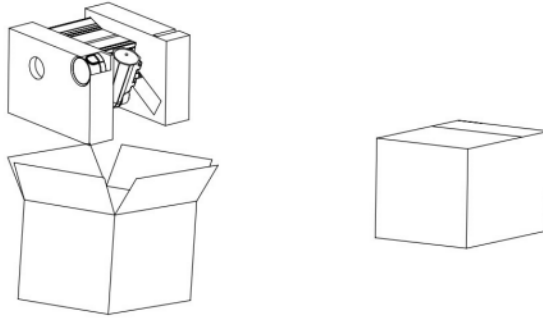




PRODUCT PACKAGING

Bracket Type	Carton Size	Qty / Carton	Net Weight / Carton	Gross Weight / Carton
AM	490*430*295mm [19.29*16.93*11.61 inch]	1 PC	5.9KG[12.98 LBS]	9.9KG [21.78 LBS]
YM	490*430*295mm[19.29*16.93*11.61 inch]	1 PC	6.15KG [13.53 LBS]	10.15KG [22.33 LBS]
FM	490*430*295mm[19.29*16.93*11.61 inch]	1 PC	7.1KG [15.62 LBS]	11.1KG [24.42 LBS]

Tolerance of Carton Size: $\pm 15\text{mm}[\pm 0.59\text{inch}]$, Tolerance of Weight: $\pm 10\%$.



PRODUCT WARNINGS

- ⚠ Please turn off power before install or change assembly parts.
- ⚠ The input voltage and lamps should be matched, after connecting the power line.
- ⚠ Please make sure the wiring section is insulated.
- ⚠ Professionals must install and disassemble the lamps.
- ⚠ Surge is the number 1 cause of LED light failure. Outdoor lights must have surge at fixture, pole, and breaker.
- ⚠ Surge is the number 1 cause of LED light failure. Indoor lights must have surge at fixture and breaker.

PRODUCT TROUBLESHOOTING

Issue	Check points
Light Flickers	Check all wiring for disconnections, shorts and burnt wiring and connections. Confirm steady input voltage to the light fixture, fluctuating input voltage will harm the LED driver and can lead to premature failure. Lights with photocells can have photocell tag from ambient light or light reflecting at the sensor. Simply cover the photocell completely and see if flickering continues while the photocell is covered. Call Tech Support for help if none of the above solves the issue.
Light does not work at all.	Check all wiring for disconnections, shorts and burnt wiring and connections. Confirm steady input voltage to the light fixture, fluctuating input voltage will harm the LED driver and can lead to premature failure. If input voltage is not in the voltage range of the fixture, you will need to find the source of your input voltage issue. Call Tech Support for help if none of the above solves the issue.

For more technical information, install questions, troubleshooting help or warranty claims, we have a dedicated US Tech and Customer Support Team to help solve any issues you have and can be reached by email or phone. If you need help with any of our products, we are here for you so that you are never in the dark!

BETTER LIGHTS. BETTER SUPPORT.

