

## PRODUCT DESCRIPTION

Ultimate Versatility in Lighting! The new security light is now packed with Tunable Technology from RuggedGrade giving you control to choose Kelvin Color on this fixture! With a High Efficiency of up to 100 Lumen to Watt, this version now gives you motion sensor capabilities!

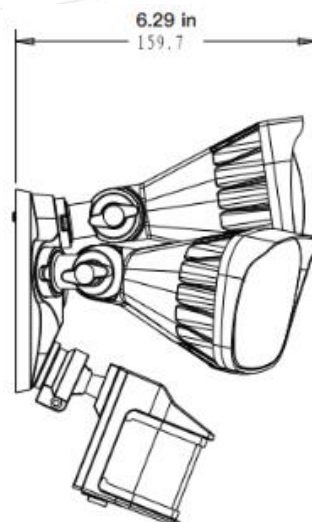
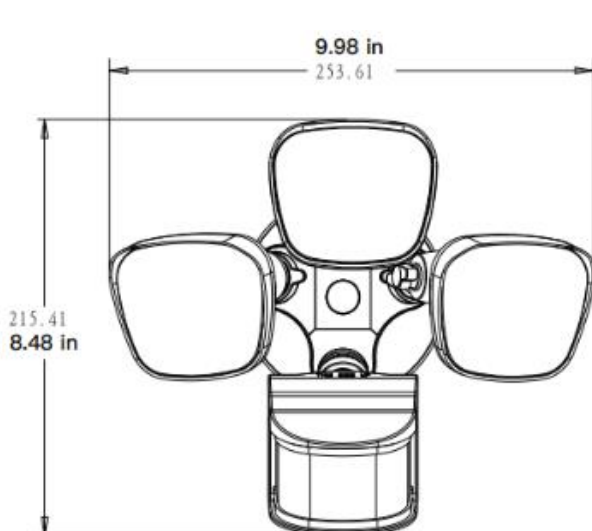


**Part Number#: RGL-TURIN-2-30WBH8DA1**

## PRODUCT FEATURES & COMMON USE APPLICATIONS

- ETL Certification.
- Bridgelux Chip, high CRI
- IP65 driver, input voltage 120-277VAC.
- Color Adjustable.
- Photocell(Dusk to Dawn Sensor)
- No UV or IR in the beam.
- Easy to install and operate.
- Energy saving, long lifespan.
- Light is soft and uniform, safe to eyes.
- Instant start, NO flickering, NO humming.
- Green and eco-friendly without mercury.
- Outdoor basketball court, tennis court.
- Front and Back Yards
- Badminton court, the football field.
- The school playground
- Community leisure entertainment plaza,
- Highway toll station ;
- Meeting room, exhibition hall ;
- Gymnasium and supermarkets, etc.

## PRODUCT DIMENSIONS



Rugged Grade Lighting  
Industrial Grade Solutions



## LEGENDARY USA SUPPORT

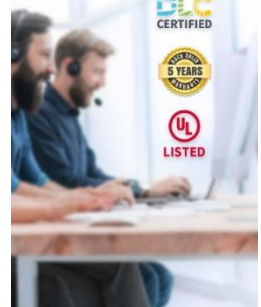


US based  
phone and online  
customer support

DLC  
CERTIFIED

5 YEARS  
WARRANTY

UL  
LISTED



888-953-2476  
sales@ruggedgrade.com

## PRODUCT TECHNICAL SPECIFICATIONS

<b>OPTICAL</b>	Input Power (Tolerance : ±10%)	30W		
	Color Temperature (Color Tunable)	3000K	4000K	5000K
	Lumen(Tolerance: ±10%)	2700LM	3000LM	2850LM
	Efficacy(Tolerance : ±3%)	90LM/W	100 LM/W	95LM/W
	CRI	>80		
	Color Consistency	<7 Steps (or <7 SDCM)		
	Distribution Pattern	7H7V		
	Field Angle (10%) (Tolerance : ±15%)	100 Degree		
<b>ELECTRICAL</b>	Input Voltage and Frequency	120-277VAC, 50/60Hz		
	PF (Tolerance : -3%)	≥0.9		
	THD (Tolerance : +5%)	≤20%		
	Flicker Percent	<30%		
	Driver Brand	RuggedGrade		
	Driver Model	RuggedGrade		
	Driver Surge protection	L/N-PE: 2.5kV, L-N: 2.5kV		
	Dimming	None		
	Sensor Type	Motion Sensor		
	Optional Accessory	Surge-protective Device, Photocell(Dusk to Dawn Sensor)		
<b>MATERIALS</b>	LED Brand	Lumileds		
	LED Type	SMD2835		
	LED QTY	48 PCS		
	Housing	Die-cast aluminum		
	Housing Color	Brown, Black, or Customized		
	EPA	0.56 ft²		
	Waterproof Rating	WET (IP65)		
<b>OTHERS</b>	Operating Temperature	-30°C TO 45°C;		
	Storage Temperature	-40°C TO 80°C		
	Operating Humidity	20% - 90% RH		
	Storage Humidity	20% - 95% RH		
	Warranty	5 years		

## PRODUCT MOUNTS & ACCESSORIES

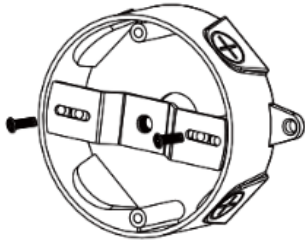


Accessories name	Specification Description	Quantity
First generation safety lamp screw waterproof ring	Silicone rubber\white\shaw 60 degrees\ Φ 11.5 * 7.5 * 1.5 mm	1PCS
First generation safety lamp holder	Stamping \ Φ 25 * 98.5 * 10 1.7 mm thick\ galvanized iron\with M8 thread\ground hole in the side	1PCS
Fastener screws	M8*65mm\ cross ball screw \ head 13mm \ tooth pitch 1.25mm\304 stainless steel	1PCS
Fastener screws	M3*8mm\ cross hexagonal head anti-slip screw \ iron plated green zinc \ROHS	1PCS
Fastener screws	10 # H3/8 \ coarse thread\thread diameter 4.7 mm ball head \ american-made cross galvanized iron\ROHS	2PCS
Fastener screws	American 5/32-3/4 \ ball head \ thread diameter 4.0 length 20mm \ iron galvanized	2PCS
American screw terminal	P3 \ Pressure resistance 300V \ Temperature resistance 105 °C \ Fire rating UL94V-2 \ φ12.5*22mm\ ROHS	3PCS
First generation safety lamp rubber cover	Silicone rubber\white\φ17.2*6 mm\SS-G70-XJG-A0\ in California in 65\ROHS	1PCS
Generation safety lamp dust mat	EVA\white\ back glue\heat-resistant120°C\ Φ110*55*3mm	1PCS

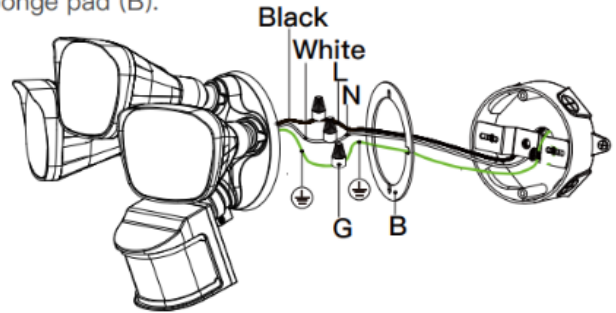


## PRODUCT IMAGES & ACTUAL INSTALLATIONS

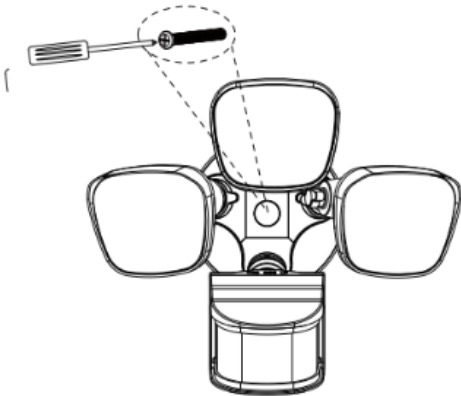
1. Install the bracket, align the bracket holes with the junction box holes, and lock the bracket with the junction box set screw.



2. Connect the wires to the lamp body and connect the wires on the lamp body to the wires in the junction box via terminal (G). These wires must pass through the sponge pad (B).

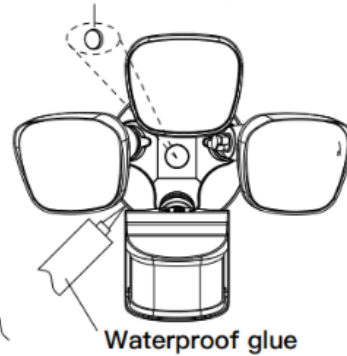


3. Installed the light on the spongy cushion and bracket by tie bolt, gasket and rubber ring.



4. Cover the screw cap, use waterproof glue seal the rear cover and the light to make sure the lamp waterproof.

Rubber Screw Cap



Waterproof glue

LEGENDARY USA SUPPORT



## PRODUCT PACKAGING

Carton Size	Qty / Carton
Outer box:592*452*369mm	8 PCS
Inner box:286*216*172mm	1 PC

\*Tolerance of Carton Size:  $\pm 15$  MM, Tolerance of Weight:  $\pm 10\%$ .



## PRODUCT WARNINGS

- ⚡ Please turn off power before install or change assembly parts.
- ⚡ The input voltage and lamps should be matched, after connecting the power line.
- ⚡ Please make sure the wiring section is insulated.
- ⚡ Professionals must install and disassemble the lamps.
- ⚡ Surge is the number 1 cause of LED light failure. Outdoor lights must have surge at fixture, pole, and breaker.
- ⚡ Surge is the number 1 cause of LED light failure. Indoor lights must have surge at fixture and breaker.

## PRODUCT TROUBLESHOOTING

Issue	Check points
Light Flickers	Check all wiring for disconnections, shorts and burnt wiring and connections. Confirm steady input voltage to the light fixture, fluctuating input voltage will harm the LED driver and can lead to premature failure. Lights with photocells can have photocell tag from ambient light or light reflecting at the sensor. Simply cover the photocell completely and see if flickering continues while the photocell is covered. Call Tech Support for help if none of the above solves the issue.
Light does not work at all.	Check all wiring for disconnections, shorts and burnt wiring and connections. Confirm steady input voltage to the light fixture, fluctuating input voltage will harm the LED driver and can lead to premature failure. If input voltage is not in the voltage range of the fixture, you will need to find the source of your input voltage issue. Call Tech Support for help if none of the above solves the issue.

For more technical information, install questions, troubleshooting help or warranty claims, we have a dedicated US Tech and Customer Support Team to help solve any issues you have and can be reached by email or phone. If you need help with any of our products, we are here for you so that you are never in the dark!

# BETTER LIGHTS. BETTER SUPPORT.

