

250W | LED TORINO SERIES WORK LIGHT



PRODUCT DESCRIPTION

THE NEW TORINO SERIES IS A REVOLUTIONARY NEW WORK LIGHT THAT HAS SO MANY FEATURES INCLUDING A TRIP POD AND A WATTAGE SELECTABLE FEATURE WHICH ALLOWS YOU TO DIM THE LIGHT TO YOUR PREFERRED SETTING!

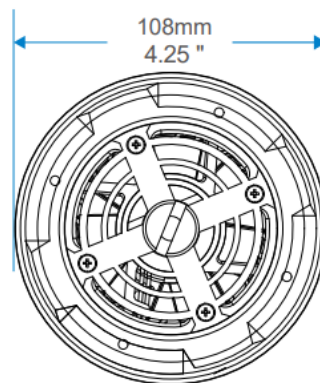
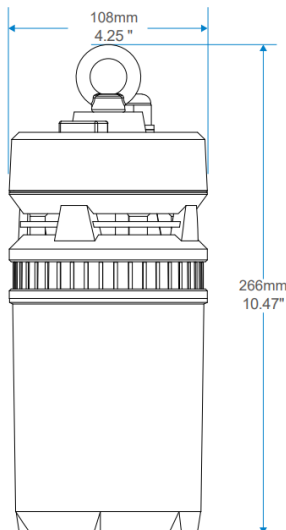


Part #: RGL-TORINO-250W

PRODUCT FEATURES & COMMON USE APPLICATIONS

- ✓ UL cUL
- ✓ Input voltage 120-277Vac
- ✓ No UV or IR in the beam
- ✓ Easy to install and operate
- ✓ Energy saving, long lifespan
- ✓ Instant start, NO flickering, NO humming
- ✓ Green and eco-friendly without mercury
- ✓ Surge 4kv-6kv
- ✓ Construction Site
- ✓ Residential renovations
- ✓ Dock etc.
- ✓ Shipyard, Airport, wharf

PRODUCT DIMENSIONS



Rugged Grade Lighting
Industrial Grade Solutions



LEGENDARY USA SUPPORT

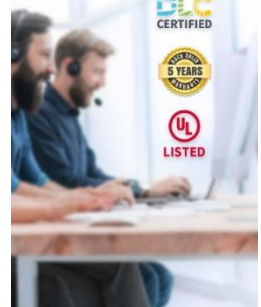


US based
phone and online
customer support

DLC
CERTIFIED

5 YEARS
WARRANTY

UL
LISTED



888-953-2476
sales@ruggedgrade.com

PRODUCT TECHNICAL SPECIFICATIONS

OPTICAL	Input Power (Tolerance: ±10%)	250W/180W/100W(Wattage Selectable)
	Color Temperature	5000K
	Lumen (Tolerance: -10%)	30,000LM(without balloon)
	Efficacy (Tolerance: -3%)	120 LM/W
	CRI	≥80
	Color Consistency	< 6 Steps (or < 6 SDCM)
	Beam Angle (50%) (Tolerance: ±15%)	120°
	Voltage	120-277vac
	PF (Tolerance: -3%)	≥0.90
ELECTRICAL	THD (Tolerance: +5%)	≤20%
	Flicker Percent	<70%
	Driver Brand	RG
	Driver Model	RG-250W-120v
	Driver Surge protection	L/N-PE: 4kV, L-N:4kV
	Dimming	On Board
	Accessories	Eyebolt, Carabiner, Tripod, Portable Tool Bag
	LED Brand	Lumileds
MATERIALS	LED Type	SMD2835
	LED QTY	350 PCS
	Housing	Aluminum Alloy
	Housing Color	Orange
	Waterproof Rating	Wet(IP65)
	Operating Temperature	-15~+45°C
	Storage Temperature	0°C TO 80°C
OTHERS	Operating Humidity	20% - 90% RH
	Storage Humidity	10% - 95% RH
	Warranty	5 years warranty for the lamp body/ 1 year warranty for

PRODUCT ACCESSORIES



PRODUCT IMAGES & FEATURES



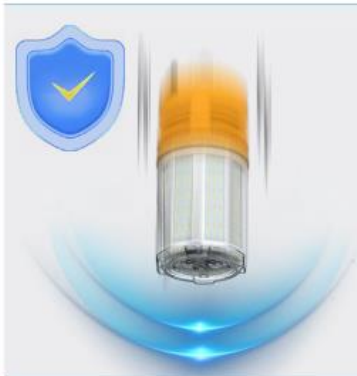
IP65 waterproof.



High wattage with compact size design.



Power selectable for different application.



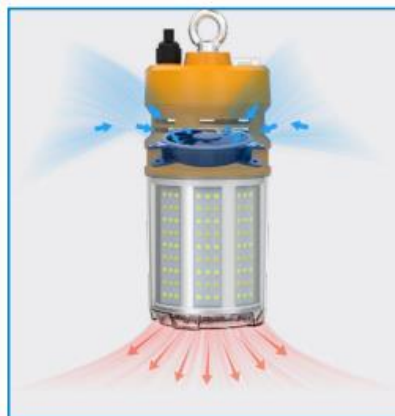
Engineering PC plastic housing, uv resistance, fire resistance, safe and durable which can drop off from the height at 2 meters without no damages.



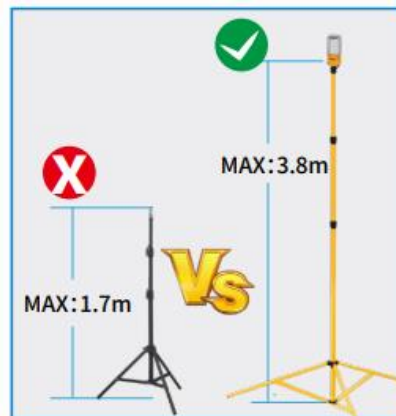
M10 screw, suitable for a variety of installation methods.



There is a tool bag for portable application.



Built-in waterproof industrial fan with 70000hours lifespan for good heat dissipation.

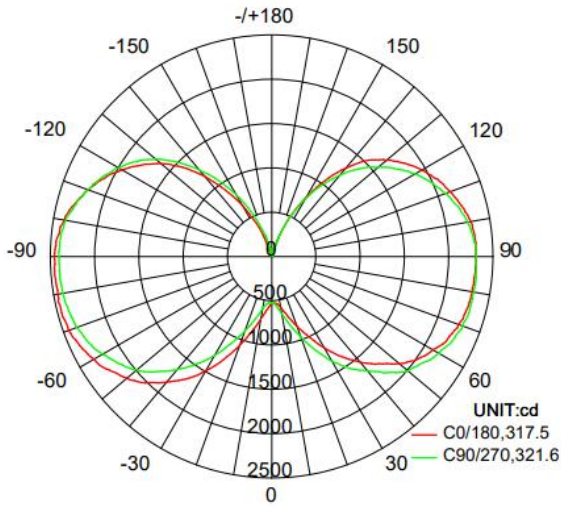


Compared with the regular tripod, it is higher much. The max height is 3.8m, and the light shining on the ground is wider.



PHOTOMETRICS

LUMINOUS INTENSITY DISTRIBUTION DIAGRAM



Flux out:2426 lm

Height	Eavg,Emax	Diameter
1m	772.3, 969.21 x	200.00cm
2m	193.1, 242.31 x	400.00cm
3m	85.81, 107.71 x	600.00cm
4m	48.27, 60.581 x	800.00cm
5m	30.89, 38.771 x	1000.00cm
6m	21.45, 26.921 x	1200.00cm
7m	15.76, 19.781 x	1400.00cm
8m	12.07, 15.141 x	1600.00cm
9m	9.534, 11.971 x	1800.00cm
10m	7.723, 9.6921 x	2000.00cm

Note: The Curves indicate the illuminated area and the average illumination when the luminaire is at different distance.

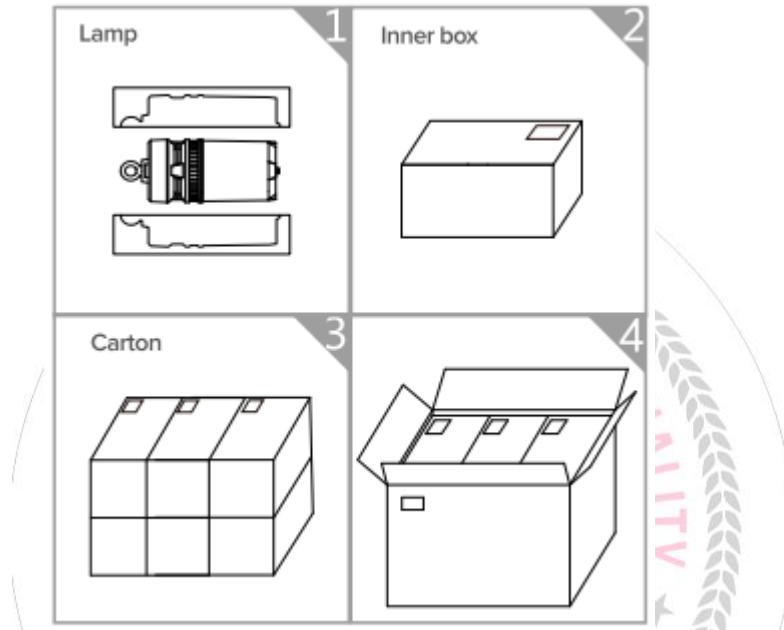
SPEC.	5000K
LAMP FLUX	31205 lm
RATED VOLTAGE(V)	120V
TEST VOLTAGE(V)	120V
PF	0.9539
Test Distance	8.310m [K=1.0000]



PRODUCT PACKAGING

Inner box size(mm) (x0.0393=inch)	Outer Carton size(mm) (x0.0393=inch)	N.W per light(kg) (lbs=kgx2.2)	G.W per light(kg) (lbs=kgx2.2)	G.W per carton(kg) (lbs=kgx2.2)	Quantity
1500*200*130mm (With tripod and portable tool bag)	1540*450*160mm	1.77KG	7kg (With tripod and portable tool bag)	14.8kg (With tripod and portable tool bag)	2pcs

*Tolerance of Carton Size: ± 15 MM, Tolerance of Weight: $\pm 10\%$.



PRODUCT WARNINGS

- ⚠ Please turn off power before install or change assembly parts.
- ⚠ The input voltage and lamps should be matched, after connecting the power line.
- ⚠ Please make sure the wiring section is insulated.
- ⚠ Professionals must install and disassemble the lamps.
- ⚠ Surge is the number 1 cause of LED light failure. Outdoor lights must have surge at fixture, pole, and breaker.
- ⚠ Surge is the number 1 cause of LED light failure. Indoor lights must have surge at fixture and breaker.

PRODUCT TROUBLESHOOTING

Issue	Check points
Light Flickers	Check all wiring for disconnections, shorts and burnt wiring and connections. Confirm steady input voltage to the light fixture, fluctuating input voltage will harm the LED driver and can lead to premature failure. Lights with photocells can have photocell tag from ambient light or light reflecting at the sensor. Simply cover the photocell completely and see if flickering continues while the photocell is covered. Call Tech Support for help if none of the above solves the issue.
Light does not work at all.	Check all wiring for disconnections, shorts and burnt wiring and connections. Confirm steady input voltage to the light fixture, fluctuating input voltage will harm the LED driver and can lead to premature failure. If input voltage is not in the voltage range of the fixture, you will need to find the source of your input voltage issue. Call Tech Support for help if none of the above solves the issue.

For more technical information, install questions, troubleshooting help or warranty claims, we have a dedicated US Tech and Customer Support Team to help solve any issues you have and can be reached by email or phone. If you need help with any of our products, we are here for you so that you are never in the dark!



**BETTER LIGHTS.
BETTER SUPPORT.**

DL CERTIFIED **UL LISTED**

LEGENDARY RUGGEDGRADE DUTY
LEGENDARY USA SUPPORT

US based phone and online customer support

ROCK SOLID 5 YEARS WARRANTY