

PRODUCT DESCRIPTION



- Aluminum +PC.No Fragile High light efficiency, usable for 10 years
- DLC, ETL, CE, ROHS NSF Certifications
- Double End or Single-End-Power
- Five-Year-Warranty After-Sales Service
- Directly Wire To AC100-277V Line Volts

TECHNICAL DATA	Tube Size	4 Foot
	Tube Watts	24W
	Tube Construction	Aluminum+PC
	LED Driver	Internal
	Input Voltage	AC 100-277V
	Installation	Bypass Ballast(Direct Wire)
	Wiring Connection	Single-End or Double End
	Lamp Holder	Medium Bi-Pin(G5)
	Dimmable	No
	Power Factor	>90
	CRI	>80
	Optional Lens	Frost lens or Clear Lens
	Beam Angle	180°
	Working Environment	Damp or Dry Location only
	Lifespan	50,000 Hrs
	Warranty	5-Years

Dimensions



A:1163mm
B:1149mm

LEGENDARY USA SUPPORT



US based phone and online customer support

DLC CERTIFIED

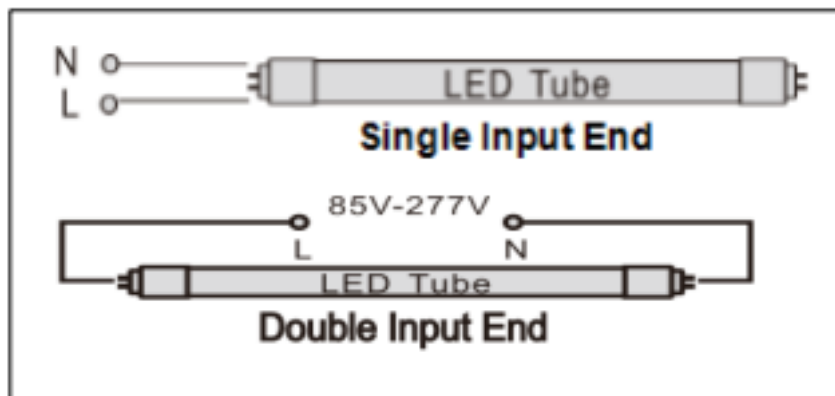
5 YEARS WARRANTY

UL LISTED

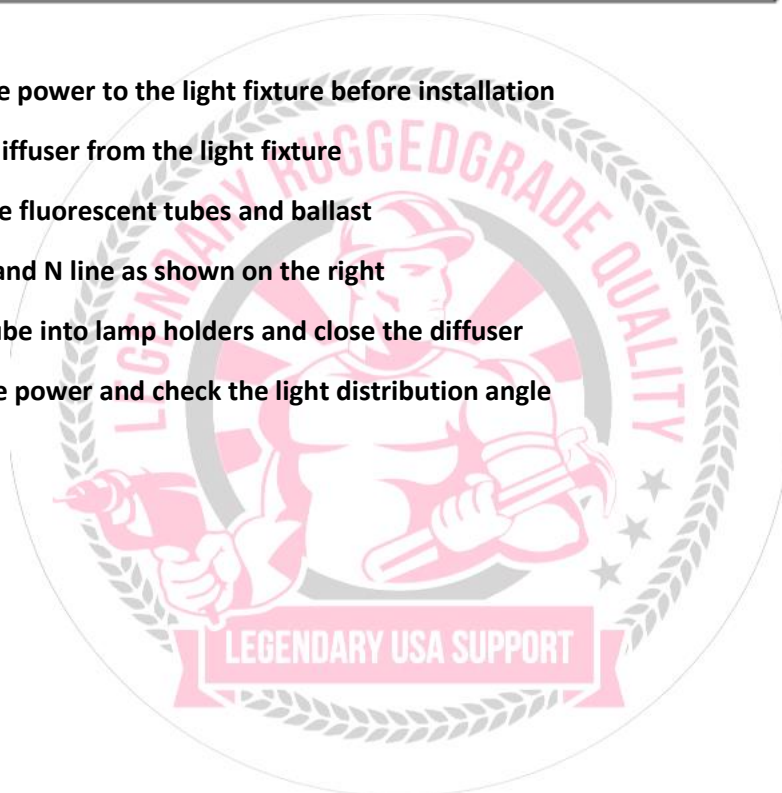




WIRING INSTRUCTIONS



- 1) Turn off the power to the light fixture before installation
- 2) Open the diffuser from the light fixture
- 3) Remove the fluorescent tubes and ballast
- 4) Connect L and N line as shown on the right
- 5) Plug LED tube into lamp holders and close the diffuser
- 6) Turn on the power and check the light distribution angle



PRODUCT WARNINGS

- ⚡ Please turn off power before install or change assembly parts.
- ⚡ The input voltage and lamps should be matched, after connecting the power line.
- ⚡ Please make sure the wiring section is insulated.
- ⚡ Professionals must install and disassemble the lamps.
- ⚡ Surge is the number 1 cause of LED light failure. Outdoor lights must have surge at fixture, pole, and breaker.
- ⚡ Surge is the number 1 cause of LED light failure. Indoor lights must have surge at fixture and breaker.

PRODUCT TROUBLESHOOTING

Issue	Check points
Light Flickers	Check all wiring for disconnections, shorts and burnt wiring and connections. Confirm steady input voltage to the light fixture, fluctuating input voltage will harm the LED driver and can lead to premature failure. Lights with photocells can have photocell tag from ambient light or light reflecting at the sensor. Simply cover the photocell completely and see if flickering continues while the photocell is covered. Call Tech Support for help if none of the above solves the issue.
Light does not work at all.	Check all wiring for disconnections, shorts and burnt wiring and connections. Confirm steady input voltage to the light fixture, fluctuating input voltage will harm the LED driver and can lead to premature failure. If input voltage is not in the voltage range of the fixture, you will need to find the source of your input voltage issue. Call Tech Support for help if none of the above solves the issue.

For more technical information, install questions, troubleshooting help or warranty claims, we have a dedicated US Tech and Customer Support Team to help solve any issues you have and can be reached by email or phone. If you need help with any of our products, we are here for you so that you are never in the dark!

**BETTER LIGHTS.
BETTER SUPPORT.**

