

PRODUCT DESCRIPTION

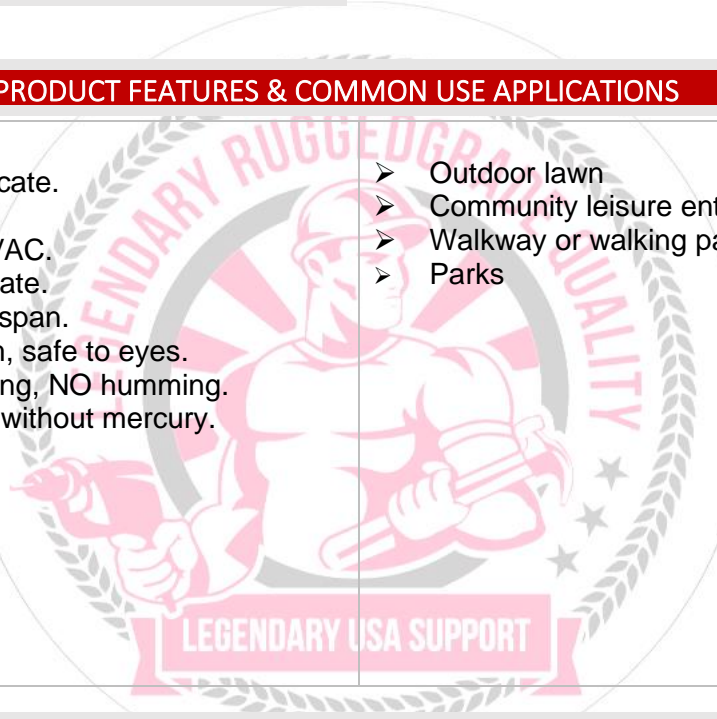
This Bollard light is designed for great performance and ease of use. It provides bright, even light, has a sleek look, works efficiently, lasts a long time, and is easy to install. Its sturdy, one-piece aluminum housing with a UV-resistant coating protects it from rust and wear. The Bollard series is a professional LED lawn light with a simple and stylish design. It offers different lighting options to suit a variety of indoor and outdoor spaces, including gardens, retail centers, industrial parks, schools, airports, offices, and medical buildings..



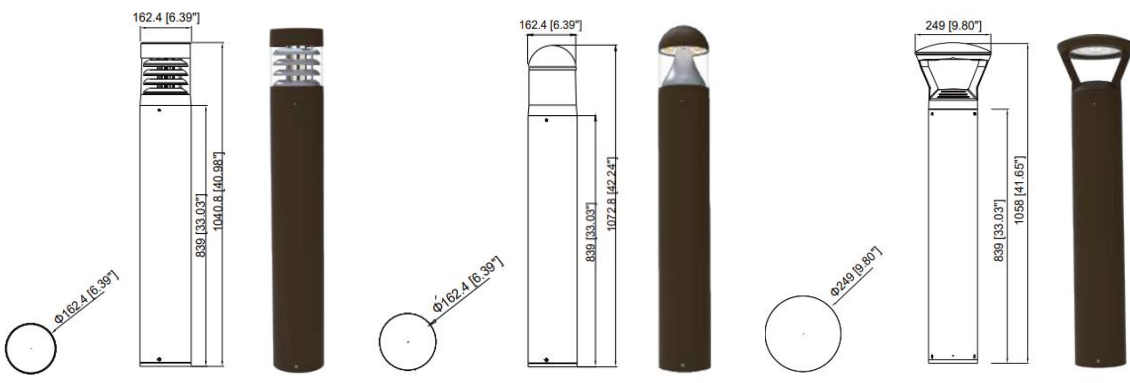
PART #: RG-BOLLARD-TT

PRODUCT FEATURES & COMMON USE APPLICATIONS

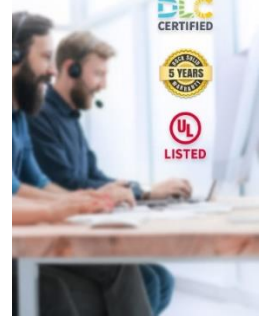
- UL cUL Premium certificate.
- IP65 driver,
- input voltage 120-277VAC.
- Easy to install and operate.
- Energy saving, long lifespan.
- Light is soft and uniform, safe to eyes.
- Instant start, NO flickering, NO humming.
- Green and eco-friendly without mercury.
- Outdoor lawn
- Community leisure entertainment plaza,
- Walkway or walking paths
- Parks



PRODUCT DIMENSIONS



LEGENDARY USA SUPPORT



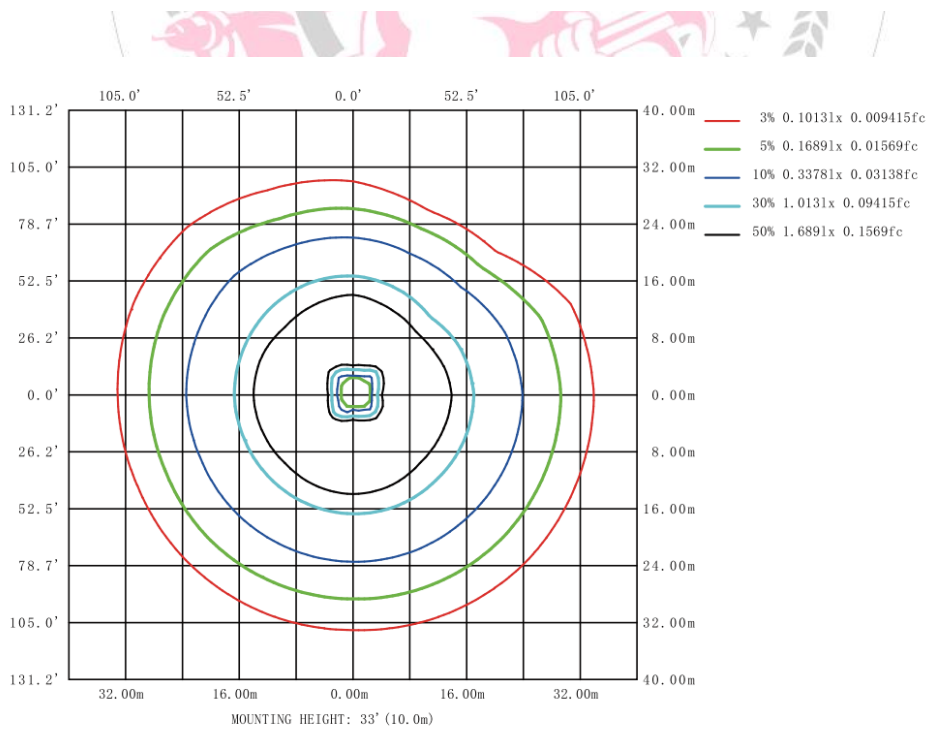
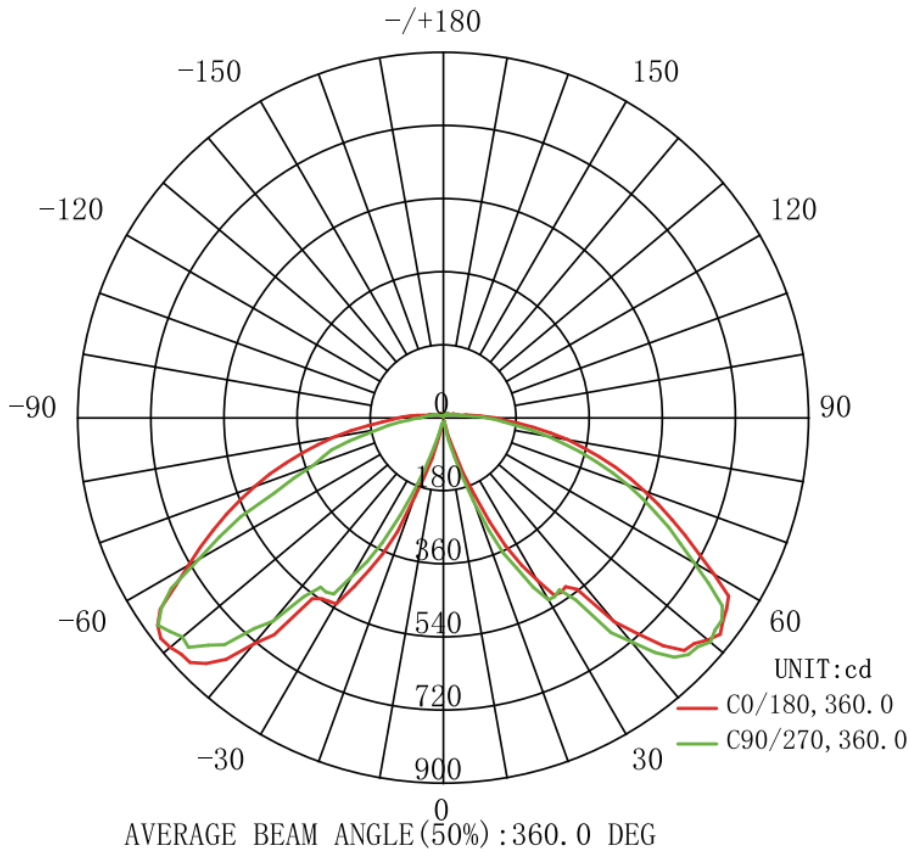
PRODUCT TECHNICAL SPECIFICATIONS

OPTICAL	Input Power (Tolerance : ±10%)	24W/19W/14W (Wattage Selectable)
	Color Temperature (Color Tunable)	3000K/4000K/5000K (Color Selectable)
	Lumen(Tolerance: ±10%)	3360 LM
	Efficacy(Tolerance : ±3%)	140 LM/W
	CRI	>70
	Input Voltage and Frequency	120-277VAC, 50/60Hz
	PF (Tolerance : -3%)	≥0.9
	THD (Tolerance : +5%)	≤20%
	Flicker Percent	<35%
ELECTRICAL	Driver Brand	RuggedGrade Driver
	Driver Model	RG-24W-120V
	Driver Surge protection	NA
	Dimming	0-10V dimming standard
	Sensor Type	Photocell(Via on/off switch on light)
	Optional Accessory	Photocell / Mount Arm
	LED Brand	Lumileds
	LED Type	SMD2835
	LED QTY	NA
	Housing	Die-cast aluminum
MATERIALS	Housing Color	Bronze
	Waterproof Rating	WET (IP65)
	Operating Temperature	-40°C TO 45°C
	Storage Temperature	-40°C TO 50°C
	Operating Humidity	20% - 90% RH
	Storage Humidity	10% - 95% RH
	Warranty	1 year

PRODUCT MOUNTS & ACCESSORIES

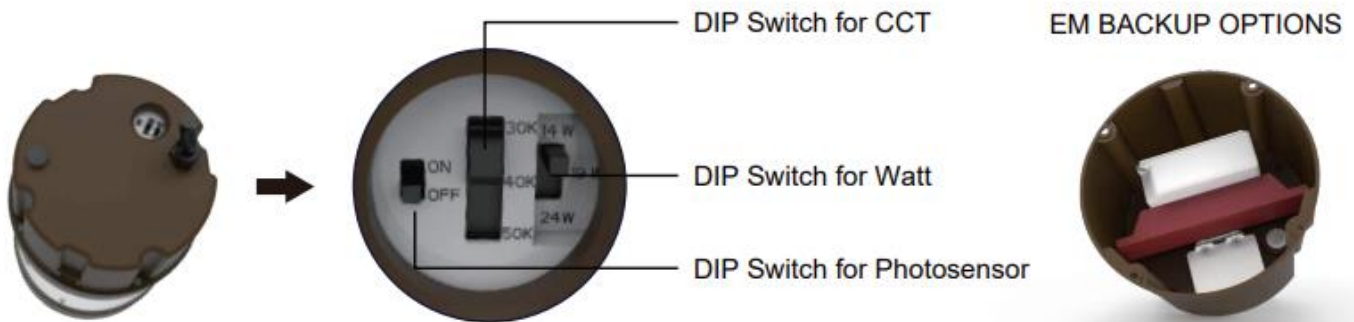


PHOTOMETRICS



PACKAGING

Bracket Type	Qty / Carton	Outer Box (L*W*H)	Net Weight / Carton	Gross Weight / Carton
DS(Dome)	1pcs	44.01"*8.19"*8.79" 1118*208*208mm	4.7kg [10.34 LBS]	6.4kg [11.52 LBS]
FT(Flat Circular)	1pcs	42.76"*8.19"*8.19" 1086*208*208mm	5kg [11 LBS]	5.8kg [12.76 LBS]
PT(Post Top)	1pcs	43.43"*11.61"*11.61" 1103*295*295mm	5.2kg [11.44 LBS]	6kg [13.20 LBS]



PRODUCT WARNINGS

- ⚠ Please turn off power before install or change assembly parts.
- ⚠ The input voltage and lamps should be matched, after connecting the power line.
- ⚠ Please make sure the wiring section is insulated.
- ⚠ Professionals must install and disassemble the lamps.
- ⚠ Surge is the number 1 cause of LED light failure. Outdoor lights must have surge at fixture, pole, and breaker.
- ⚠ Surge is the number 1 cause of LED light failure. Indoor lights must have surge at fixture and breaker.

PRODUCT TROUBLESHOOTING

Issue	Check points
Light Flickers	Check all wiring for disconnections, shorts and burnt wiring and connections. Confirm steady input voltage to the light fixture, fluctuating input voltage will harm the LED driver and can lead to premature failure. Lights with photocells can have photocell tag from ambient light or light reflecting at the sensor. Simply cover the photocell completely and see if flickering continues while the photocell is covered. Call Tech Support for help if none of the above solves the issue.
Light does not work at all.	Check all wiring for disconnections, shorts and burnt wiring and connections. Confirm steady input voltage to the light fixture, fluctuating input voltage will harm the LED driver and can lead to premature failure. If input voltage is not in the voltage range of the fixture, you will need to find the source of your input voltage issue. Call Tech Support for help if none of the above solves the issue.

For more technical information, install questions, troubleshooting help or warranty claims, we have a dedicated US Tech and Customer Support Team to help solve any issues you have and can be reached by email or phone. If you need help with any of our products, we are here for you so that you are never in the dark!

BETTER LIGHTS. BETTER SUPPORT.

