

PRODUCT DESCRIPTION

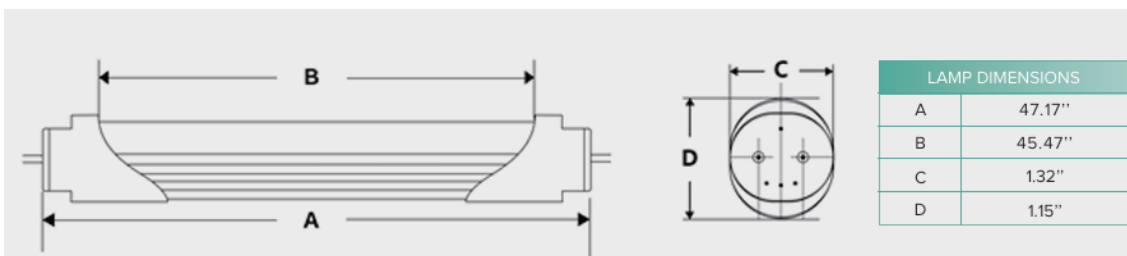


- Aluminum +PC.No Fragile High light efficiency,
- DLC, ETL, CE, ROHS NSF Certifications
- Double End or Single-End-Power
- Five-Year-Warranty After-Sales Service
- Directly Wire To AC100-277V Line Volts

TECHNICAL DATA

Tube Size	4 Foot
Tube Watts	10/12/15/18/24W(Wattage Selectable)
Lumens	1400lm - 3080lm
Kelvin	3500/4000/5000/5700/6500K(Color Selectable)
Tube Construction	Aluminum+PC
LED Driver	Internal
Input Voltage	AC 100-277V
Installation	Bypass Ballast(Direct Wire)
Wiring Connection	Single-End or Double End
Lamp Holder	T8 dual pin
Dimmable	Via wattage selectable switch
Power Factor	>90
CRI	>80
Optional Lens	Frost lens
Beam Angle	180°
Working Environment	Damp or Dry Location only
Lifespan	50,000 Hrs
Warranty	5-Years

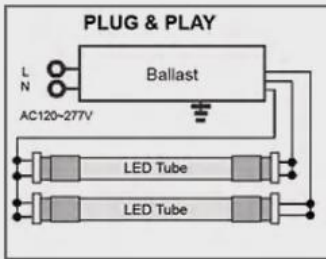
Dimensions



LEGENDARY USA SUPPORT



WIRING INSTRUCTIONS



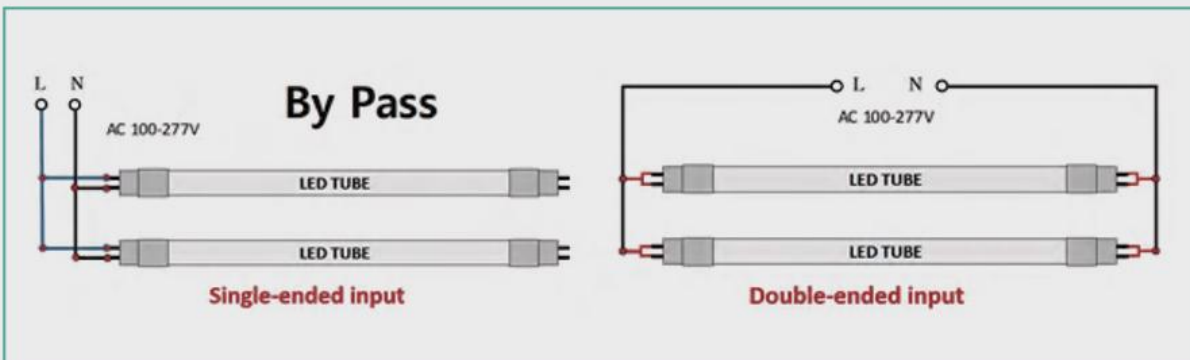
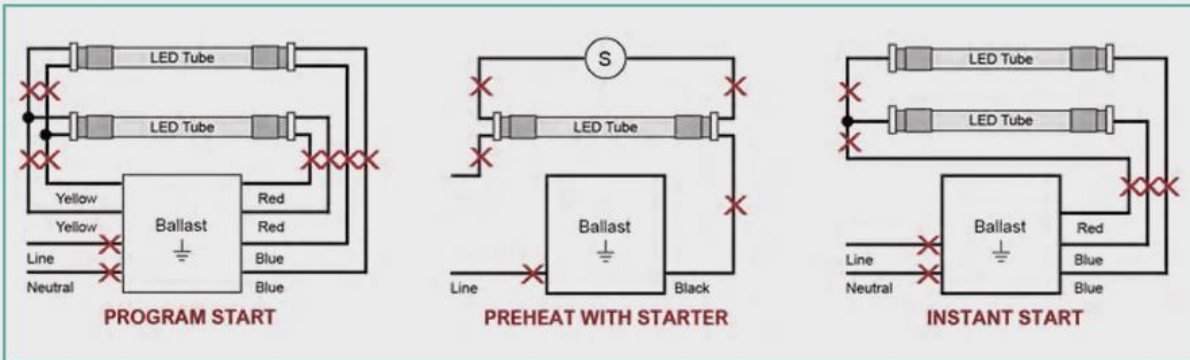
Direct Replacement (With Existing Ballast)

Warning: Check Ballast Compatibility List before installation.

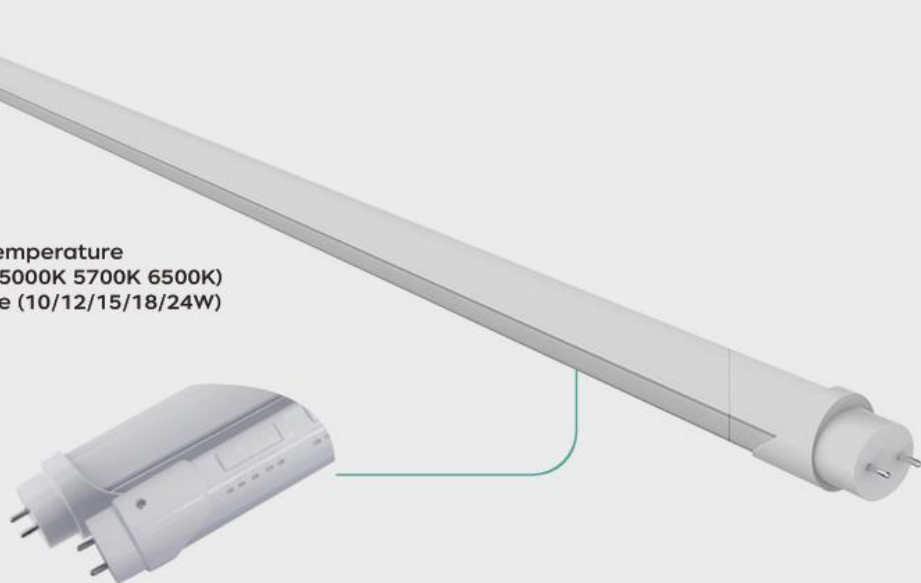
- Turn power off.
- Remove lens or diffuser, if applicable.
- Remove existing fluorescent lamp(s) from the luminaire.
- Install the LED replacement lamp(s), one lamp for each fluorescent lamp removed.
- Replace lens or diffuser back in place, if applicable.
- Turn power back on.

By-pass Replacement (Without Ballast)

- Disconnect power from fixture.
- Remove fluorescent lamps.
- Remove lens and wiring compartment, if applicable.
- Cut all wires connected to ballast (see Figure A: Typical Ballast Configurations).



5-in-1 Color Temperature
(3500K 4000K 5000K 5700K 6500K)
5-in-1 Wattage (10/12/15/18/24W)



PRODUCT WARNINGS

- ⚡ Please turn off power before install or change assembly parts.
- ⚡ The input voltage and lamps should be matched, after connecting the power line.
- ⚡ Please make sure the wiring section is insulated.
- ⚡ Professionals must install and disassemble the lamps.
- ⚡ Surge is the number 1 cause of LED light failure. Outdoor lights must have surge at fixture, pole, and breaker.
- ⚡ Surge is the number 1 cause of LED light failure. Indoor lights must have surge at fixture and breaker.

PRODUCT TROUBLESHOOTING

Issue	Check points
Light Flickers	Check all wiring for disconnections, shorts and burnt wiring and connections. Confirm steady input voltage to the light fixture, fluctuating input voltage will harm the LED driver and can lead to premature failure. Lights with photocells can have photocell tag from ambient light or light reflecting at the sensor. Simply cover the photocell completely and see if flickering continues while the photocell is covered. Call Tech Support for help if none of the above solves the issue.
Light does not work at all.	Check all wiring for disconnections, shorts and burnt wiring and connections. Confirm steady input voltage to the light fixture, fluctuating input voltage will harm the LED driver and can lead to premature failure. If input voltage is not in the voltage range of the fixture, you will need to find the source of your input voltage issue. Call Tech Support for help if none of the above solves the issue.

For more technical information, install questions, troubleshooting help or warranty claims, we have a dedicated US Tech and Customer Support Team to help solve any issues you have and can be reached by email or phone. If you need help with any of our products, we are here for you so that you are never in the dark!

**BETTER LIGHTS.
BETTER SUPPORT.**

