



PRODUCT DESCRIPTION

The Top Rated Torvan Series Gets Better! The Revati II Series has 130+ Lumens per Watt, bigger VP driver and is UL Premium Rated! Great for parking lots, Parks, and much more

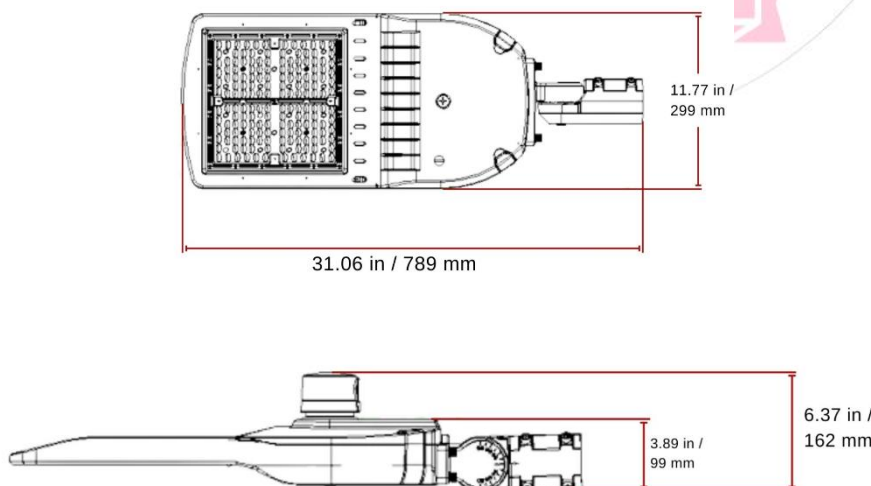


DLC #: RGL-TORVAN2-240W

PRODUCT FEATURES & COMMON USE APPLICATIONS

- | | |
|--|---|
| <ul style="list-style-type: none"> ➤ Lumileds Chip, high CRI; ➤ Input voltage 120-277VAC; ➤ Output constant current lever can be; ➤ adjusted through output cable with 0-10V; ➤ No UV or IR in the beam; ➤ Easy to install and operate; ➤ Energy saving, long lifespan; ➤ Light is soft and uniform, safe to eyes; ➤ Instant start, NO flickering, NO humming; ➤ Green and eco-friendly without mercury; | <ul style="list-style-type: none"> ➤ Outdoor basketball court, tennis court; ➤ Badminton court, the football field; ➤ The school playground, stadium; ➤ Community leisure entertainment plaza, road lamp etc; |
|--|---|

DIMENSIONS



LEGENDARY USA SUPPORT



US based phone and online customer support





PRODUCT TECHNICAL SPECIFICATIONS

OPTICAL	Input Power (Tolerance : ±10%)	240W (Wattage adjustable:240W-185W-150W-100W-60W)
	Color Temperature	3000K
	Lumen (Tolerance : ±10%)	31440LM 24235LM 19650LM 13100LM 7860LM
	Efficacy (Tolerance : ±3%)	131LM/W
	CRI	>80
	Color Consistency	<7 Steps (or <7 SDCM)
	BUG	B4-U0-G3
	Distribution Pattern	Type II
	Beam Angle (50%) (Tolerance : ±5%)	150*100 Degree
ELECTRICAL	Input Voltage and Frequency	120-277VAC, 50/60Hz
	PF (Tolerance : -3%)	≥0.9
	THD (Tolerance : +5%)	≤20%
	Flicker Percent	<5%
	Driver Brand	SOSEN
	Driver Model	SS-240VP-56BH
	Driver Surge protection	L/N-PE: 10kV, L-N: 6kV
	Dimming	0-10V dimming standard
	Sensor Type	Occupancy Sensor, Exterior Photocell, Integral Sensor Receptacle
Optional Accessory	Sensor Receptacle+Photosensor /Sensor Receptacle+Short Cap, Motion Sensor	
MATERIALS	LED Brand	Bridgelux or Seoul
	LED Type	SMD3030
	LED QTY	336 PCS
	Housing	Die-cast aluminum
	Housing Color	Grey/Silver
	EPA	2.4 ft ²
	Waterproof Rating	WET (IP65)
OTHERS	Operating Temperature	Without Motion Sensor: -40°C TO 50°C; With Motion Sensor: -35°C TO 50°C
	Storage Temperature	-40°C TO 90°C
	Operating Humidity	10% - 90% RH
	Storage Humidity	5% - 95% RH
	Warranty	5 years

PRODUCT MOUNTS & ACCESSORIES



AM



DM



YM



DLC SPECS

Product ID: PLVSW7ROAL25



RGL-TORVAN2-240WS1PT2A1-ab[10SP;20SP;blank][PS;MS;blank]eW30

Manufacturer: RuggedGrade
Brand: RuggedGrade

PRODUCT OVERVIEW

Model Number	RGL-TORVAN2-240WS1PT2A1-ab[10SP;20SP;blank][PS;MS;blank]eW30
Classification	Premium
Primary Use	Outdoor Pole/Arm-Mounted Area and Roadway Luminaires
Reported Input Wattage	235.68 W
Reported Light Output	30901 lm
Reported CCT	3000 K
Reported CRI (Ra)	70
Product ID	PLVSW7ROAL25
DLC Family Code	EMWALJ
Listing Status	Listed
Date Qualified	2021-12-23

PRODUCT INFORMATION

Qualified Product List	Solid State Lighting
Technical Requirements Version	5.1
Product ID	PLVSW7ROAL25
Manufacturer	RuggedGrade
Brand	RuggedGrade
Model Number	RGL-TORVAN2-240WS1PT2A1-ab[10SP;20SP;blank][PS;MS;blank]eW30
Parent	Yes

PRODUCT CATEGORIZATION

[VIEW DETAILS](#)

CONTROL FEATURES

[VIEW DETAILS](#)

REPORTED PHOTOMETRIC PERFORMANCE

Reported Light Output	30901 lm
Reported Efficacy (AC)	131.11 lm/W
Reported CCT	3000 K
Reported CRI (Ra)	70
Reported R9	-35
Reported IES Rf	78
Reported IES Rg	92
Reported IES Rcs,h1	-17

REPORTED ELECTRICAL PERFORMANCE

Reported Input Wattage	235.68 W
Reported Total Harmonic Distortion	15 %
Reported Power Factor	0.9
Reported Minimum Input Wattage	60 W
Reported Maximum Input Wattage	235.7
Reported Default Input Wattage	235.7 W
Voltage Range	120-277 V



PHOTOMETRICS

Luminaire Property

Luminaire Manufacturer:
 Luminaire Category:
 Lamp Catalog:
 Number of Lamps:
 Luminous Length (mm):
 Luminous Height (mm):
 Current: 1.965 A
 Power Factor: 0.999

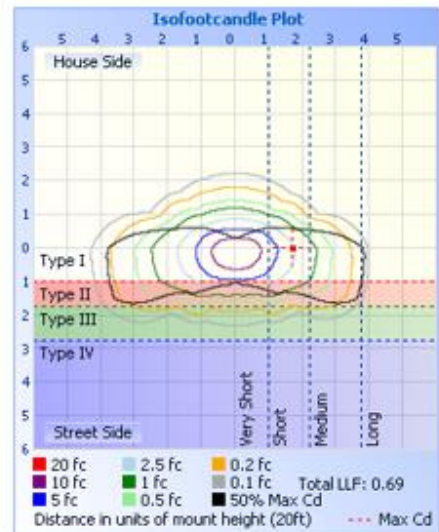
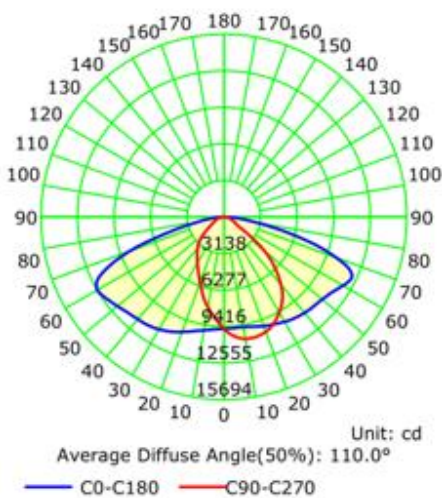
Luminaire Description:
 Lamp Description:
 Lumens per Lamp:
 Luminous Width (mm):
 Voltage: 120.0 V
 Power: 235.68 W

Photometric Results

IES Classification: Type II
 Total Rated Lamp Lumens: 30901.0 lm
 Efficiency: 100%
 Upward Ratio: 0%
 C0r0 Intensity: 9614.48 cd
 Pos of Max. Intensity: H180 V60

Longitudinal Classification: Short
 Measurement Flux: 30901 lm
 Downward Ratio: 100%
 Luminaire Efficacy Rating (LER): 131.16
 Max. Intensity: 12555.63 cd

Luminous Intensity Distribution Curve



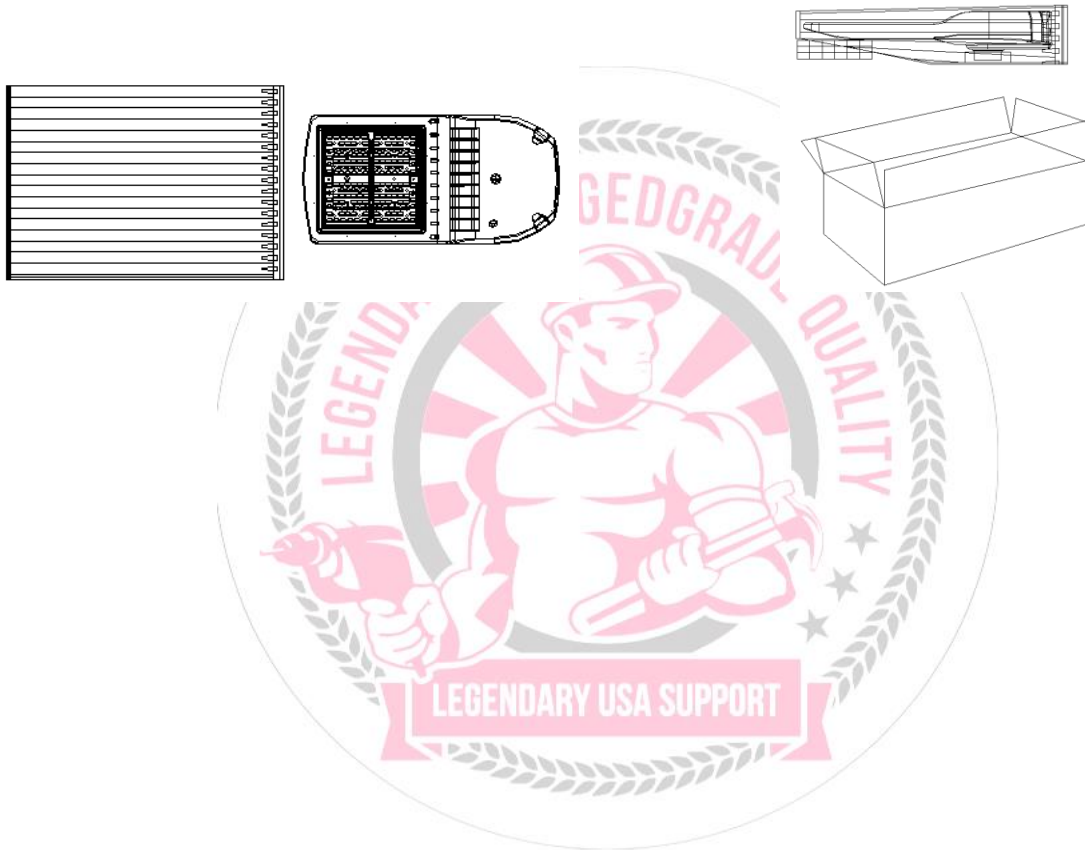
PRODUCT IMAGES



PRODUCT PACKAGING

Stent Type	Lamp Net Weight	Size	Qty / Carton	Gross Weight /
NO Bracket	6.1KG	720*345*120 MM	1PC	6.9KG
AM	7.3KG	810*345*140 MM	1PC	8.2KG
DM	7.5KG	840*345*140 MM	1PC	8.5KG
YM	7.1KG	810*345*140 MM	1PC	8.0KG
A&D	7.9KG	840*345*140 MM	1PC	8.9KG
RAM	7.15KG	810*345*140 MM	1PC	8.15KG

Tolerance of Carton Size: ±15 MM, Tolerance of Weight: ±10%.



PRODUCT WARNINGS

- ⚡ Please turn off power before install or change assembly parts.
- ⚡ The input voltage and lamps should be matched, after connecting the power line.
- ⚡ Please make sure the wiring section is insulated.
- ⚡ Professionals must install and disassemble the lamps.
- ⚡ Surge is the number 1 cause of LED light failure. Outdoor lights must have surge at fixture, pole, and breaker.
- ⚡ Surge is the number 1 cause of LED light failure. Indoor lights must have surge at fixture and breaker.

PRODUCT TROUBLESHOOTING

Issue	Check points
Light Flickers	Check all wiring for disconnections, shorts and burnt wiring and connections. Confirm steady input voltage to the light fixture, fluctuating input voltage will harm the LED driver and can lead to premature failure. Lights with photocells can have photocell tag from ambient light or light reflecting at the sensor. Simply cover the photocell completely and see if flickering continues while the photocell is covered. Call Tech Support for help if none of the above solves the issue.
Light does not work at all.	Check all wiring for disconnections, shorts and burnt wiring and connections. Confirm steady input voltage to the light fixture, fluctuating input voltage will harm the LED driver and can lead to premature failure. If input voltage is not in the voltage range of the fixture, you will need to find the source of your input voltage issue. Call Tech Support for help if none of the above solves the issue.

For more technical information, install questions, troubleshooting help or warranty claims, we have a dedicated US Tech and Customer Support Team to help solve any issues you have and can be reached by email or phone. If you need help with any of our products, we are here for you so that you are never in the dark!

**BETTER LIGHTS.
BETTER SUPPORT.**

