

PRODUCT DESCRIPTION

The new canopy light is now with a sleek & smaller design sporting advanced and improved standard features, including precision optics and more available options.



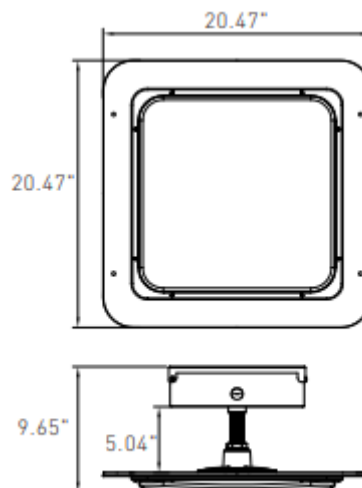
PART #:

RG-CANOPY-240WL1B1T2A1

PRODUCT FEATURES & COMMON USE APPLICATIONS

- UL cUL DLC certificate.
- Mounting J box greatly help installation and maintenance
- Input voltage 120-277VAC.
- Output constant current lever can be adjusted through output cable with 0-10V.
- No UV or IR in the beam.
- Easy to install and operate.
- Energy saving, long lifespan.
- Light is soft and uniform, safe to eyes.
- Instant start, NO flickering, NO humming.
- Green and eco-friendly without mercury.
- Warehouse, factory, and workshops.
- Highway toll station and gas station.
- Exhibition hall.
- Gymnasium and supermarkets, etc

PRODUCT DIMENSIONS



Rugged Grade Lighting
Industrial Grade Solutions



LEGENDARY USA SUPPORT



US based
phone and online
customer support



888-933-2470

sales@ruggedgrade.com



PRODUCT INSTALLATION INSTRUCTION

OPTICAL	Input Power (Tolerance : ±10%)	240W
	Color Temperature	5700K
	Lumen (Tolerance : -10%)	33600LM
	Efficacy (Tolerance : -3%)	140LM/W
	CRI	>80
	Color Consistency	<7 Steps (or <7 SDCM)
	Diffuser Type	PC Lens
	Beam Angle (50%) (Tolerance :	110 Degree
	Input Voltage and Frequency	120-277VAC, 50/60Hz
ELECTRICAL	PF (Tolerance : -3%)	≥0.9
	THD (Tolerance : +5%)	≤20%
	Flicker Percent	<5%
	Driver Brand	Rugged Grade Lighting
	Driver Model	Rugged Grade Lighting Driver
	Driver Surge protection	NA
	Dimming	0-10V dimming standard
	Optional Accessory	Motion Sensor, Surge-protective Device
	LED Brand	Lumileds
MATERIALS	LED Type	SMD2835
	LED QTY	200PCS
	Housing	Die-cast aluminum
	Housing Color	Black, White, or Customized
	Waterproof Rating	WET (IP65)
	Operating Temperature	-40°C TO 40°C
OTHERS	Storage Temperature	-40°C TO 80°C
	Operating Humidity	-40% - 90% RH
	Storage Humidity	10% - 95% RH
	Warranty	5 years warranty with 24/7 operating hours Luminaire lifetime at

PRODUCT MOUNTS & ACCESSORIES



PRODUCT INSTALLATION INSTRUCTION

Cautions:

1. Can not use the electric generator to test the LED light.
2. Please abide by related country, regional and local law and regulations when install this fixture.
3. Please turn off the power before installation or maintenance.
4. Proper earth grounding is required to ensure safety.

Notice:

1. To avoid possibility of electrical shock or fire, the installation personnel must have professional electric knowledge.
2. Please wear gloves to avoid injury before installation.
3. If any smoke or spark of the wire happened, please turn off the power immediately and notify relevant personnel.

Attention:

1. Please check if there is any damage during shipping. If so, please contact manufacturer timely.
2. Please read the installation instruction carefully to check whether all the accessories are complete. After confirmation, then install the fixture according to installation steps.

Installation Steps:

1. Screw the aluminum pipe into the heatsink. [Figure 1]



Figure 1

2. Screw the safety rope to heatsink by screwdriver. [Figure 2]



Figure 2

3. Drill the installation hole accordingly on the ceiling. [Figure 3]

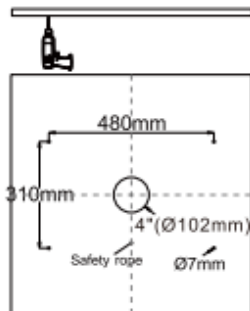


Figure 3

4. Lock the safety rope to the ceiling, assemble the installation plate to the aluminum pipe, then install led fixture. [Figure 4]



Figure 4



PRODUCT INSTALLATION INSTRUCTION

5. Take the driver box apart by screwdriver. (Figure 5)

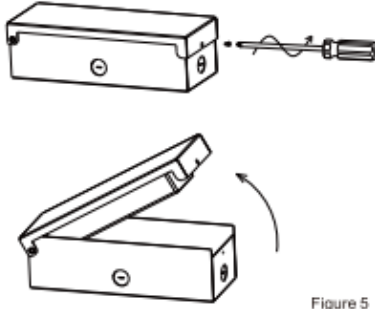


Figure 5

6. Assemble the 3/4 pipe nut to the aluminum pipe (fix the height and direction of driver box), across the DC connector through driver box, then screw the driver box onto the aluminum pipe. (Figure 6)

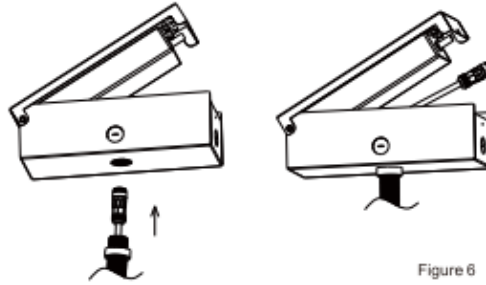


Figure 6

7. Connect the DC connector of the LED fixture with the driver's DC connector. Remove the holes of the driver box if necessary. (Figure 7)

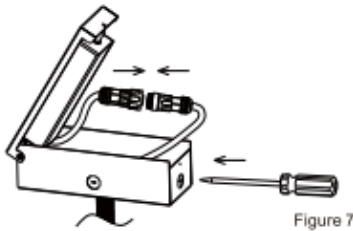


Figure 7

8. Connect the LED fixture to local power with necessary connector protection measures. (Figure 8)

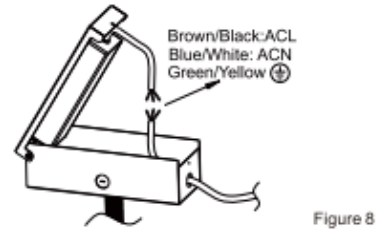


Figure 8

9. Finally, assemble the driver box. (Figure 9) (Figure 10)

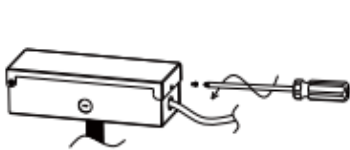


Figure 9

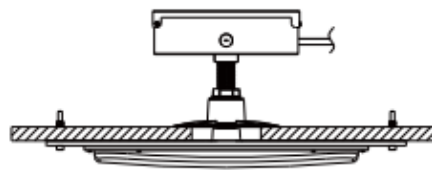
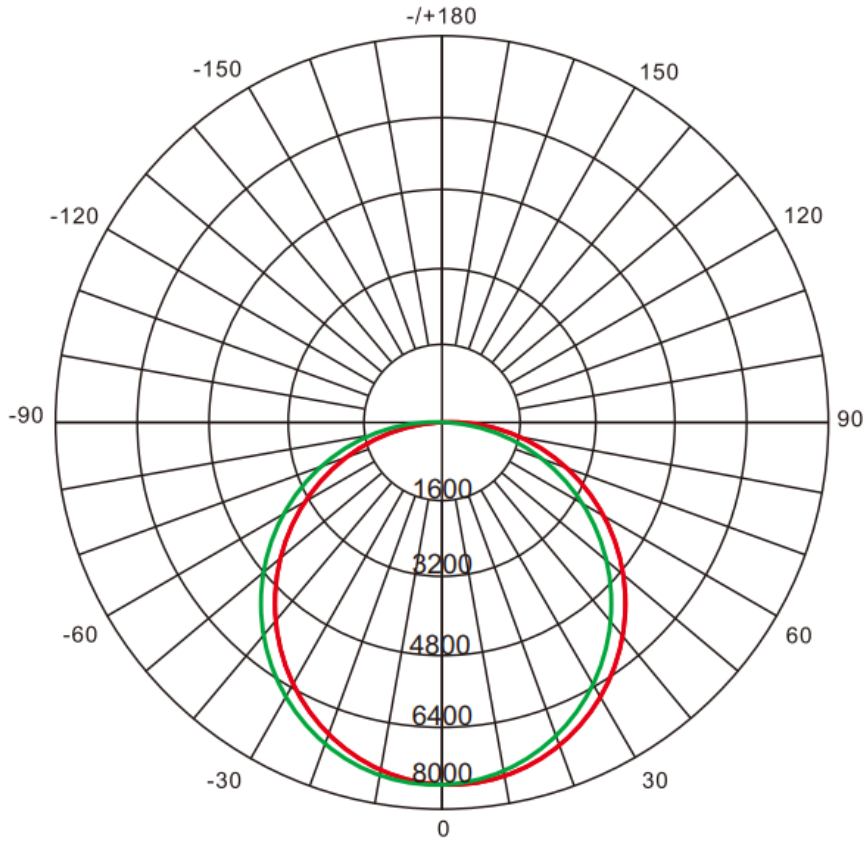


Figure 10



PHOTOMETRICS



AVERAGE BEAM ANGLE(50%): 110°

UNIT:CD

Lumens:33600LM
Test Number:240W
Test Number:5000K

- C0/180,118.9
- C30/210,112.2
- C60/240,111.6
- C90/270,117.1



PRODUCT WARNINGS

- ⚡ Please turn off power before install or change assembly parts.
- ⚡ The input voltage and lamps should be matched, after connecting the power line.
- ⚡ Please make sure the wiring section is insulated.
- ⚡ Professionals must install and disassemble the lamps.
- ⚡ Surge is the number 1 cause of LED light failure. Outdoor lights must have surge at fixture, pole, and breaker.
- ⚡ Surge is the number 1 cause of LED light failure. Indoor lights must have surge at fixture and breaker.

PRODUCT TROUBLESHOOTING

Issue	Check points
Light Flickers	Check all wiring for disconnections, shorts and burnt wiring and connections. Confirm steady input voltage to the light fixture, fluctuating input voltage will harm the LED driver and can lead to premature failure. Lights with photocells can have photocell tag from ambient light or light reflecting at the sensor. Simply cover the photocell completely and see if flickering continues while the photocell is covered. Call Tech Support for help if none of the above solves the issue.
Light does not work at all.	Check all wiring for disconnections, shorts and burnt wiring and connections. Confirm steady input voltage to the light fixture, fluctuating input voltage will harm the LED driver and can lead to premature failure. If input voltage is not in the voltage range of the fixture, you will need to find the source of your input voltage issue. Call Tech Support for help if none of the above solves the issue.

For more technical information, install questions, troubleshooting help or warranty claims, we have a dedicated US Tech and Customer Support Team to help solve any issues you have and can be reached by email or phone. If you need help with any of our products, we are here for you so that you are never in the dark!

**BETTER LIGHTS.
BETTER SUPPORT.**

