

200W VIRID II | LED GROW LIGHT



PRODUCT DESCRIPTION

The Virid Series LED Grow Light 200W is a high-performance horticultural lighting solution designed for optimal plant growth. Featuring a full spectrum range from 380nm to 780nm, it supports the cultivation of fruits, vegetables, and cannabis. Compact and efficient, this grow light is equipped with advanced quantum board technology, dimming options, and plug-and-play installation for ease of use.



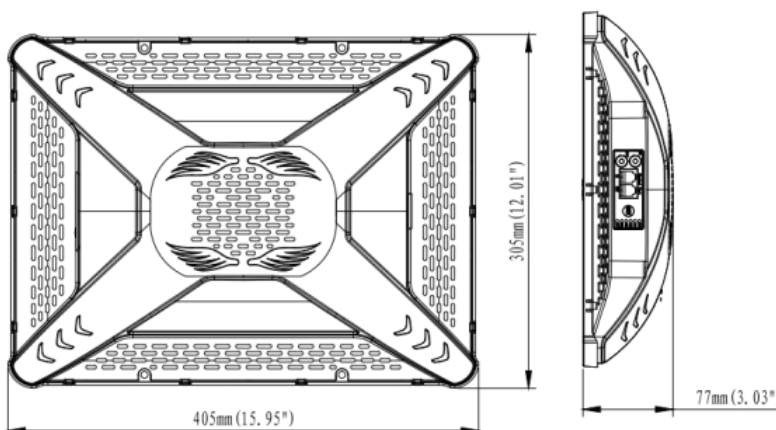
Part #: RGL-VIRID-2-200W

PRODUCT FEATURES & LOCATIONS

- UL cUL certificate.
 - Input voltage 120-277VAC.
 - No UV or IR in the beam.
 - Easy to install and operate.
 - Energy saving, long lifespan.
 - Light is soft and uniform, safe to eyes.
 - Instant start, NO flickering, NO humming.
 - Green and eco-friendly without mercury.
- Green Houses
 - Small Gardens
 - Large Farming Operation



PRODUCT DIMENSIONS



Rugged Grade Lighting
Industrial Grade Solutions



LEGENDARY USA SUPPORT



US based
phone and online
customer support



888-953-2476
sales@ruggedgrade.com

PRODUCT TECHNICAL SPECIFICATIONS

OPTICAL	Input Power (Tolerance : ±10%)	200W
	System efficacy(±10%)	2.3 μmol/J@230 V AC
	PAR Output	460 μmol/s
	ePAR Output	478 μmol/s
	Voltage input	120-240 V AC, 120-277 V AC 50-60 Hz
	Current Range	1.67 A@120 VAC, 0.72 A@277 VAC
	Isolation	Class I
	Heat BTU Generated	682 BTUs/h
	Power Factor	≥0.9
	Beam Angle (50%) (Tolerance :	100x100
ELECTRICAL	Input Voltage and Frequency	120-277VAC, 50/60Hz
	PF (Tolerance : -3%)	≥0.9
	THD (Tolerance : +5%)	≤20%
	Dimming	0-10V
	Driver Brand	Rugged Grade Lighting
	Driver Model	RG-200W-120V
	Housing	Aluminum Alloy
	Housing Color	White
	Waterproof Rating	WET (IP66)
MATERIALS	Operating Temperature	0°C to 40°C/32°F to 104°F (95% RH)
	Storage Temperature	-40°C to 70°C/32°F to 104°F (85% RH)
	CTN SIZE	430 x 330 x 105 mm 16.93" x 12.99" x4.13"
	Net Weight	1.97 kg/4.33 lbs
	Warranty	3 years warranty

PRODUCT MOUNTS & ACCESSORIES



PRODUCT IMAGES & ACTUAL INSTALLATIONS

Spectrum



440nm Royal Blue



460nm Blue



525nm Green



625nm Red



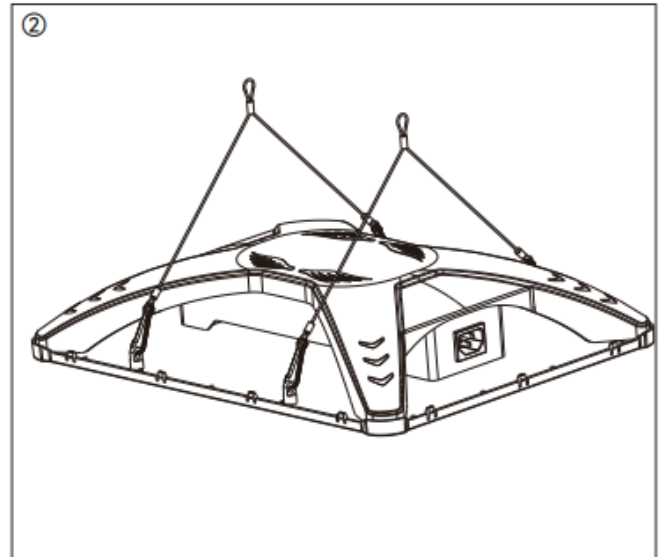
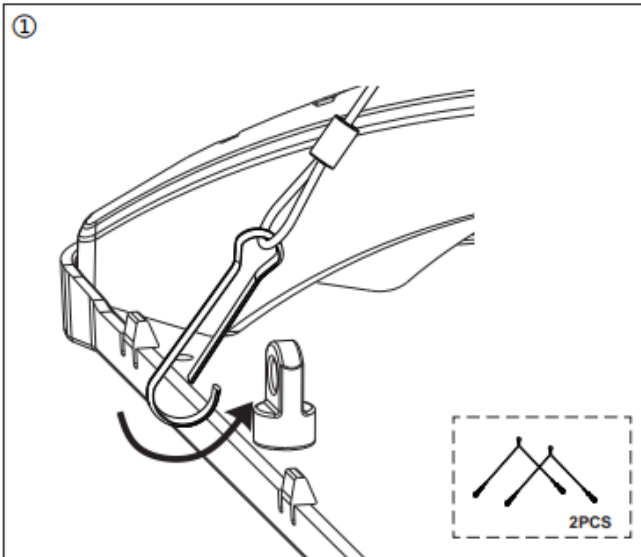
660nm Deep Red



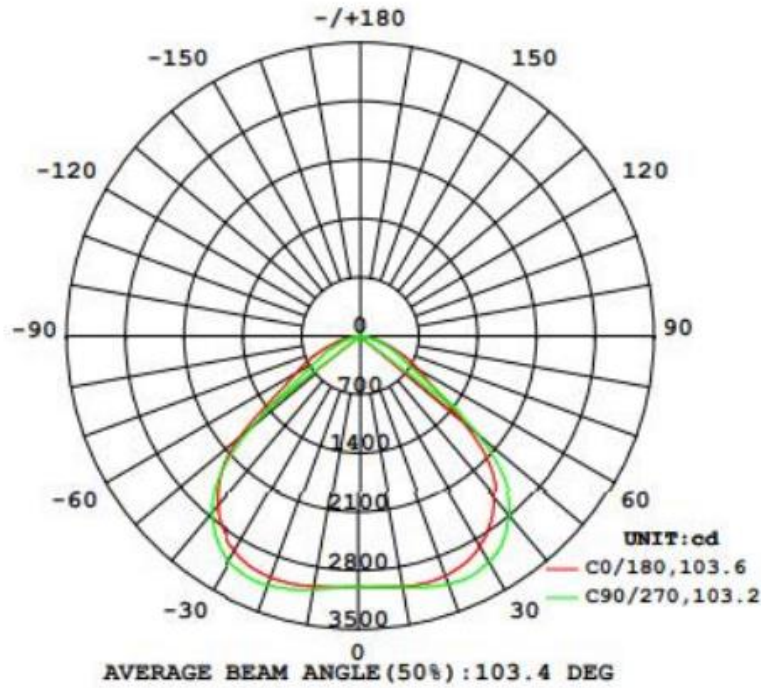
730nm Deep Red

380-800nm Full Spectrum

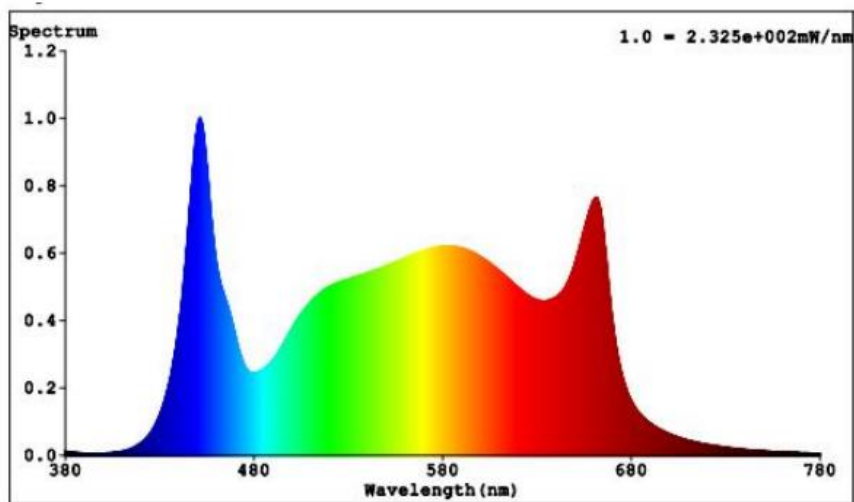
Research has shown that plants do best with full spectrum lighting. Targeted spectrums can often starve plants of needed energy.



PHOTOMETRICS



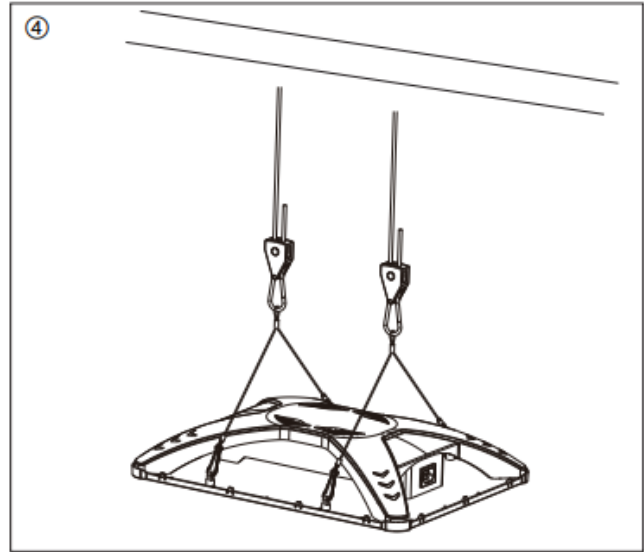
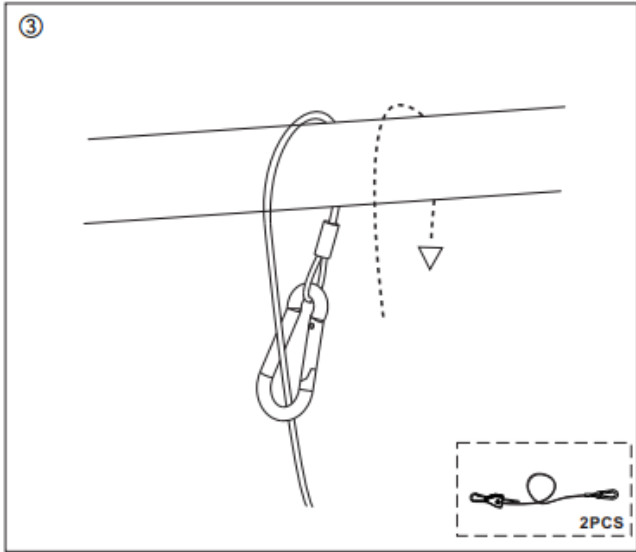
Beam Angle
100 ° X 100 °



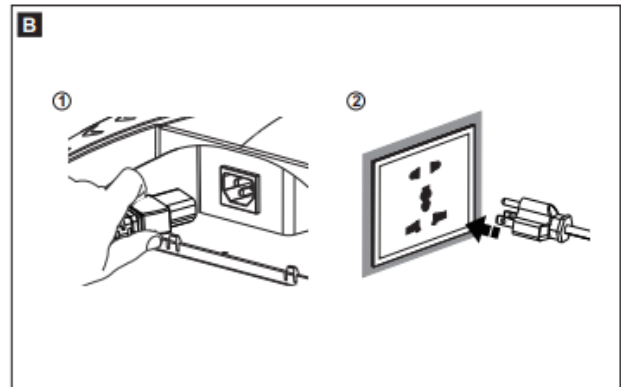
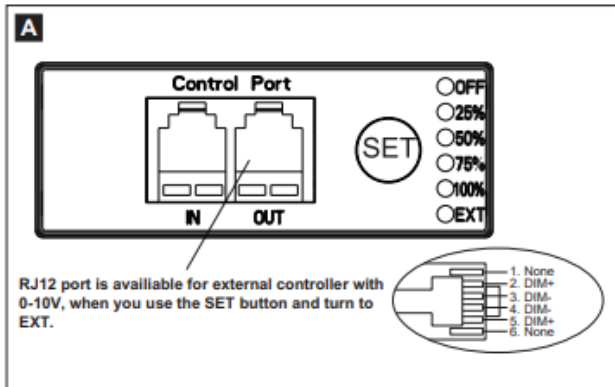
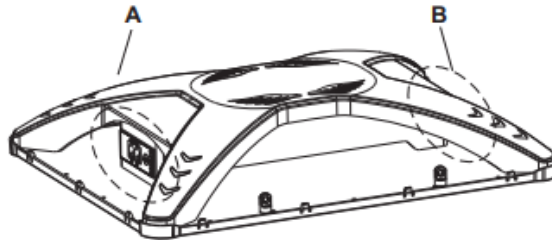
Spectrum Code
HL26-P02-03



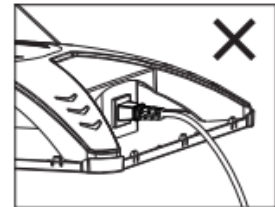
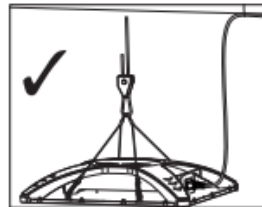
INSTALLATION GUIDE



Dimming Function



The AC cable must be secured to avoid damage to the connector caused by gravity. The diagram depicts the wire-fixing method is for illustration purposes.



Attention:

- When taking, moving and installing the lamp, do not touch or use tools on the luminous surface. Please check the LED chip before use.
- Warning: Please note that the assembly process must ensure the plug-play connector is tightly connected. After the installation is completed, please do a self-check for the confirmation of the connector to prevent poor wire connection and wire burn!
- The light source contained in this luminaire shall only be replaced by the manufacturer or his service agent or a similar qualified person.
- If the external flexible cable or cord of this luminaire is damaged, it shall be exclusively replaced by the manufacturer or his service agent or a similar qualified person in order to avoid a hazard



PRODUCT WARNINGS

- ⚡ Please turn off power before install or change assembly parts.
- ⚡ The input voltage and lamps should be matched, after connecting the power line.
- ⚡ Please make sure the wiring section is insulated.
- ⚡ Professionals must install and disassemble the lamps.
- ⚡ Surge is the number 1 cause of LED light failure. Outdoor lights must have surge at fixture, pole, and breaker.
- ⚡ Surge is the number 1 cause of LED light failure. Indoor lights must have surge at fixture and breaker.

PRODUCT TROUBLESHOOTING

Issue	Check points
Light Flickers	Check all wiring for disconnections, shorts and burnt wiring and connections. Confirm steady input voltage to the light fixture, fluctuating input voltage will harm the LED driver and can lead to premature failure. Lights with photocells can have photocell tag from ambient light or light reflecting at the sensor. Simply cover the photocell completely and see if flickering continues while the photocell is covered. Call Tech Support for help if none of the above solves the issue.
Light does not work at all.	Check all wiring for disconnections, shorts and burnt wiring and connections. Confirm steady input voltage to the light fixture, fluctuating input voltage will harm the LED driver and can lead to premature failure. If input voltage is not in the voltage range of the fixture, you will need to find the source of your input voltage issue. Call Tech Support for help if none of the above solves the issue.

For more technical information, install questions, troubleshooting help or warranty claims, we have a dedicated US Tech and Customer Support Team to help solve any issues you have and can be reached by email or phone. If you need help with any of our products, we are here for you so that you are never in the dark!

BETTER LIGHTS. BETTER SUPPORT.

