

PRODUCT DESCRIPTION

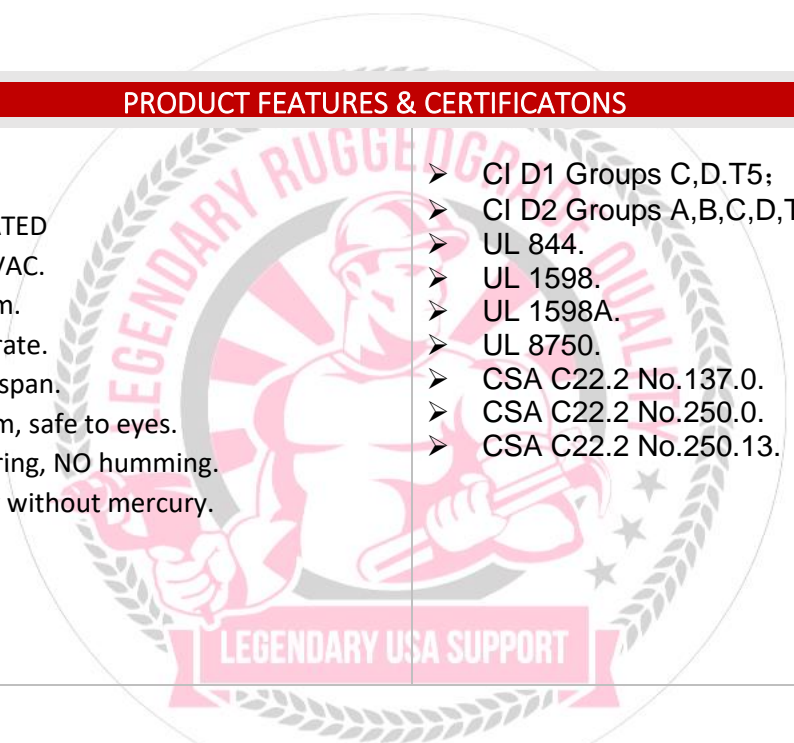
The New Hercules II Series is here with a new flood munt design but keeps all toughness of an explosion proof light. This New model comes with all necessary C1D1 and C1D2 certifications!



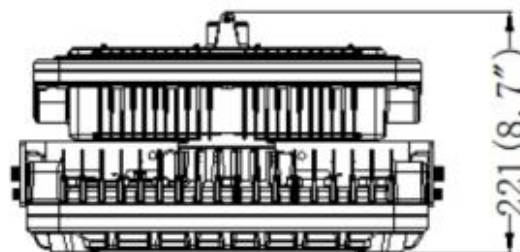
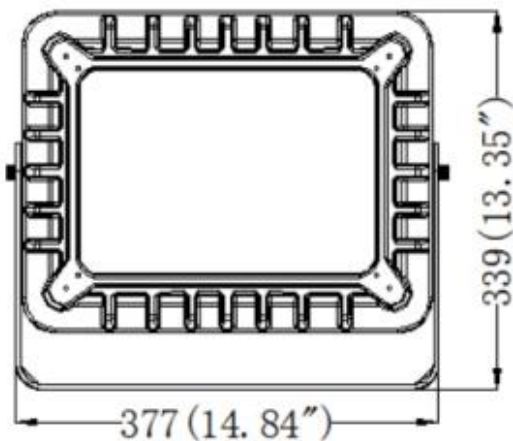
PART #: RGL-HERCULES-2-200W

PRODUCT FEATURES & CERTIFICATIONS

- UL cUL certificate.
- IK09 SHATERPROOF RATED
- Input voltage 120-277VAC.
- No UV or IR in the beam.
- Easy to install and operate.
- Energy saving, long lifespan.
- Light is soft and uniform, safe to eyes.
- Instant start, NO flickering, NO humming.
- Green and eco-friendly without mercury.
- CI D1 Groups C,D,T5;
- CI D2 Groups A,B,C,D,T4.
- UL 844.
- UL 1598.
- UL 1598A.
- UL 8750.
- CSA C22.2 No.137.0.
- CSA C22.2 No.250.0.
- CSA C22.2 No.250.13.



PRODUCT DIMENSIONS



Rugged Grade Lighting
Industrial Grade Solutions



888-953-2476
sales@ruggedgrade.com

LEGENDARY USA SUPPORT



US based phone and online customer support



PRODUCT TECHNICAL SPECIFICATIONS

| | | |
|-------------------|--------------------------------|--|
| OPTICAL | Input Power (Tolerance : ±10%) | 200W |
| | Color Temperature | 5000K |
| | Cover | Clear Glass+ Lens |
| | Lumen (Tolerance : -10%) | 31000LM |
| | Efficacy (Tolerance : -3%) | 155LM/W |
| | CRI | >70 |
| | Diffuser Type | PC Lens |
| | Beam Angle (50%) (Tolerance : | 140°×120° |
| | Input Voltage and Frequency | 120-277VAC, 50/60Hz |
| ELECTRICAL | PF (Tolerance : -3%) | ≥0.9 |
| | THD (Tolerance : +5%) | ≤20% |
| | Flicker Percent | <5% |
| | Driver Brand | Sosen |
| | Driver Model | SS-200VP-56BH |
| | Driver Surge protection | L/N-PE: 10kV, L-N: 6kV |
| | LED Brand | Lumileds |
| | LED Type | SMD3030 |
| | LED QTY | 312 PCS |
| MATERIALS | Housing | Die-cast aluminum |
| | Housing Color | Grey, or Customized |
| | Waterproof Rating | WET (IP66) |
| | Operating Temperature | -40°C TO 55°C |
| | Storage Temperature | -40°C TO 80°C |
| | Operating Humidity | 10% - 90% RH |
| | Storage Humidity | 5% - 95% RH |
| OTHERS | Warranty | 5 years warranty with 24/7 operating hours Luminaire lifetime at 25°C. |

PRODUCT MOUNTS & ACCESSORIES



Light shield



PM

U-shape buckle



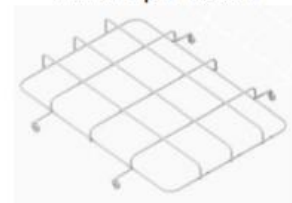
FM-shape buckle



HM-Hchain mount



cable mount



wire guard





PRODUCT IMAGES & ACTUAL INSTALLATIONS

1. Suitable for gas station, petroleum and chemical industries, coal mine, military, airport, warehouse, marine etc.
2. Zone1 & Zone2 gaseous environment, and Zone21 & Zone22 dust environment.
3. Class I Division 2 Group A, B, C, D



Chemical Factory



Offshore Oil Mining



Military Ship



Army Base



Gas Station



Petrol Process Factory



Traning Camp



Navy Port



PHOTOMETRICS

(5000K,7H6V)

Luminaire Property

Luminaire Manufacturer:
Voltage: 120.8 V
Power: 204.30 W

Current: 1.696 A
Power Factor: 0.997

Photometric Results

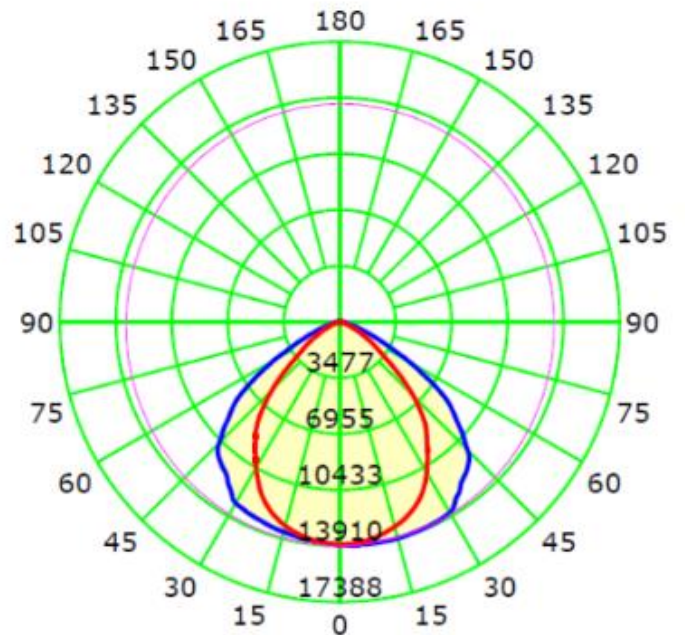
IES Classification: Type I
Total Rated Lamp Lumens: 31316.6 lm
Efficiency: 100%
Upward Ratio: 0%
Central Intensity: 13805.4 cd
Pos of Max. Intensity: H0 V13

Longitudinal Classification: Very Short
Measurement Flux: 31316.6 lm
Downward Ratio: 100%
Luminaire Efficacy Rating (LER): 153.34
Max. Intensity: 13910.74 cd

Picture Of Luminaire



Luminous Intensity Distribution Curve



Unit: cd

Average Diffuse Angle(50%): 99.1°

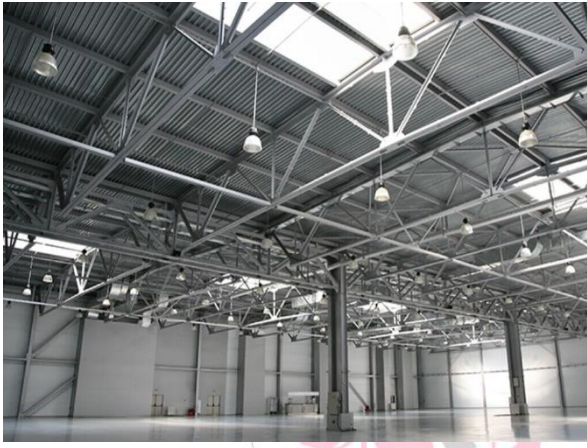
— C0-C180 — C90-C270 — G13



PRODUCT PACKAGING

| | | |
|------------------|---------------|--|
| | | clear glass (with U-shape bracket or FM bracket) |
| Lamps Net Weight | | 15.7kg |
| Outer box | size | 452×442×285mm |
| | Qty/ Carton | 1 PC |
| | Weight/Carton | 17.3kg |

b*Tolerance of Carton Size: ± 15 MM, Tolerance of Weight: $\pm 10\%$.



PRODUCT WARNINGS

- ⚡ Please turn off power before install or change assembly parts.
- ⚡ The input voltage and lamps should be matched, after connecting the power line.
- ⚡ Please make sure the wiring section is insulated.
- ⚡ Professionals must install and disassemble the lamps.
- ⚡ Surge is the number 1 cause of LED light failure. Outdoor lights must have surge at fixture, pole, and breaker.
- ⚡ Surge is the number 1 cause of LED light failure. Indoor lights must have surge at fixture and breaker.

PRODUCT TROUBLESHOOTING

| Issue | Check points |
|-----------------------------|--|
| Light Flickers | Check all wiring for disconnections, shorts and burnt wiring and connections. Confirm steady input voltage to the light fixture, fluctuating input voltage will harm the LED driver and can lead to premature failure. Lights with photocells can have photocell tag from ambient light or light reflecting at the sensor. Simply cover the photocell completely and see if flickering continues while the photocell is covered. Call Tech Support for help if none of the above solves the issue. |
| Light does not work at all. | Check all wiring for disconnections, shorts and burnt wiring and connections. Confirm steady input voltage to the light fixture, fluctuating input voltage will harm the LED driver and can lead to premature failure. If input voltage is not in the voltage range of the fixture, you will need to find the source of your input voltage issue. Call Tech Support for help if none of the above solves the issue. |

For more technical information, install questions, troubleshooting help or warranty claims, we have a dedicated US Tech and Customer Support Team to help solve any issues you have and can be reached by email or phone. If you need help with any of our products, we are here for you so that you are never in the dark!

**BETTER LIGHTS.
BETTER SUPPORT.**

