

300W 1x2 FULLY TUNABLE | LED HIGH BAY LINEAR LIGHT



PRODUCT DESCRIPTION

The ultimate premium LED Linear High Bay Light with 150lm/w efficiency for cost savings, 0-100% dimmability for ambiance control. Featuring a comfortable, glare-free matte lens and iron housing, it's DLC Premium 5.1 certified for rebates.

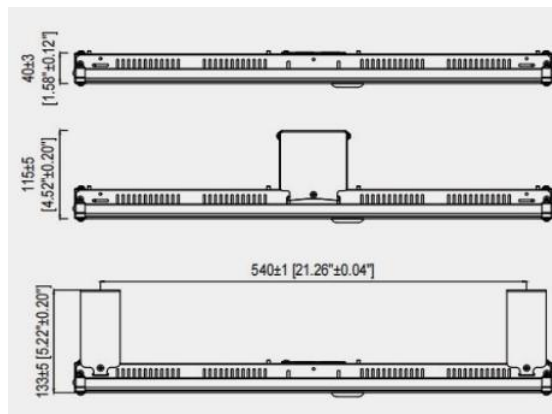
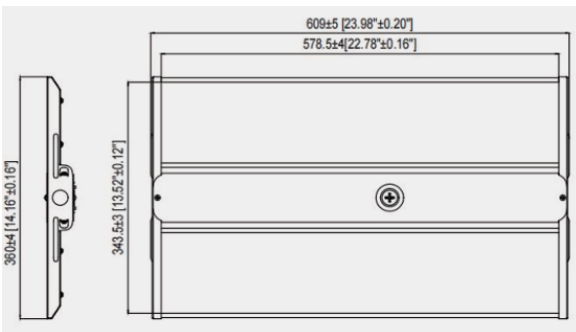


PART #: RG-300W-LHB-TT

PRODUCT FEATURES & COMMON USE APPLICATIONS

- UL, cUL, certificate.
- Lumileds Chip, high CRI.
- Input voltage 120-277VAC.
- Wattage adjustable.
- Output constant current lever can be adjusted through output cable with 0-10V.
- No UV or IR in the beam.
- Easy to install and operate.
- Energy saving, long lifespan.
- Light is soft and uniform, safe to eyes.
- Instant start, NO flickering, NO humming.
- Green and eco-friendly without mercury.
- Warehouse, factory and workshops.
- Exhibition Hall and supermarkets, etc.

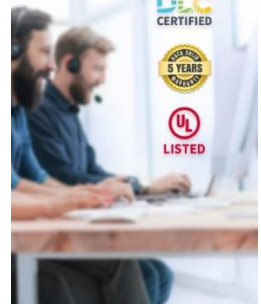
PRODUCT DIMENSIONS



LEGENDARY USA SUPPORT



US based phone and online customer support



Rugged Grade Lighting
Industrial Grade Solutions



888-953-2476
sales@ruggedgrade.com

PRODUCT TECHNICAL SPECIFICATIONS

OPTICAL	Input Power (Tolerance: ±10%)	300W/275W/255W(Wattage selectable model)
	Color Temperature	4000K/5000K
	Lumen (Tolerance: -10%)	42000 LM
	Efficacy (Tolerance: -3%)	150 LM/W
	CRI	>80
	Diffuser Type	PC Lens
	Beam Angle (50%) (Tolerance: ±15%)	90 Degree @ Matte Lens
	Input Voltage and Frequency	120-277VAC, 50/60Hz
	PF (Tolerance: -3%)	≥0.9
ELECTRICAL	THD (Tolerance: +5%)	≤20%
	Flicker Percent	<5%
	Driver Brand	Lifud
	Dimming	0-10V dimming standard
	Optional Accessory	AC/DC Motion Sensor, bbu
	LED Brand	Lumileds
	LED Type	SMD 2835
LED QTY	NA	
MATERIALS	Housing	Aluminum
	Housing Color	White
	Waterproof Rating	DAMP (IP20)
	Operating Temperature	Without Motion Sensor: -30°C TO 50°C
	Storage Temperature	-40°C TO 80°C
OTHERS	Operating Humidity	20% - 90% RH
	Warranty	5 years warranty with 24/7 operating hours Luminaire lifetime

PRODUCT MOUNTS & ACCESSORIES



Ceiling mounting



Iron chain



Iron hook



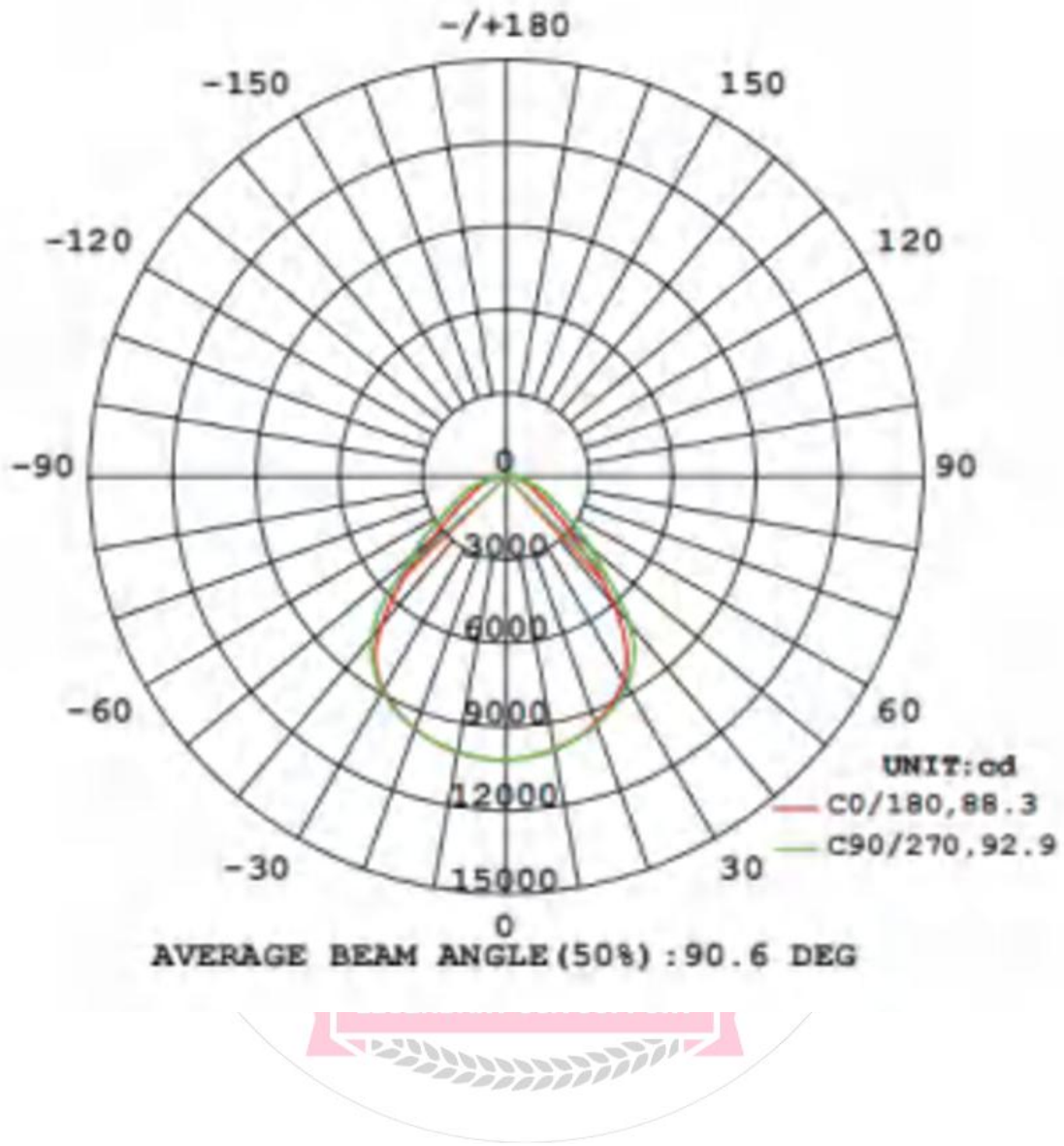
Ceiling box



PRODUCT IMAGES & ACTUAL INSTALLATIONS



PHOTOMETRICS





INSTALLATION INSTRUCTION

A. Hanging Installation: (Chain/Cable)

Step1. Hook up the chain; (Figure 1)

Step2. Connect the chain with fixture; (Figure 1)

Step3. Fix the chain on the rail, adjust the chain length as per need; (Figure 1)

Step4. After fixed, choose suitable wiring knock out, connect the wires according to local standard and code.

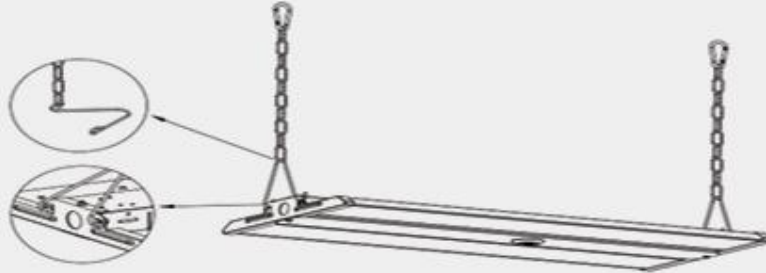


Figure 1

B. 3/4"NPT Installation:

Step1. Mount the bracket on 3/4"NPT; (Figure 2)

Step2. Lock fixture on the bracket; (Figure 3)

Step3. Connect the wires according to local standard and code.

Step4 Lock side brackets with screw driver. (Figure 4)



Figure 2

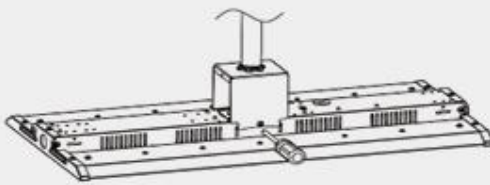


Figure 3

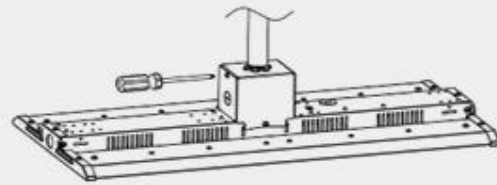


Figure 4

C. Surface Mounting: (If this bracket is used for the fixture, backup driver solution cannot be chosen)

Step1. Mount the bracket on the rail or ceiling; (Figure 5)

Step2. Assemble the lamp on the bracket and fix it with screws; (Figure 6)

Step3. After mounting, choose suitable wiring knock out and connect the wires according to local standard and code.



Figure 5



Figure 6



INSTALLATION INSTRUCTION

Extra Accessory Option Installation: 1:Wire Guard, 2:Motion Sensor / PIR Sensor,3: Backup driver

1.Wire Guard: (Purchase the correct size wire guard from manufacturer)

Step1. Unscrew the two screws on the front of the lamp; (Figure 7)

Step2. Place the wire guard on the lamp and fix it with screws. (Figure 8)



Figure 7

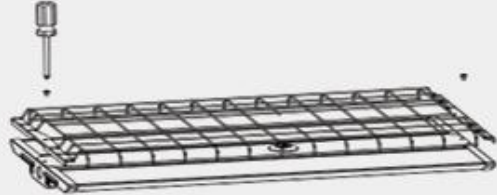


Figure 8

2-2. DC Motion Sensor / PIR Sensor (Both sensors are with the same installation method)

Step1. Use a screwdriver to remove the 1/2 plug from the sensor; (Figure 12)

Step2. Twist-lock the DC sensor to the base to make it work properly, use a remote control to adjust the working mode as per demand. (Figure 13)

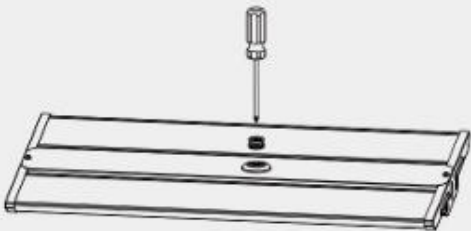


Figure 12

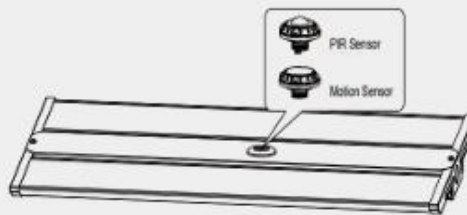


Figure 13

3: Backup driver

Step1.Connect the wires according to the wiring diagram. (Figure 14)

Wiring diagram (Maintained)

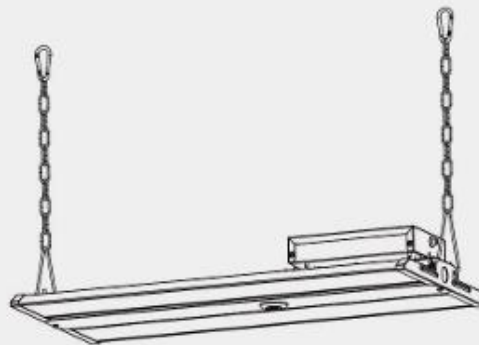
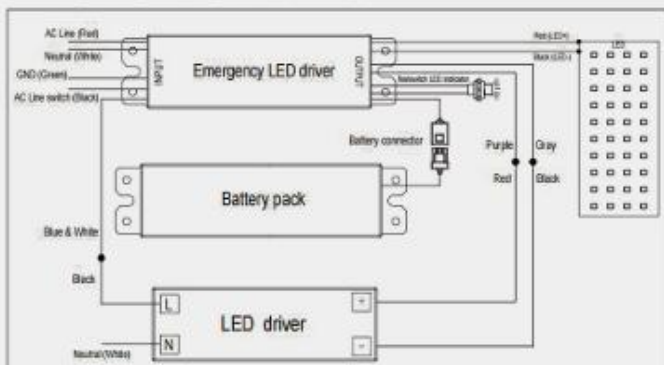


Figure 14



PRODUCT PACKAGING

	Carton Size	Qty / Carton	Net Weight / Carton	Gross Weight / Carton
Outer box (No Sensor/ DC Sensor)	25.98 x 14.96 x 2.76 inches	1 PC	12.1 LB	12.6 LB

*Tolerance of Carton Size: ± 15 MM, Tolerance of Weight: $\pm 10\%$.



Chain Installation



Surface Installation



Steeve Installation



PRODUCT WARNINGS

- ⚡ Please turn off power before install or change assembly parts.
- ⚡ The input voltage and lamps should be matched, after connecting the power line.
- ⚡ Please make sure the wiring section is insulated.
- ⚡ Professionals must install and disassemble the lamps.
- ⚡ Surge is the number 1 cause of LED light failure. Outdoor lights must have surge at fixture, pole, and breaker.
- ⚡ Surge is the number 1 cause of LED light failure. Indoor lights must have surge at fixture and breaker

PRODUCT TROUBLESHOOTING

Issue	Check points
Light Flickers	Check all wiring for disconnections, shorts and burnt wiring and connections. Confirm steady input voltage to the light fixture, fluctuating input voltage will harm the LED driver and can lead to premature failure. Lights with photocells can have photocell tag from ambient light or light reflecting at the sensor. Simply cover the photocell completely and see if flickering continues while the photocell is covered. Call Tech Support for help if none of the above solves the issue.
Light does not work at all.	Check all wiring for disconnections, shorts and burnt wiring and connections. Confirm steady input voltage to the light fixture, fluctuating input voltage will harm the LED driver and can lead to premature failure. If input voltage is not in the voltage range of the fixture, you will need to find the source of your input voltage issue. Call Tech Support for help if none of the above solves the issue.

For more technical information, install questions, troubleshooting help or warranty claims, we have a dedicated US Tech and Customer Support Team to help solve any issues you have and can be reached by email or phone. If you need help with any of our products, we are here for you so that you are never in the dark!

BETTER LIGHTS. BETTER SUPPORT.

