

PRODUCT DESCRIPTION

THE NEW SOLAR SERIES IS A NEW PRIVATE DESIGN LED SOLAR STREET LIGHT, WITH A SLIM DESIGN AND A HIGHER CONVERSION EFFICIENCY. MONO-CRYSTALLINE PHOTOVOLTAIC SOLAR PANEL WITH A 3.7V INPUT.

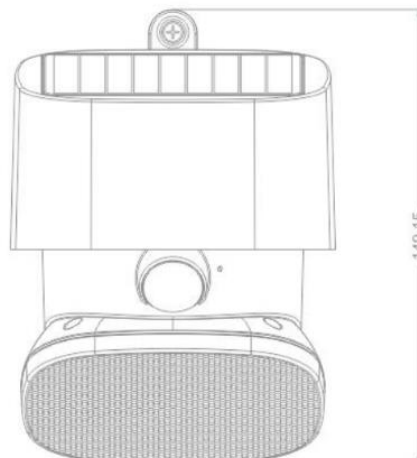
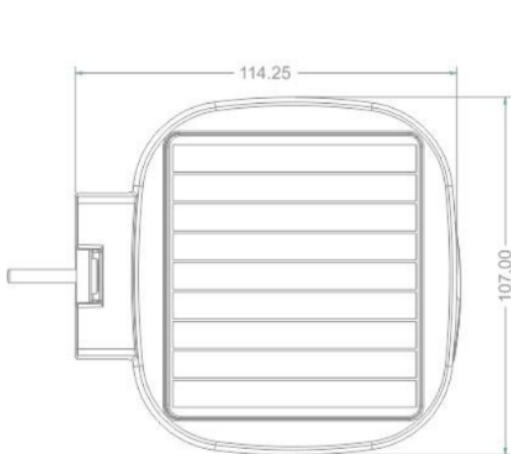


Part #: RG-15W-SOLAR

PRODUCT FEATURES & COMMON USE APPLICATIONS

- ✓ Nice design with lighter weight, easier installation
- ✓ Battery life is longer with an 10 hour charge
- ✓ Easy to install and operate
- ✓ Energy saving, long lifespan
- ✓ Instant start, NO flickering, NO humming
- ✓ Green and eco-friendly without mercury
- ✓ Street Lighting
- ✓ Outdoor landscaping light
- ✓ Building, The Hotel.
- ✓ Parking Lot

PRODUCT DIMENSIONS



Rugged Grade Lighting
Industrial Grade Solutions



LEGENDARY USA SUPPORT



US based
phone and online
customer support

DLC
CERTIFIED

5 YEARS
WARRANTY

UL
LISTED



888-953-2476
sales@ruggedgrade.com

PRODUCT TECHNICAL SPECIFICATIONS

OPTICAL	Input Power (Tolerance: ±10%)	15W	
	Color Temperature	3000K	4000K
	Lumen (Tolerance: -10%)	4000LM	
	Input Voltage	3.7 V	
	Battery	3.7V/14.8WH	
	Solar Panel	Monocrystalline silicon, 4.86V/ 1W	
	CRI	>80	
	Efficiency	266 LM/W	
	Installation Height	3 Meters	
	Control Mode	Button Switch, ON/OFF Long Press 1.5s	
	Lighting Mode	M1: 50LM + PIR (10S)	
M2: 0LM + PIR (10S)			
M3: 50LM Till dawn			
Mode Indication	M1: Flash for one time, M2: Flash for two times, M3: Flash for three times		
ELECTRICAL	PIR	120°, 5m.Max	
	Core technology	ALS 2.1 / TCS 1.0	
	Dimming	None	
	Optional Accessory	None	
	LED Brand	OSRAM 2835	
	LED Type	SMD 3030	
	LED QTY	39	
	Housing	ABS + Panlite PC	
	Housing Color	Black	
MATERIALS	Waterproof Rating	Wet(IP65)	
	Operating Temperature	-25°C TO 50°C	
	Storage Temperature	-20°C TO 45°C	
	Operating Humidity	20% - 90% RH	
	Storage Humidity	10% - 95% RH	
	Warranty	3 years warranty with 24/7 operating hours Luminaire lifetime at 25°C.	
	Charge Time	10hours(with enough strong shine)	
OTHERS			

PRODUCT ACCESORIES



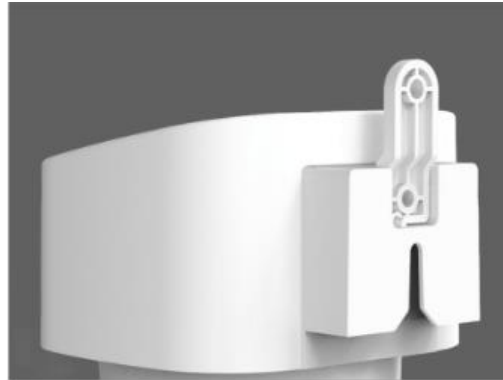
PRODUCT IMAGES



PRODUCT IMAGES & FEATURES



Monocrystalline silicon
Solar Charging Efficiency: >21%



Easy to install



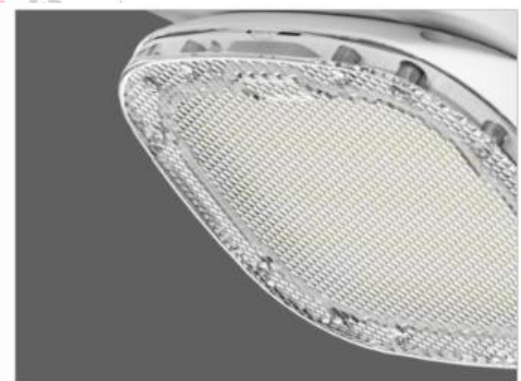
High sensitivity PIR sensor
Switches



Vertical sliding



Back details



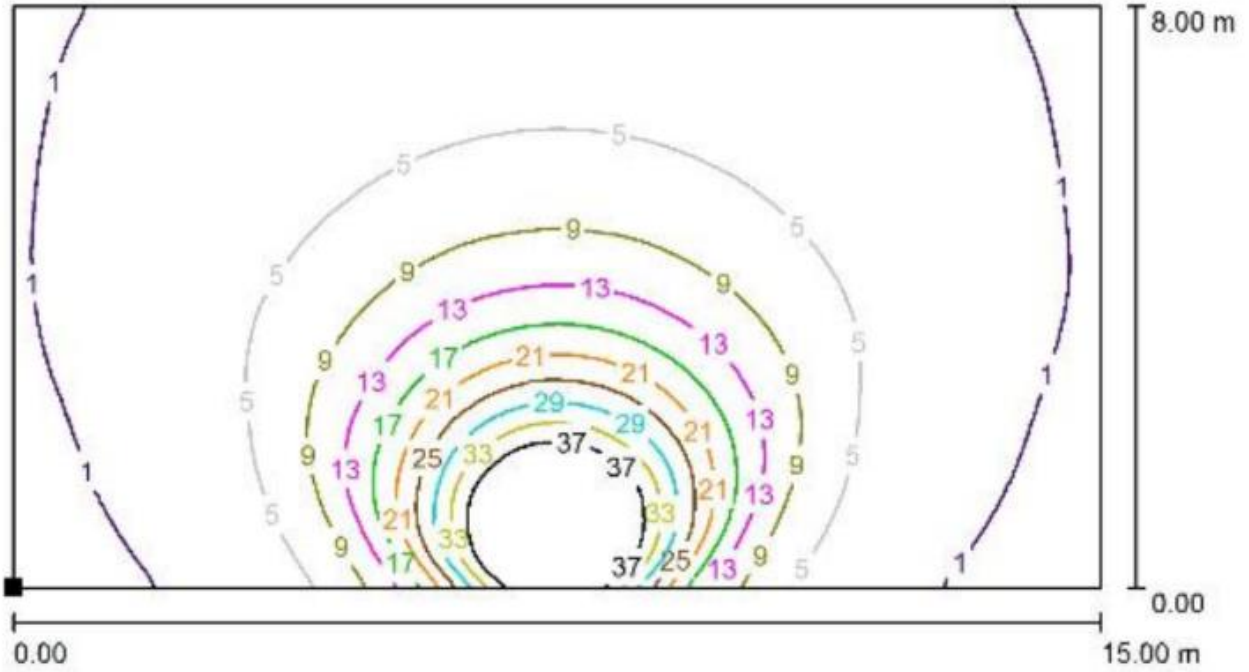
High lumen LEDs 160lm/W

Dual CCT

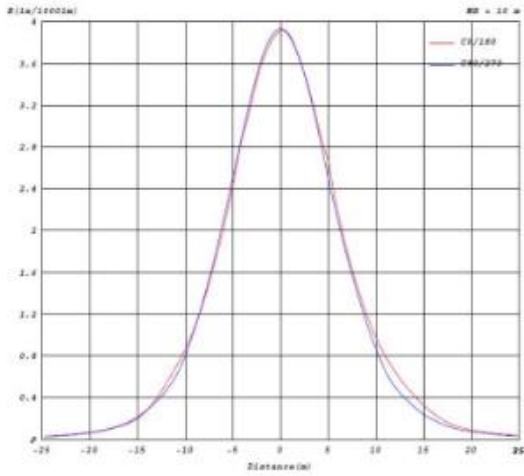


PHOTOMETRICS

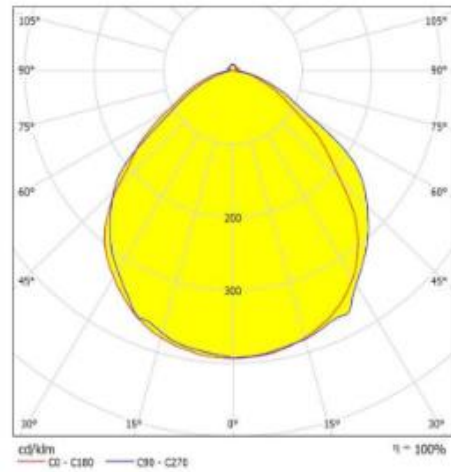
Road Simulated Diagram



Illumination Curve



Luminance Distribution



PACKAGING

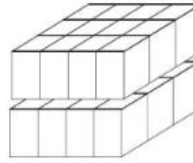
PRODUCT LIST
 SCREW: 3 PCS
 EXPANSION SCREWS: 2 PCS
 ACCESSORIES: 1 PC
 PIN: 1 PC



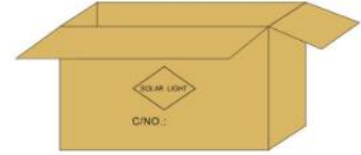
INNER COLOR BOX
 SIZE: 113x125x140mm
 1 PCS / 1 BOX



2 LAYERS
 1 LAYER = 12 BOXES



MASTER CARTON
 SIZE: 467x387x298mm
 24 PCS / CTN



CARTON

LAYER NUMBER

COLOR BOX

PRODUCT LIST

STEP 1

STEP 2

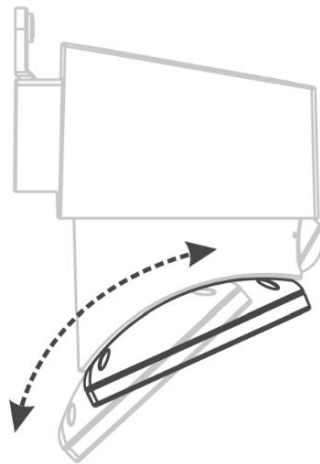
STEP 3

STEP 4

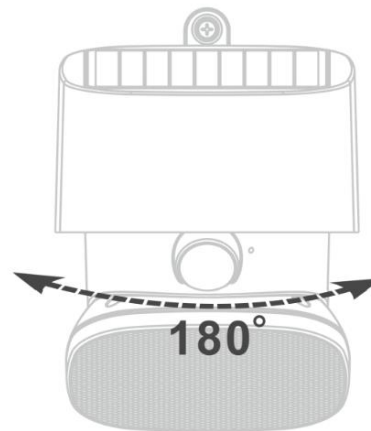
PACKING METHOD	PCS/CTN	QTY(PCS)	CTN QTY	CARTON SIZE(MM)	N.W.(KG)	G.W.(KG)
INNER BOX	1	1	1	113*125*140	0.5	0.55
CARTON	24	24	1	467*387*298	12	12.5

Fixture Head 4 Directions Adjustable
 (up/down/Right/Left)
 for Larger Lighting Area

ht are for reference only



Vertical Sliding



Moving Horizontally



PRODUCT WARNINGS

- ⚡ Please turn off power before install or change assembly parts.
- ⚡ The input voltage and lamps should be matched, after connecting the power line.
- ⚡ Please make sure the wiring section is insulated.
- ⚡ Professionals must install and disassemble the lamps.
- ⚡ Surge is the number 1 cause of LED light failure. Outdoor lights must have surge at fixture, pole, and breaker.
- ⚡ Surge is the number 1 cause of LED light failure. Indoor lights must have surge at fixture and breaker.

PRODUCT TROUBLESHOOTING

Issue	Check points
Light Flickers	Check all wiring for disconnections, shorts and burnt wiring and connections. Confirm steady input voltage to the light fixture, fluctuating input voltage will harm the LED driver and can lead to premature failure. Lights with photocells can have photocell tag from ambient light or light reflecting at the sensor. Simply cover the photocell completely and see if flickering continues while the photocell is covered. Call Tech Support for help if none of the above solves the issue.
Light does not work at all.	Check all wiring for disconnections, shorts and burnt wiring and connections. Confirm steady input voltage to the light fixture, fluctuating input voltage will harm the LED driver and can lead to premature failure. If input voltage is not in the voltage range of the fixture, you will need to find the source of your input voltage issue. Call Tech Support for help if none of the above solves the issue.

For more technical information, install questions, troubleshooting help or warranty claims, we have a dedicated US Tech and Customer Support Team to help solve any issues you have and can be reached by email or phone. If you need help with any of our products, we are here for you so that you are never in the dark!



**BETTER LIGHTS.
BETTER SUPPORT.**



CERTIFIED



LISTED





US based
phone and online
customer support



ROCK SOLID
5 YEARS
WARRANTY