



**RuggedGrade**

# ZEVARIS 150W LED TEMPORARY WORK LIGHT



## Global HID Retrofit Innovation Manufacturer

It is the ideal product for replacing the traditional incandescent bulb of senior Crystalline light. It is super energy saving, with more than 80% deduction of power consumption than using of traditional incandescent bulb. It has only a small heat emitting, with high safety guarantee. Not only is it safe to touch, but it is safe for your eyes as it has no flicker while it protect your eyes while using it for a long period. With it's unique design of a 360 degrees lighting, it enables shinning all around, appearing the same sparkle effect as common incandescent lamp.



## APPLICATIONS AREAS

High Pressure Sodium, Metal Halide lamp, Pulse Start Metal Halide, and Compact Fluorescent (HID, HPS, MHL, HQL)

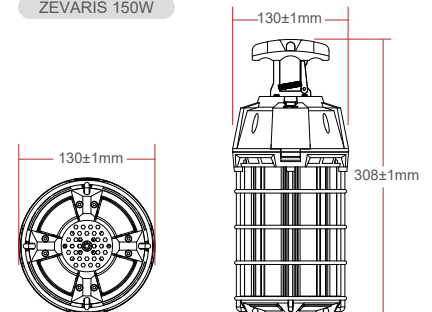


## Product parameters

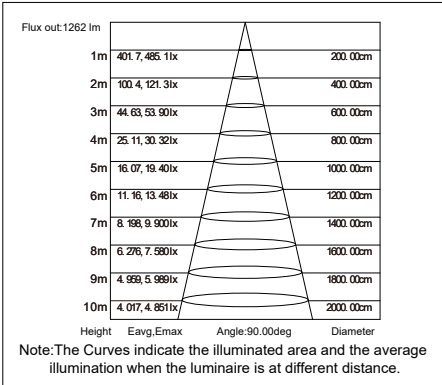
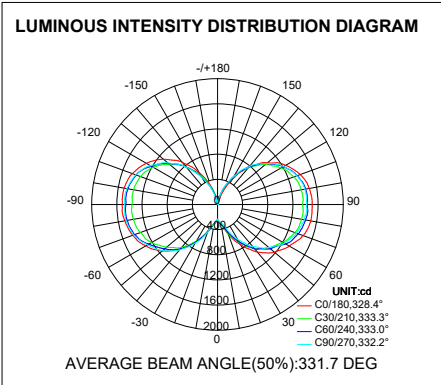
### SPECIFICATIONS

Model No.	ZEVARIS 150W
Power	150W±10%
LED	2835
PF	≥0.9
CCT	3000-6000K
CRI	≥80
Lumen	18000lm±10%
Voltage	100-277VAC 50-60Hz
Size mm x 0.0393=inch	Φ 130 *308
Operation tep (°C/°F)	minus -15~45°C minus 5~113°F
Certificate	LM80 CUL UL LM79

ZEVARIS 150W

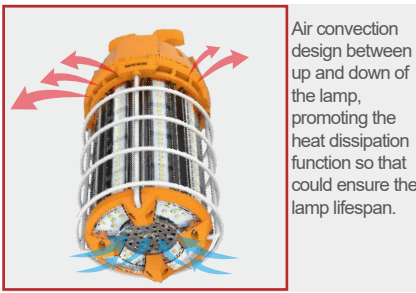
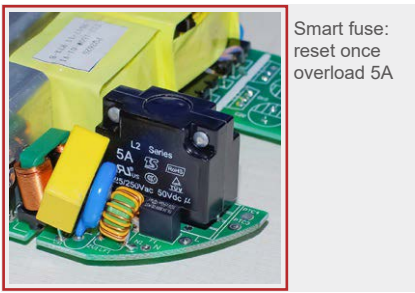
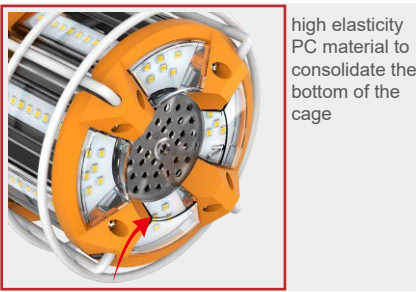
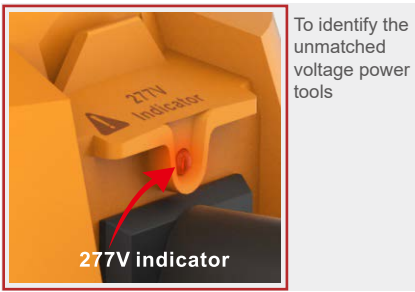
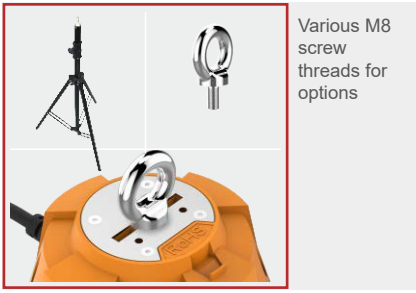
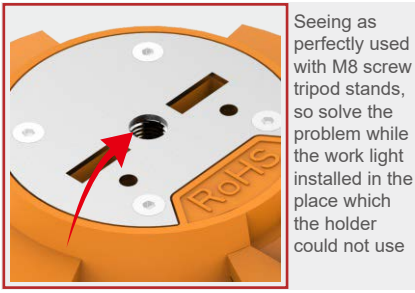


# Luminaire photometric test report

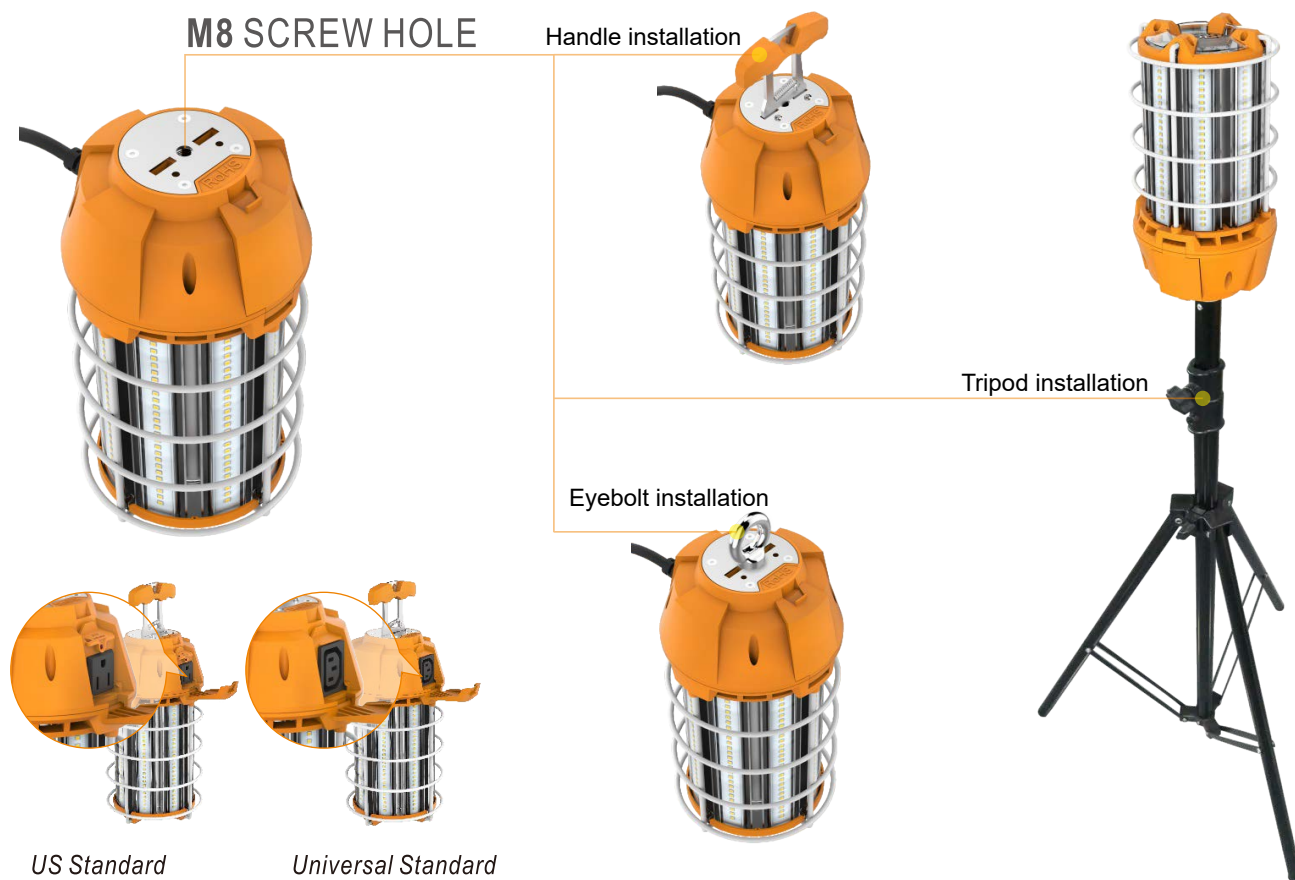


ZEVARIS 150W	
SPEC.	5000K
LAMP FLUX	13705.3x1 lm
RATED VOLTAGE(V)	100V-277V
TEST VOLTAGE(V)	230V
PF	0.9304
Test Distance	8.310m [K=1.0000]

## Product features



## Optional mounting

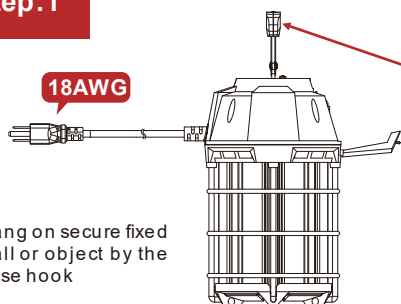


## Installation method

### Step:1

18AWG

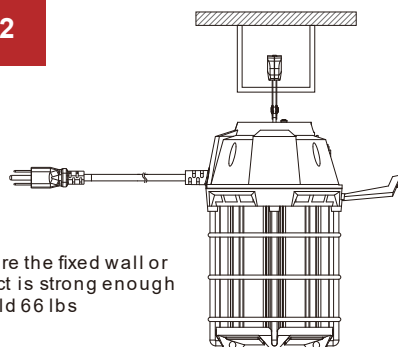
Hang on secure fixed wall or object by the base hook



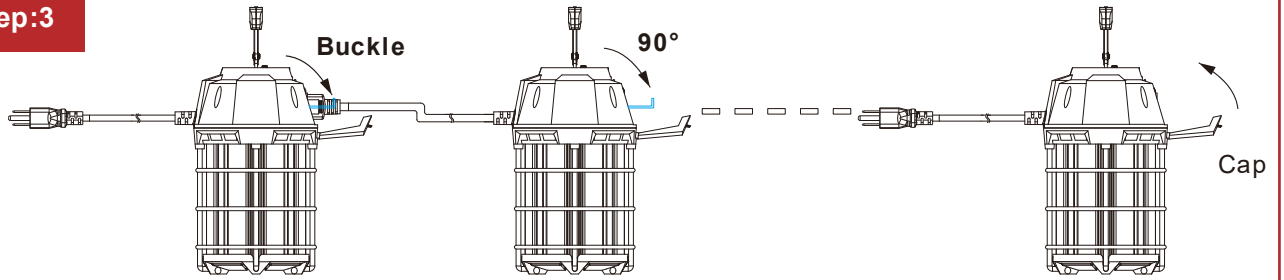
Hand-held

### Step:2

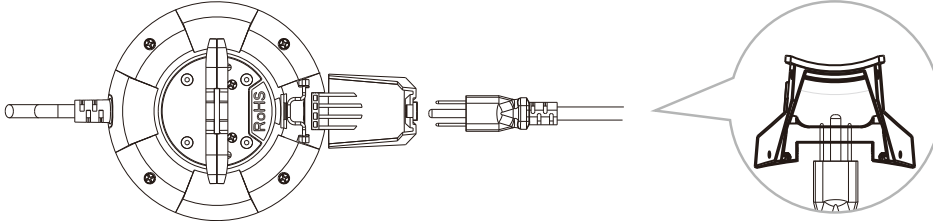
Ensure the fixed wall or object is strong enough to hold 66 lbs



### Step:3



Connect the plug and socket to make sure 2 or more lamps be jointed together, and rotate the buckle 90° to make sure the lamps connected more firm.

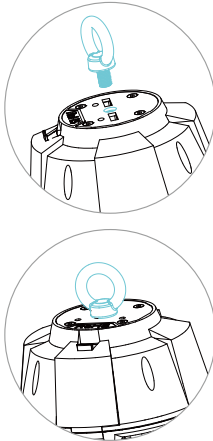


### NOTICE

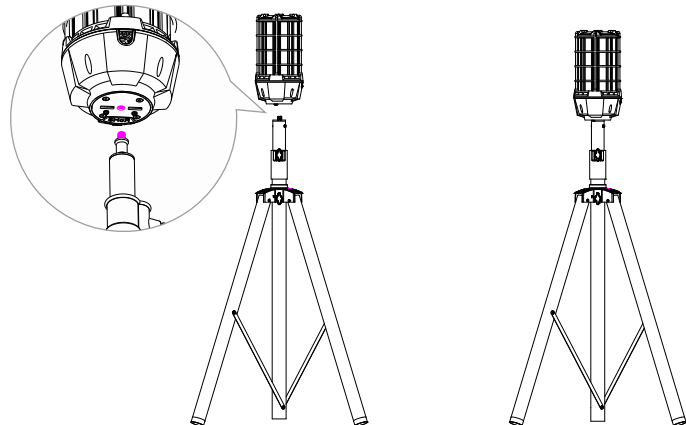
Total 5A max in parallel connection

### Step:4

#### Eyebolt installation



#### Tripod installation

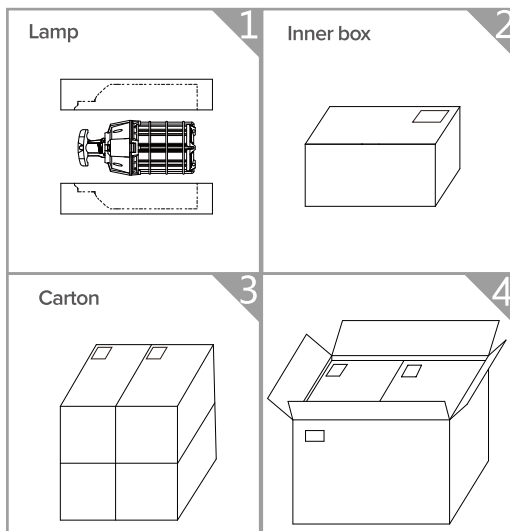


## Applications

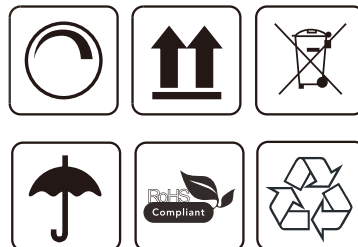


## Packing

Wattes	Inner box size(mm) (x0.0393=inch)	NW per lamp(kg) (lbs=kgx2.2)	GW per box(kg) (lbs=kgx2.2)	GW per Carton(kg) (lbs=kgx2.2)	Carton size(mm) (x0.0393=inch)	Quantity per carton
150W	348*200*173mm	1.94kg	2.70kg	11.0kg	363**415*361mm	4pcs



Pack Quantity:  
**4pcs**



### ⚠ CAUTIONS

- Risk of electric shock. Do not use where directly exposed to water.
- Do not power the 120VAC electric tools on this lamp.
- The temporary lighting are non-dimmable.
- Don't take apart the lamps without our permit.
- Please read the instruction manual carefully before installation.