

PRODUCT DESCRIPTION

Live up your parties with our new UV series Blacklight. Just plug it in and your ready to go no wiring hassle with our premium 10ft power cable.

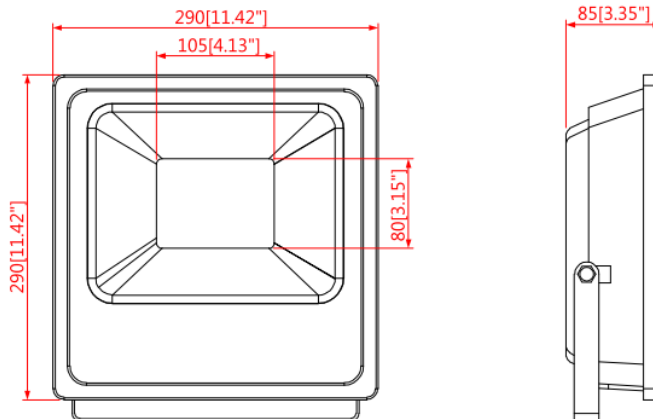


Part #: RGL-UV-FL-150WBH8DA1

PRODUCT FEATURES & COMMON USE APPLICATIONS

- UL cUL
- Bridgelux Chip, high CRI
- IP65 driver, input voltage 120-277VAC.
- Color Adjustable.
- No UV or IR in the beam.
- Easy to install and operate.
- Energy saving, long lifespan.
- Light is soft and uniform, safe to eyes.
- Instant start, NO flickering, NO humming.
- Green and eco-friendly without mercury.
- Outdoor basketball court, tennis court.
- Badminton court, the football field.
- The school playground, stadium.
- Community leisure entertainment plaza,
- Warehouse, factory and workshops ;
- Highway toll station ;
- Meeting room, exhibition hall ;
- Gymnasium and supermarkets, etc.

PRODUCT DIMENSIONS



150W

LEGENDARY USA SUPPORT



US based phone and online customer support

DLC CERTIFIED

5 YEARS WARRANTY




UL LISTED



PRODUCT TECHNICAL SPECIFICATIONS

OPTICAL	Input Power (Tolerance : ±10%)	150W
	Color Temperature (Color Tunable)	410nm
	Lumen(Tolerance: ±10%)	10650LM
	Efficacy(Tolerance : ±3%)	71LM/W
	CRI	>80
	Chip/Size	1734x2
	Field Angle (10%) (Tolerance : ±15%)	120 Degree
	Input Voltage and Frequency	120V, 50/60Hz
ELECTRICAL	PF (Tolerance : -3%)	≥0.9
	THD (Tolerance : +5%)	≤20%
	Flicker Percent	<30%
	Driver Brand	Rugged Grade
	Driver Model	Rugged Grade
	Driver Surge protection	L/N-PE: 2.5kV, L-N: 2.5kV
	Dimming	None
	Sensor Type	No Sensor
	Optional Accessory	Surge-protective Device
	LED Brand	Lumileds
	LED Type	SMD3030
MATERIALS	LED QTY	96 PCS
	Housing	Die-cast aluminum
	Housing Color	Black,
	Waterproof Rating	WET (IP66)
	Operating Temperature	-20°C TO 50°C;
	Storage Temperature	-40°C TO 80°C
	Operating Humidity	20% - 90% RH
OTHERS	Storage Humidity	20% - 95% RH
	Warranty	3 years
	Cable Length	10ft

PRODUCT ACCESSORIES

Fluorescent tape x6	Power line x1 (10ft)	Instruction x1
		





PRODUCT IMAGES & ACTUAL INSTALLATIONS

Product installation instructions:

- (1) Drill holes in the location you want to install with reference to the mounting wall.
- (2) Screw the mounting wall arm to the upper hole position.
- (3) Adjust the screw of the mounting arm according to the Angle you need, make it rotate to the Angle you need, tighten the screw.
- (4) Plug the product's plug wire into the prepared plug bar, confirm OK, and turn on the switch.
- (5) You can use fluorescent tape to paste the luminescent surface of the lamp to make the product emit different atmospheric brightness.



Attention:

- (1) Please take it easy, don't stress, don't hit.
- (2) When installing lamps, the wiring should be insulated to prevent leakage of electricity.
- (3) Can not be used in flammable, explosive, high temperature and corrosive places.
- (4) Please repair or replaced by professional electrician avoid any failure caused.



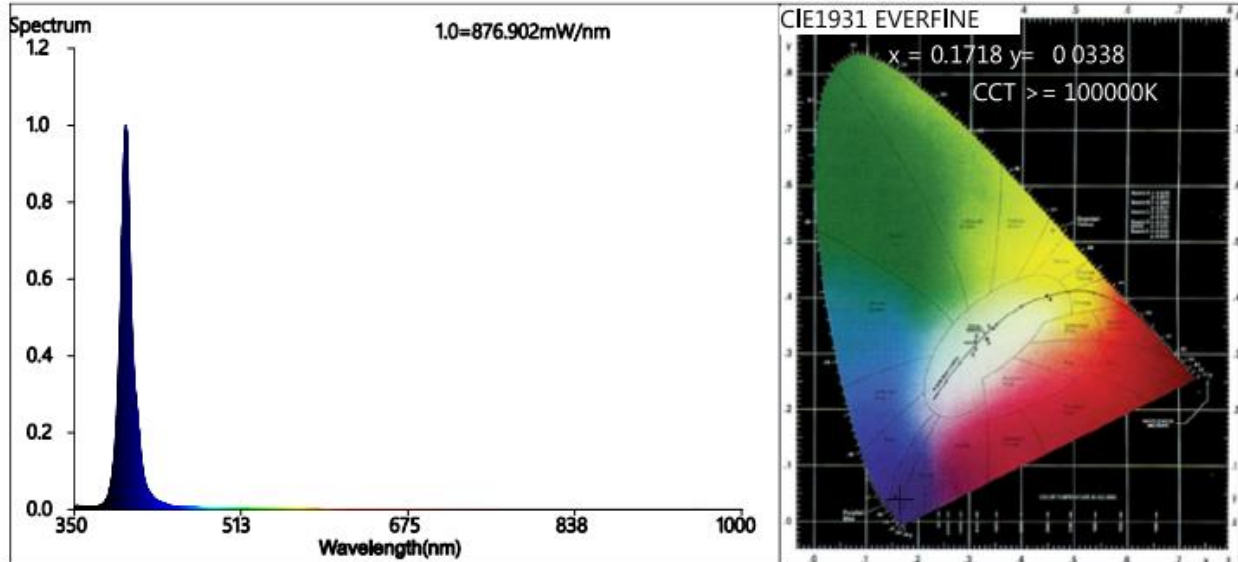
IP66 Waterproof

Enjoy your party in any wether conditions!



PHOTOMETRICS

150W Spectrum Test Report



Color Parameters:

Chromaticity Coordinate: $x=0.1718$ $y=0.0338$ $u'=0.2244$ $v'=0.0994$

CCT=100000K(Duv=-0.2044) Dominant WL:Ld =445.1nm WL:Lc = --nm Purity=93.7%

Ratio:R=5.4% G=57.6% B=37.0% Peak WL:Lp=400.4nm FWHM=10.9nm

Render Index:Ra=13.7 AvgR=18.2 TM30:Rf=0 Rg=-59

Eff(PPF)=0.36920

R1 =44	R2 =25	R3 =0	R4 =0	R5 =41	R6 =0	R7 =0	
R8 =0	R9 =0	R10=0	R11=0	R12=0	R13=74	R14=7	R15=81

Photo Parameters:

Flux = 66.63 lm Eff. : 0.94 lm/W Fe = 13.28 W

Photosynthetic:PPF:26.304umol/s PAR WATT:7658mW(400-700nm)

Electrical parameters:

V = 120.03 V I = 0.6289 A P = 71.25 W PF = 0.9439

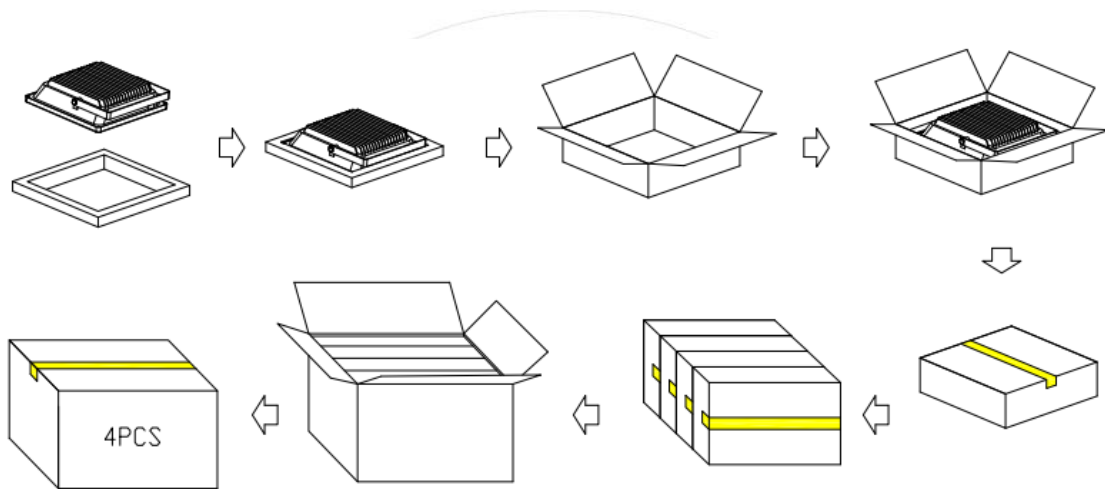
LEVEL:OUT WHITE:OUT



PRODUCT PACKAGING

	Qty/ctn	Material	N.W	Box Size	G.W
150W	1	K=K	3.15Kg	315X115X350mm	3.5Kg
	4	K=K	13.5Kg	495X335X370mm	15.0Kg

*Tolerance of Carton Size: ± 15 MM, Tolerance of Weight: $\pm 10\%$.



Ceiling Installation



Wall Installation



Ground Installation



Pole Installation



PRODUCT WARNINGS

- ⚡ Please turn off power before install or change assembly parts.
- ⚡ The input voltage and lamps should be matched, after connecting the power line.
- ⚡ Please make sure the wiring section is insulated.
- ⚡ Professionals must install and disassemble the lamps.
- ⚡ Surge is the number 1 cause of LED light failure. Outdoor lights must have surge at fixture, pole, and breaker.
- ⚡ Surge is the number 1 cause of LED light failure. Indoor lights must have surge at fixture and breaker.

PRODUCT TROUBLESHOOTING

Issue	Check points
Light Flickers	Check all wiring for disconnections, shorts and burnt wiring and connections. Confirm steady input voltage to the light fixture, fluctuating input voltage will harm the LED driver and can lead to premature failure. Lights with photocells can have photocell tag from ambient light or light reflecting at the sensor. Simply cover the photocell completely and see if flickering continues while the photocell is covered. Call Tech Support for help if none of the above solves the issue.
Light does not work at all.	Check all wiring for disconnections, shorts and burnt wiring and connections. Confirm steady input voltage to the light fixture, fluctuating input voltage will harm the LED driver and can lead to premature failure. If input voltage is not in the voltage range of the fixture, you will need to find the source of your input voltage issue. Call Tech Support for help if none of the above solves the issue.

For more technical information, install questions, troubleshooting help or warranty claims, we have a dedicated US Tech and Customer Support Team to help solve any issues you have and can be reached by email or phone. If you need help with any of our products, we are here for you so that you are never in the dark!

**BETTER LIGHTS.
BETTER SUPPORT.**

