

PRODUCT DESCRIPTION

This 150-watt LED street light is a powerhouse of efficiency and brightness, delivering 20,000 lumens with a crisp 5000K daylight color. Designed with a photocell for automatic dusk-to-dawn operation, it's perfect for streets, parking lots, and walkways. The slip-fit mount ensures easy installation, while the durable gray housing and IP65 waterproof rating make it reliable in all weather conditions.

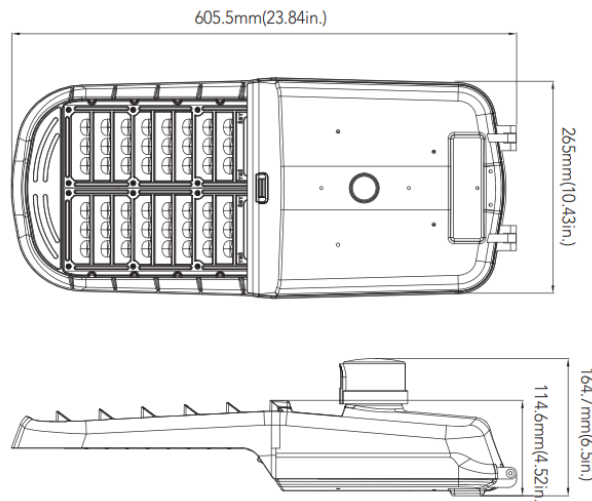


PART #: RGL-SL-150W

PRODUCT FEATURES & COMMON USE APPLICATIONS

- UL cUL Premium certificate.
- IP65 driver, input voltage 120-277VAC.
- No UV or IR in the beam.
- Easy to install and operate.
- Energy saving, long lifespan.
- Light is soft and uniform, safe to eyes.
- Instant start, NO flickering, NO humming.
- Green and eco-friendly without mercury.
- Outdoor basketball court, tennis court.
- Badminton court, the football field.
- The school playground, stadium.
- Community leisure entertainment plaza,
- Warehouse, factory and workshops ;
- Highway toll station ;
- Meeting room, exhibition hall ;
- Gymnasium and supermarkets, etc.

PRODUCT DIMENSIONS



LEGENDARY USA SUPPORT

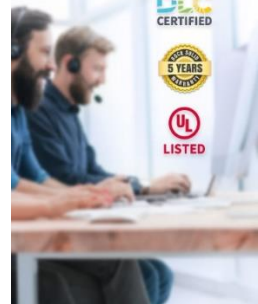


US based
phone and online
customer support

DLC
CERTIFIED

5 YEARS
WARRANTY

UL
LISTED



PRODUCT TECHNICAL SPECIFICATIONS

| | | |
|-------------------|---------------------------------------|------------------------|
| OPTICAL | Input Power (Tolerance : $\pm 10\%$) | 150 Watt |
| | Color Temperature (Color Tunable) | 5000K |
| | Lumen(Tolerance: $\pm 10\%$) | 20000 LM |
| | Efficacy(Tolerance : $\pm 3\%$) | 133 LM/W |
| | CRI | >70 |
| | Distribution Pattern | TYPE III |
| | Input Voltage and Frequency | 120-277VAC, 50/60Hz |
| | PF (Tolerance : -3%) | ≥ 0.9 |
| | THD (Tolerance : +5%) | $\leq 20\%$ |
| ELECTRICAL | Flicker Percent | <35% |
| | Driver Brand | RuggedGrade X Driver |
| | Driver Model | RGX-HB-HLA120-46 |
| | Driver Surge protection | L/N-PE: 2kV, L-N: 2kV |
| | Dimming | 0-10V dimming standard |
| | Sensor Type | Exterior Photocell |
| | Optional Accessory | Photocell / Mount Arm |
| | LED Brand | Lumileds |
| | LED Type | SMD2835 |
| | LED QTY | 216*2PCS |
| MATERIALS | Housing | Die-cast aluminum |
| | Housing Color | Silver, |
| | EPA | .45 ft ² |
| | Waterproof Rating | WET (IP65) |
| | Operating Temperature | -40°C TO 50°C |
| | Storage Temperature | -40°C TO 80°C |
| | Operating Humidity | 20% - 90% RH |
| OTHERS | Storage Humidity | 10% - 95% RH |
| | Warranty | 5 years |

PRODUCT MOUNTS & ACCESSORIES



PRODUCT INSTALLATION

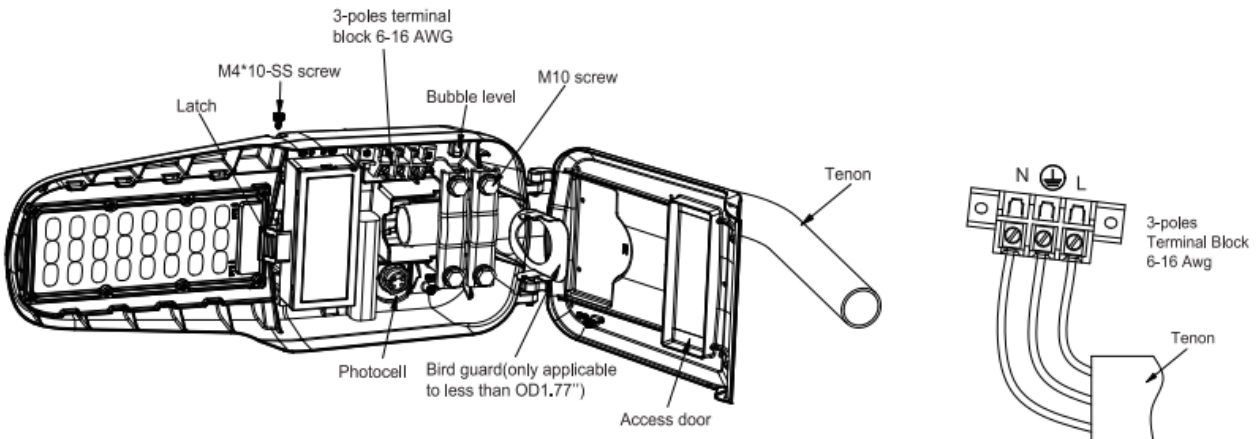
WARNING

PLEASE READ ALL INSTRUCTIONS BEFORE ATTEMPTING INSTALLATION

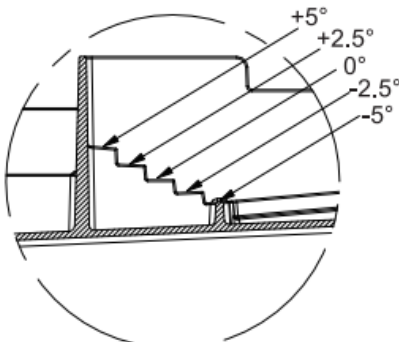
- To prevent personal injury or product damage only licensed electricians should install.
- To avoid electric shock or component damage disconnect power before attempting installation or servicing.
- This product must be installed in accordance with the national electric code (NEC) and all applicable federal, state and local electric codes and safety standards.
- Disconnect product and allow cooling prior to servicing.
- Any alteration or modification of this product is expressly forbidden as it may cause serious personal injury, death, property damage and/or product malfunction.
- To prevent product malfunction and/or electrical shock this product must be properly grounded.
- This luminaire is designed to operate in ambient temperatures ranging from -40°C to 40°C and to be horizontally mounted with the LEDs facing down.
- This product must be installed in accordance with the applicable installation code by a Person familiar with the construction and operation of the product and the hazards involved.
- MIN 75°C SUPPLY CONDUCTORS
- CONSULT A QUALIFIED ELECTRICIAN TO ENSURE CORRECT BRANCH CIRCUIT CONDUCTOR
- CAUTION - RISK OF FIRE
- This product is not available for several special environments, such as places with corrosive gas liquids or high pressure water vapor.

Installation Guide

1. Loosen the side screw(M4*10), push the latch to release the access door.
2. Loosen the M10 screws before sliding the fixture onto the tenon.
3. Slip the fixture onto the tenon, search for approximate penetration, adjust horizontal angle properly and tighten M10 screws.
4. Connect the service leads to the terminal block.
5. Turn latch to reinstall the access door and the fixture is ready to be energized, tighten the side screw(M4*10)



Horizontal angle can be adjusted in 2.5° steps, ±5°



Wire Connection

| | | |
|--------------------|---|---------|
| Black | ○ | Line |
| White | ○ | Neutral |
| Green/Yellow Green | ○ | Ground |
| Purple | ○ | |
| Pink | ○ | |

Note: Two dimming wire in the driver box



PHOTOMETRICS

PHOTOMETRICS

Type 2 optics creates an asymmetric distribution working well in walkway and roadway applications where more light is required "street side" than "house side".



Type 2

Type 3 optics produces an asymmetrical pattern that directs the majority of the light forward and equally on both sides of the luminaire. In a back-to-back configuration, it creates a rectangular pattern which can extend pole spacings.



Type 3



*Tolerance of Carton
of Weight: $\pm 10\%$.

Rugged Grade Lighting
Industrial Grade Solutions

Size: ± 15 MM, Tolerance

888-953-2476
sales@ruggedgrade.com



PRODUCT WARNINGS

- ⚡ Please turn off power before install or change assembly parts.
- ⚡ The input voltage and lamps should be matched, after connecting the power line.
- ⚡ Please make sure the wiring section is insulated.
- ⚡ Professionals must install and disassemble the lamps.
- ⚡ Surge is the number 1 cause of LED light failure. Outdoor lights must have surge at fixture, pole, and breaker.
- ⚡ Surge is the number 1 cause of LED light failure. Indoor lights must have surge at fixture and breaker.

PRODUCT TROUBLESHOOTING

| Issue | Check points |
|-----------------------------|--|
| Light Flickers | Check all wiring for disconnections, shorts and burnt wiring and connections. Confirm steady input voltage to the light fixture, fluctuating input voltage will harm the LED driver and can lead to premature failure. Lights with photocells can have photocell tag from ambient light or light reflecting at the sensor. Simply cover the photocell completely and see if flickering continues while the photocell is covered. Call Tech Support for help if none of the above solves the issue. |
| Light does not work at all. | Check all wiring for disconnections, shorts and burnt wiring and connections. Confirm steady input voltage to the light fixture, fluctuating input voltage will harm the LED driver and can lead to premature failure. If input voltage is not in the voltage range of the fixture, you will need to find the source of your input voltage issue. Call Tech Support for help if none of the above solves the issue. |

For more technical information, install questions, troubleshooting help or warranty claims, we have a dedicated US Tech and Customer Support Team to help solve any issues you have and can be reached by email or phone. If you need help with any of our products, we are here for you so that you are never in the dark!

**BETTER LIGHTS.
BETTER SUPPORT.**

