

12W | LED LANTERN STYLE WALL LIGHT



PRODUCT DESCRIPTION

The LED Lantern Style Wall Light offers versatile lighting for outdoor spaces. Its Tunable Technology™ lets you adjust color temperature to fit just the right occasion.

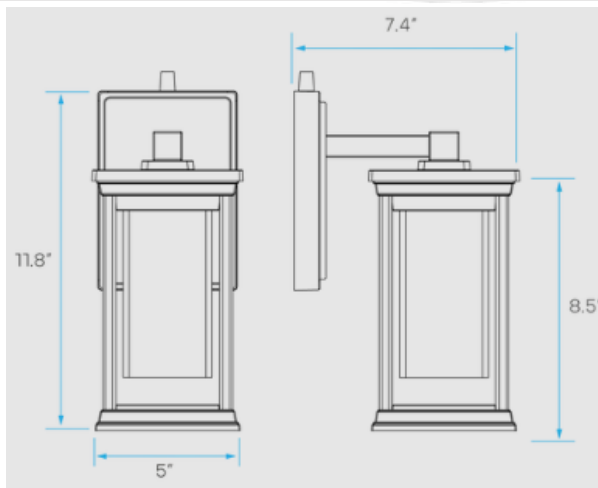


PART #: RG-LANTERN-12W-3CCT

PRODUCT FEATURES & COMMON USE APPLICATIONS

- ETL certificate.
- With PC, high CRI.
- Input voltage 120VAC .
- No UV or IR in the beam.
- Easy to install and operate.
- Energy saving, long lifespan.
- Light is soft and uniform, safe to eyes.
- Instant start, NO flickering, NO humming.
- Green and eco-friendly without mercury
- Entrance lighting, courtyard lighting;
- Industrial lighting, Outdoor landscape lighting;
- Building, The hotel;
- Wall lighting area and so on.

PRODUCT DIMENSIONS



LEGENDARY USA SUPPORT

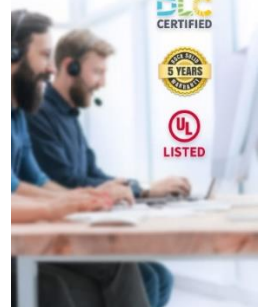


US based phone and online customer support

DLC CERTIFIED

5 YEARS WARRANTY

UL LISTED



Rugged Grade Lighting
Industrial Grade Solutions



888-953-2476
sales@ruggedgrade.com

PRODUCT SPECIFICATIONS

OPTICAL	Input Power (Tolerance : ±10%)	12-Watt
	Color Temperature(Color tunable)	3000K/4000K/5000K
	Lumen (Tolerance : -10%)	1200LM/W
	Efficacy (Tolerance : -3%)	50LM/W
	CRI	>80
	Color Consistency	<8 Steps (or <8 SDCM)
	Diffuser Type	PC
	Beam Angle (50%) (Tolerance : ±15%)	120
	Input Voltage and Frequency	120VAC 50/60Hz
ELECTRICAL	PF (Tolerance : -3%)	≥0.9
	THD (Tolerance : +5%)	≤20%
	Flicker Percent	<30%
	Driver Brand	RuggedGrade Lighting
	Driver Model	RuggedGrade Lighting Driver
	Warranty	5 years warranty

PRODUCT INSTALLATION

INSTRUCTIONS

STEP 1 - PREPARING FOR INSTALLATION.

- Disconnect electrical power at fuse or circuit breaker box before installing or servicing any part of this fixture.
 - Carefully remove the fixture from the carton and check that all parts are included.
 - Disassemble mounting bracket (1) from the fixture housing (3) by removing two waterproof rubbers(4) and two finials(5).
 - Disassemble fixture housing (6) from the fixture housing (3) by removing two waterproof rubbers(7) and two finials(8).
 - Take out the pear wool between fixture housing (6) and the fixture housing (3).
 - The CCT switch is located on the fixture housing (3). Adjust switch to desired color temperature of 3000K, 4000K, or 5000K.
 - Install fixture housing (6) to fixture housing (3) by aligning holes on the housings, then secure it with two finials (8).
 - Install mounting bracket (1) to the junction box (not included).
- Wiring—all wiring must take place inside junction box (not included).

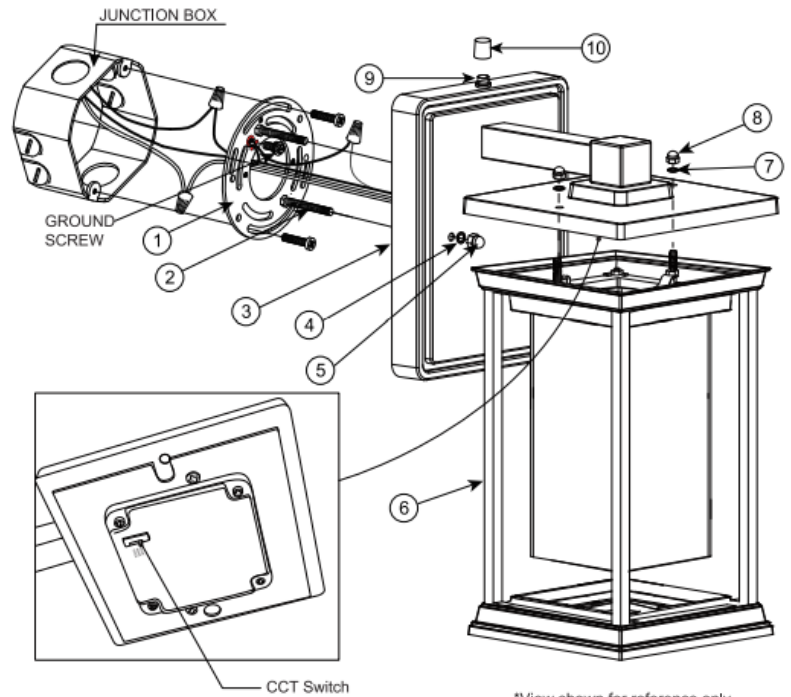
STEP 2 - WIRING FIXTURE

- Make all wire connections to appropriate wire. Secure with wire nuts (provided).
- Connect the green or bare wire from the fixture and the supply power source ground wire.
- Connect the black wire from the fixture to the black (L) wire from supply power source.
- Connect the white wire from the fixture to the white (N) wire from supply power source.
- Pull on each wire lead to make sure connections are secure. Make certain no bare wires are exposed outside of wire connectors. Tuck all connections neatly into the junction box.

STEP 3 - MOUNTING

- Install fixture housing (3) to mounting bracket (1) by aligning holes on the housing (3), then secure it with two finials (5).
- Apply a small amount of silicone (not included) per manufacturer's instruction around finials and around the fixture housing(3) where it contacts with the surface of the wall.

STEP 4 - RESTORE POWER AT FUSE OR CIRCUIT BREAKER BOX.



*View shown for reference only.
Individual models may vary.

NOTE: TO DISABLE PHOTOCELL, PLEASE COVER PHOTCEL WITH PROVIDED CAP.



PRODUCT WARNINGS

- ⚡ Please turn off power before install or change assembly parts.
- ⚡ The input voltage and lamps should be matched, after connecting the power line.
- ⚡ Please make sure the wiring section is insulated.
- ⚡ Professionals must install and disassemble the lamps.
- ⚡ Surge is the number 1 cause of LED light failure. Outdoor lights must have surge at fixture, pole, and breaker.
- ⚡ Surge is the number 1 cause of LED light failure. Indoor lights must have surge at fixture and breaker.

PRODUCT TROUBLESHOOTING

Issue	Check points
Light Flickers	Check all wiring for disconnections, shorts and burnt wiring and connections. Confirm steady input voltage to the light fixture, fluctuating input voltage will harm the LED driver and can lead to premature failure. Lights with photocells can have photocell tag from ambient light or light reflecting at the sensor. Simply cover the photocell completely and see if flickering continues while the photocell is covered. Call Tech Support for help if none of the above solves the issue.
Light does not work at all.	Check all wiring for disconnections, shorts and burnt wiring and connections. Confirm steady input voltage to the light fixture, fluctuating input voltage will harm the LED driver and can lead to premature failure. If input voltage is not in the voltage range of the fixture, you will need to find the source of your input voltage issue. Call Tech Support for help if none of the above solves the issue.

For more technical information, install questions, troubleshooting help or warranty claims, we have a dedicated US Tech and Customer Support Team to help solve any issues you have and can be reached by email or phone. If you need help with any of our products, we are here for you so that you are never in the dark!

**BETTER LIGHTS.
BETTER SUPPORT.**

