

# 120W LINEAR | LED EXPLOSION PROOF LIGHT



## PRODUCT DESCRIPTION

The New Hazard Linear Light is here with a slim new design but keeps all toughness of an explosion proof light. This New model comes with all necessary Class 1 division II certifications!

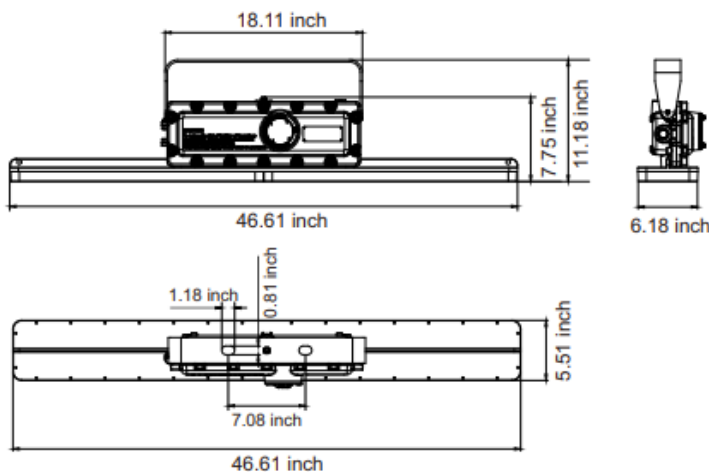


PART #: RGL-EX-LINEAR-120W

## PRODUCT FEATURES & CERTIFICATIONS

- UL cUL and DLC certificate.
- Input voltage 277-480VAC.
- No UV or IR in the beam.
- Easy to install and operate.
- Energy saving, long lifespan.
- Light is soft and uniform, safe to eyes.
- Instant start, NO flickering, NO humming.
- Green and eco-friendly without mercury.
- CID2 Groups A,B,C,D.T4/T4A
- DLC 5.1 PREMIUM
- UL 844.
- UL 1598.
- UL 8750.
- CSA C22.2 No.137.0.
- CSA C22.2 No.250.0.
- CSA C22.2 No.250.13.

## PRODUCT DIMENSIONS



Rugged Grade Lighting  
Industrial Grade Solutions



## LEGENDARY USA SUPPORT



US based  
phone and online  
customer support



888-953-2476  
sales@ruggedgrade.com



## PRODUCT TECHNICAL SPECIFICATIONS

<b>OPTICAL</b>	Input Power (Tolerance : ±10%)	120W
	Color Temperature	5000K
	Cover	Clear Lens
	Lumen (Tolerance : -10%)	16800LM
	Efficacy (Tolerance : -3%)	140 LM/W
	Beam Angle (50%) (Tolerance :	120°
	Color Consistency	< 6 Steps (or < 6 SDCM)
	UGR (Glare Rating)	< 28 (X=4H, Y=8H; S/H=1; Reflectances: 70%/50%/20%)
	Diffuser Type	PC Lens
CRI	>70	
<b>ELECTRICAL</b>	Input Voltage and Frequency	277-480VAC, 50/60Hz
	PF (Tolerance : -3%)	≥0.9
	THD (Tolerance : +5%)	≤20%
	Flicker Percent	< 5%
	Driver Brand	Sosen
	Driver Model	SS-150VP-56BH
	Driver Surge protection	L/N-PE: 10kV, L-N: 6kV
	LED Brand	Lumileds
	LED Type	SMD3030
<b>MATERIALS</b>	LED QTY	320PCS
	Housing	Die-cast aluminum
	Cable Entries	Top: 3/4 NPT(standard), 1/2 NPT Two sides: 3/4 NPT(standard), 1/2
	Housing Color	Gray
	Waterproof Rating	WET (IP67)
	Operating Temperature	-40°C TO 40°C
	Storage Temperature	-40°C TO 90°C
	Operating Humidity	10% - 90% RH
<b>OTHERS</b>	Storage Humidity	5% - 95% RH
	Warranty	5 years warranty with 24/7 operating hours Luminaire lifetime at

## PRODUCT MOUNTS & ACCESSORIES



**Bracket**



**Metal Conduit  
EX-NG**





### PRODUCT IMAGES & ACTUAL INSTALLATIONS

1. Suitable for gas station, petroleum and chemical industries, coal mine, military, airport, warehouse, marine etc.
2. Zone1 & Zone2 gaseous environment, and Zone21 & Zone22 dust environment.
3. Class I Division 2 Group A, B, C, D



**Chemical Factory**



**Offshore Oil Mining**



**Military Ship**



**Army Base**



**Gas Station**



**Petrol Process Factory**

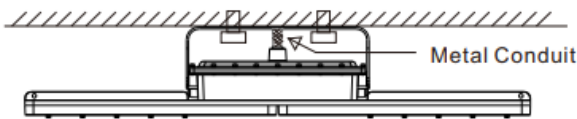


**Traning Camp**



**Navy Port**

#### • Option 1: Ceiling Mounting



Metal Conduit

#### • Accessories

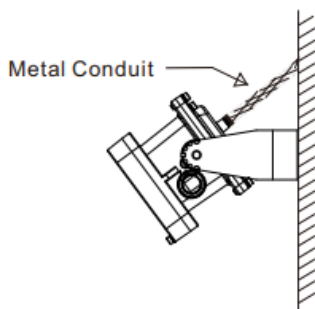


**Bracket**



**Metal Conduit  
EX-NG**

#### • Option 2: Wall Mounting



Metal Conduit

#### • Accessories



**Bracket**

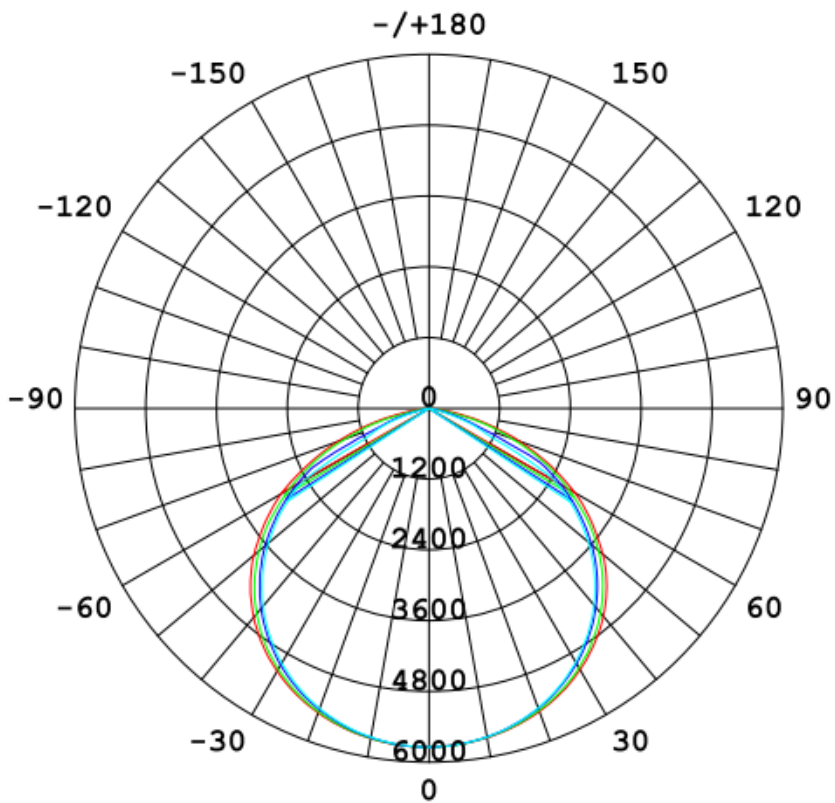


**Metal Conduit  
EX-NG**



## PHOTOMETRICS

### 120 Degree



AVERAGE BEAM ANGLE(50%):116.4 DEG

UNIT:cd

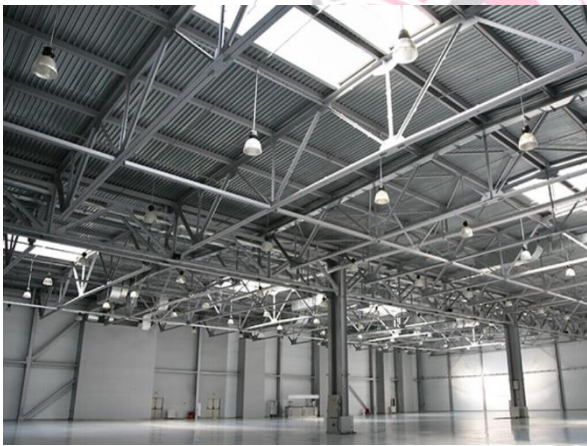
- C0/180,120.1
- C30/210,117.4
- C60/240,114.9
- C90/270,113.2



## PRODUCT PACKAGING

Lamps Net Weight	Outer box		
	size	Qty/ Carton	Weight/Carton
40.79 lb	53.94x14.17x11.42inch	1PC	47.40 lb

b\*Tolerance of Carton Size:  $\pm 15$  MM, Tolerance of Weight:  $\pm 10\%$ .



## PRODUCT WARNINGS

- ⚠ Please turn off power before install or change assembly parts.
- ⚠ The input voltage and lamps should be matched, after connecting the power line.
- ⚠ Please make sure the wiring section is insulated.
- ⚠ Professionals must install and disassemble the lamps.
- ⚠ Surge is the number 1 cause of LED light failure. Outdoor lights must have surge at fixture, pole, and breaker.
- ⚠ Surge is the number 1 cause of LED light failure. Indoor lights must have surge at fixture and breaker.

## PRODUCT TROUBLESHOOTING

Issue	Check points
Light Flickers	Check all wiring for disconnections, shorts and burnt wiring and connections. Confirm steady input voltage to the light fixture, fluctuating input voltage will harm the LED driver and can lead to premature failure. Lights with photocells can have photocell tag from ambient light or light reflecting at the sensor. Simply cover the photocell completely and see if flickering continues while the photocell is covered. Call Tech Support for help if none of the above solves the issue.
Light does not work at all.	Check all wiring for disconnections, shorts and burnt wiring and connections. Confirm steady input voltage to the light fixture, fluctuating input voltage will harm the LED driver and can lead to premature failure. If input voltage is not in the voltage range of the fixture, you will need to find the source of your input voltage issue. Call Tech Support for help if none of the above solves the issue.

For more technical information, install questions, troubleshooting help or warranty claims, we have a dedicated US Tech and Customer Support Team to help solve any issues you have and can be reached by email or phone. If you need help with any of our products, we are here for you so that you are never in the dark!

# BETTER LIGHTS. BETTER SUPPORT.

