

PRODUCT DESCRIPTION

MUROS II WALLPACK UNITES REFINED DESIGN WITH ROBUST PERFORMANCE, BRINGING ARCHITECTURAL APPEAL AND DEPENDABLE ILLUMINATION TO BUILDING FAÇADES, ENTRANCES, AND PATHWAYS. ENGINEERED WITH 3 CCT AND 3 WATTAGE SELECTABILITY, DUSK-TO-DAWN CONTROL, AND UL LISTED ASSURANCE, IT DELIVERS TAILORED LIGHTING WITH LASTING RELIABILITY. WET-LOCATION RATED AND TESTED TO WITHSTAND ELEVATED AMBIENT SALT-FOG CONDITIONS; IT IS BUILT FOR RESILIENCE IN DEMANDING ENVIRONMENTS. BACKED BY A 5-YEAR WARRANTY AND DELIVERING UP TO 75% ENERGY SAVINGS COMPARED TO 75W MH/HID, MUROS II IS WHERE SOPHISTICATION MEETS EFFICIENCY.

3 CCT
SELECTABLE

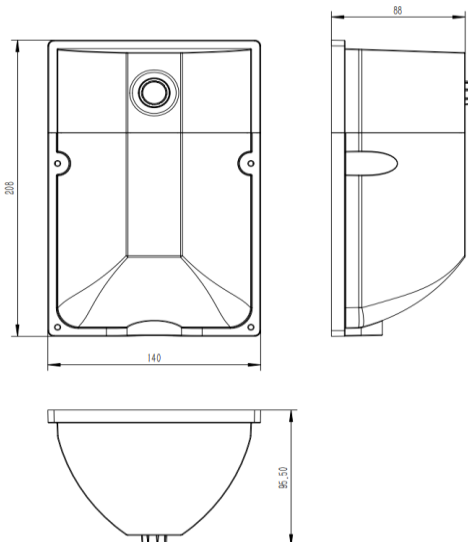
3 WATT
SELECTABLE



PRODUCT FEATURES & COMMON USE APPLICATIONS

- cUL US listed
- Lumileds 2835, high CRI.
- Input voltage 110-277VAC.
- Output constant current lever can be adjusted through output cable with 1-10V.
- No UV or IR in the beam.
- Wattage adjustable
- CCT adjustable
- Easy to install and operate.
- Energy saving, long lifespan.
- Light is soft and uniform, safe to eyes.
- Instant start, NO flickering, NO humming
- Entrance lighting
- Courtyard lighting
- Industrial lighting
- Outdoor landscape lighting
- Buildings mounted doorway
- Hotels
- Pathways
- Wall lighting area and so on.

PRODUCT DIMENSIONS



Rugged Grade Lighting
Industrial Grade Solutions



LEGENDARY USA SUPPORT

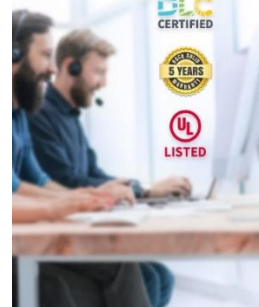


US based
phone and online
customer support

DLC
CERTIFIED

5 YEARS
WARRANTY

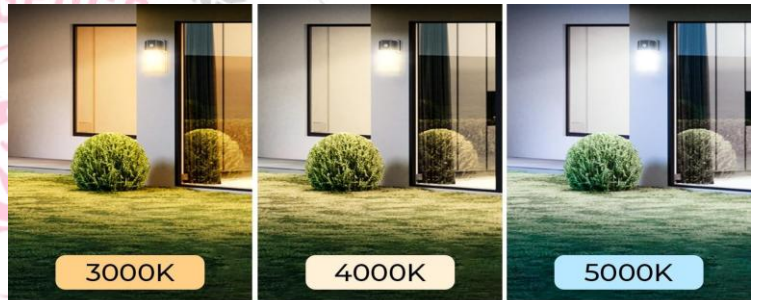
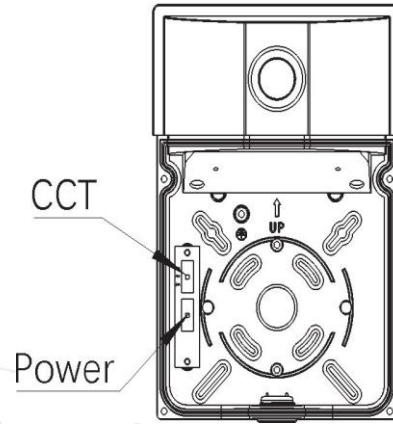
UL
LISTED



888-953-2476
sales@ruggedgrade.com

PRODUCT TECHNICAL SPECIFICATIONS

3 Wattage	13W/18W/ 26W
VOLTAGE	110-277VAC
POWER FREQUENCY	50/60Hz
POWER FACTOR	>0.9
3CCT	3000K/4000K/5000K
CRI	70
DIMMING	1-10V dimming
RATING	Suitable for wet Location
FINISH	White/Black/Brown/Gray
WORKING TEMP.	-20°- 40°
LIFESPAN	≥50000 hours
WARRANTY	5 Years
Total Harmonic Distortion: < 25% at full load	



CUSTOMIZE YOUR OUTDOOR LIGHTS



DUSK TO DAWN SENSOR

Automatically turns ON at sundown/night and OFF at sunrise/daytime

 50000 hours



LEDS	LED	RATED	3000K,70CRI		4000K,70CRI		5000K,70CRI	
	CURRE	WATTS	LUMENS	LPW	LUMENS	LPW	LUMENS	LPW
42*2	0.06	13W	1560	120	1560	120	1560	120
	0.08	18W	2160	120	2160	120	2160	120
	0.10	26W	3120	120	3120	120	3120	120



Lumen Ambient Temperature (LAT) Multipliers

Ambient		Lumen Multiplier
0°C	32°F	1.02
10°C	50°F	1.01
20°C	68°F	1.00
25°C	77°F	1.00
30°C	86°F	1.00
40°C	104°F	0.99

PRODUCT IMAGES & ACTUAL INSTALLATIONS



PRODUCT WARNINGS

- ⚡ Please turn off power before install or change assembly parts.
- ⚡ The input voltage and lamps should be matched, after connecting the power line.
- ⚡ Please make sure the wiring section is insulated.
- ⚡ Professionals must install and disassemble the lamps.
- ⚡ Surge is the number 1 cause of LED light failure. Outdoor lights must have surge at fixture, pole, and breaker.
- ⚡ Surge is the number 1 cause of LED light failure. Indoor lights must have surge at fixture and breaker.

PRODUCT TROUBLESHOOTING

Issue	Check points
Light Flickers	Check all wiring for disconnections, shorts and burnt wiring and connections. Confirm steady input voltage to the light fixture, fluctuating input voltage will harm the LED driver and can lead to premature failure. Lights with photocells can have photocell tag from ambient light or light reflecting at the sensor. Simply cover the photocell completely and see if flickering continues while the photocell is covered. Call Tech Support for help if none of the above solves the issue.
Light does not work at all.	Check all wiring for disconnections, shorts and burnt wiring and connections. Confirm steady input voltage to the light fixture, fluctuating input voltage will harm the LED driver and can lead to premature failure. If input voltage is not in the voltage range of the fixture, you will need to find the source of your input voltage issue. Call Tech Support for help if none of the above solves the issue.

For more technical information, install questions, troubleshooting help or warranty claims, we have a dedicated US Tech and Customer Support Team to help solve any issues you have and can be reached by email or phone. If you need help with any of our products, we are here for you so that you are never in the dark!

BETTER LIGHTS. BETTER SUPPORT.

