

Motion Security Light Installation Instructions

Version No.: YDAQD-SMS-KG-01

Pay attention to security. Please read those operating manual and keep them for future use before installation. The company will not take the responsibility if you are not operate according to the instructions.

Important safety operating instructions

1. Please read all warnings and instructions labels which is included in the box and fixture to avoid personal injury, property damage caused by fire, electric shock, components falling, cuts, bruises ,death and other dangerous.
2. Please follow these general precautions before installing, maintaining, or fixing.
3. Commercial installation, service and maintenance of luminaires should be performed by a qualified licensed electrician.
4. For residential installation: if you are unsure about the installation or maintenance of the luminaires, please consult a qualified licensed electrician and check your local electrical code.
5. Don't let the luminaires contact with the surface of combustible materials.
6. Fixture can not be used with dimmer switch, motion sensors and other electronic switching devices .The LED light have to controlled by one switch unless some special design.
7. This fixture should not be used in areas with limited ventilation or high ambient temperature.

Warning: Risk of electrical shock

1. Turn off electrical power at fuse or circuit breaker box before wiring fixture to the power supply
2. Make sure the fixture connect in right voltage. Connect the fixture with 100-277V 50/60Hz power supply.
3. Make sure all electrical and grounded connections in accordance with the National Electrical Code and applicable local code requirements.
4. All wiring connections should be compliance with UL standard.

Caution: Risk of product damage

1. Never connect components under load
2. Do not hang or support these fixtures that will cut the outer jacket or damage wire insulation.
3. To avoid LED fixtures covered by insulation stuff, foam, or other material.
4. Unless individual product specifications deem, otherwise: Do not exceed fixtures maximum ambient temperature
5. Electrostatic Discharge can damage LED fixtures. Personal grounding equipment must be worn during installing or maintaining.
6. Do not touch individual electrical components as this can cause electrostatic discharge, shorten lamp life, or alter performance.

Caution: Risk of injury

1. Wear gloves and safety glasses at all times when moving luminaire from carton, installing, servicing or performing maintenance.
2. Avoid direct eye exposure to the light source while it is on. Or this may cause irreparable damage to the eyes.
3. Account for small parts and destroy packing material, as these may be hazardous to children.

Caution: Risk of burn

1. Allow fixture to cool before before touch.
2. Do not exceed maximum wattage marked on luminaire label.

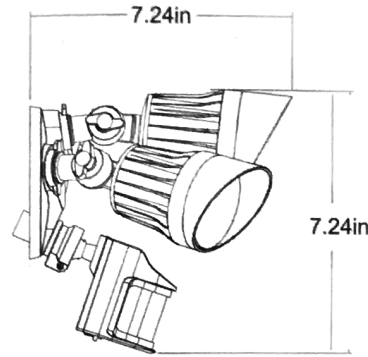
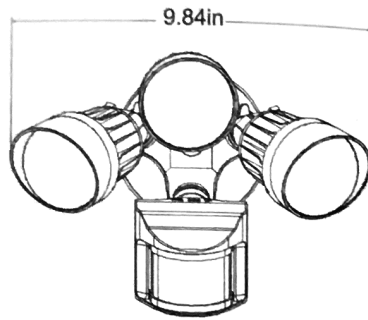
Installation location

1. Choose installation location--- on the wall or under the eave
2. Fixed the lamp base on the general direction that the light can covering.
3. If necessary, adjust the sensor and rotate to make sure controller can align the ground after installation

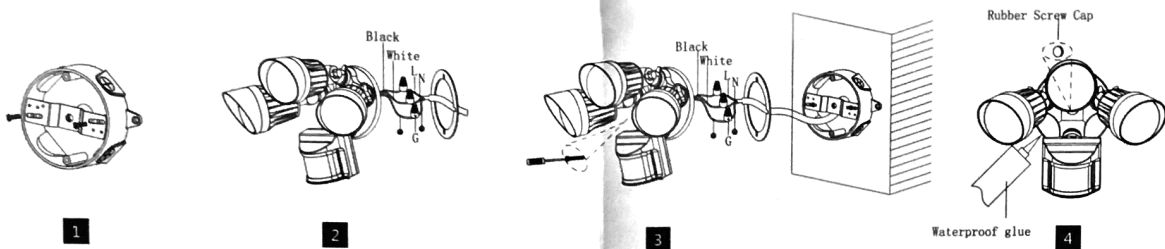
Note: Do not install the fixture on the ground

4. Keep the lamp/lens away from combustible and other materials that can burn.

Product Image



Base Installation:



1. Fixing the bracket installation hole with junction box hole by screw, the screw included in accessory bag.

Note: Don't connect electricity before installation and maintenance

2. Wiring the light and junction box through the spongy cushion(B) by terminal blocks(G)

- a. Connect the white wire to the white
- b. Connect the black wire to the black
- c. Connect the yellow and green wire to the yellow and green

Note: Don't cut or remove any connectors on the wire to make sure the positive and negative connection is correct.

3. Installed the light on the spongy cushion and bracket by tie bolt, gasket and rubber ring.

Note: Please make sure all wires are in junction box or lamp body before put the light into junction box.

4. Cover the screw cap, use waterproof glue seal the rear cover and the light to make sure the lamp waterproof

5. Angle interpretation: motion sensor up to down move angle: 0-90°, left to right move angle : 0-120°

Product function description:

1. Mode is adjustable, by adjust the left side 3 switches, as follow: On-Time (Light stay on all the time) / Auto(motion and dusk-to-dawn function) / D2D(dusk-to-dawn function)

2. Photosensor sensitivity is adjustable(0-∞ Lux), rotating the first knob clockwise, the corresponding light intensity value is larger, and vice versa.

3. Stand-by time is adjustable(5S-5minutes), rotating the second knob clockwise, the corresponding lights out delay time is longer, and vice versa.

4. The MAX detect distance is adjustable(6-21m), and rotate the third knob clockwise, the corresponding detect distance is longer, and vice versa.

