

HV 150W REVAN III | LED RETRO FIT KIT

PRODUCT DESCRIPTION

LED Retrofit Kits offer an innovative upgrade for traditional lighting fixtures, delivering enhanced energy efficiency and longevity. The kits feature a modern flat-panel design with an aluminum fin heat sink and sunon fan active cooling technology, ensuring optimal performance and reliability even in demanding environments. With built-in overheat protection, an adjustable bracket for both vertical and horizontal installations, and a trusted Meanwell driver, these kits are perfectly engineered for applications such as pole fixtures, including shoebox and cobra head setups.



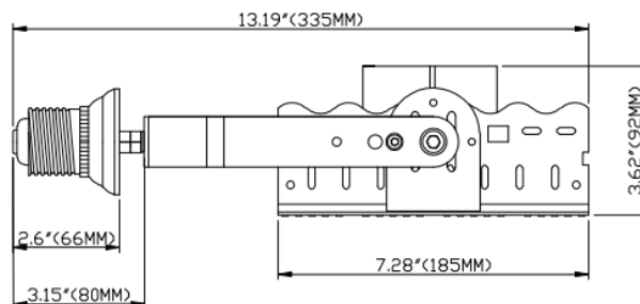
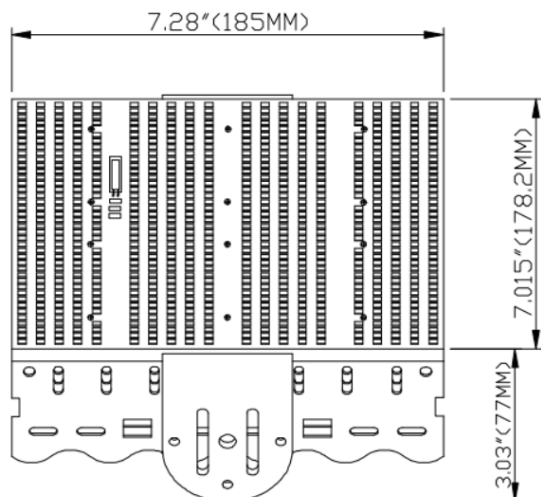
Part #: LLE-REVAN-3-150W

PRODUCT FEATURES & COMMON USE APPLICATIONS

- ✓ ETL cETL DLC approved
- ✓ Meanwell driver
- ✓ AC277-480V input
- ✓ Rotable Design
- ✓ SMD2835, SMD3030 LED chips
- ✓ Unique Cooling System designed with an aluminum fin heat sink Adjust 180 degree, E40 E39 socket
- ✓ High Lumens LED Chips
- ✓ 5 Year Warranty.

- ✓ Parking Lots, Tennis Courts Canopy
- ✓ Gas Stations
- ✓ Schools, Gardens
- ✓ Public Parks

PRODUCT DIMENSIONS



RATED EXCELLENT ★★★★★ Trustpilot

PRODUCT TECHNICAL SPECIFICATIONS

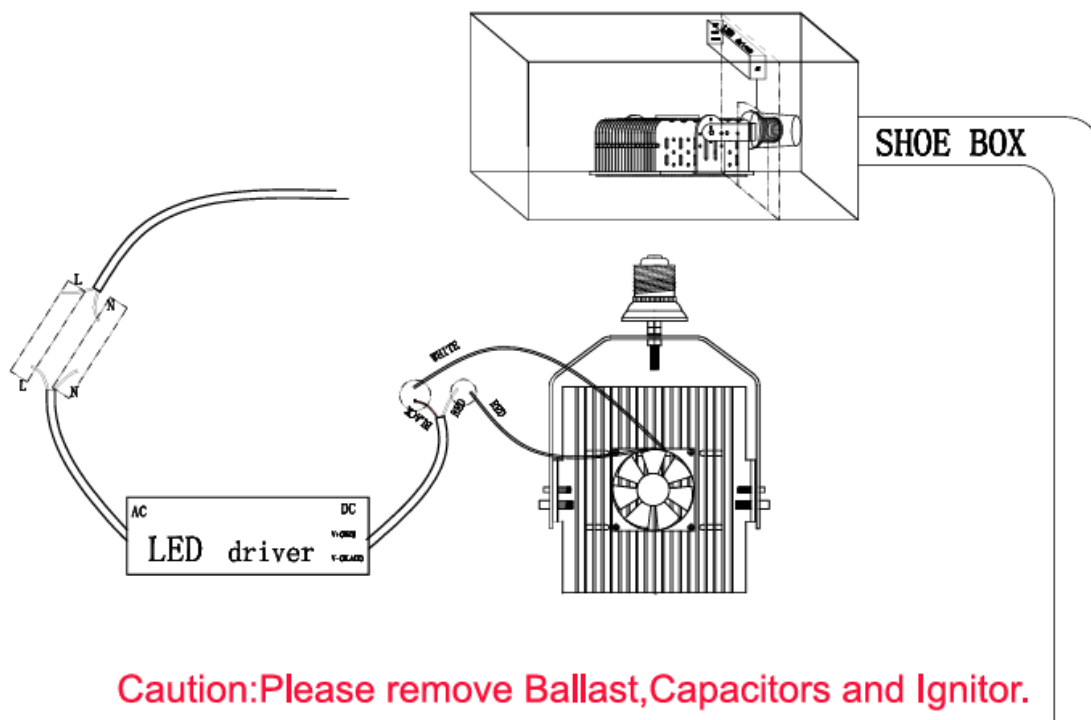
OPTICAL	Input Power (Tolerance: $\pm 10\%$)	150W
	Color Temperature	5000K
	Lumen (Tolerance: -10%)	21000
	Efficacy (Tolerance: -3%)	140 LM/W
	CRI	>80
	Distribution Pattern	Type III
	Beam Angle (50%) (Tolerance: $\pm 15\%$)	120°(Adjustable to 180)
	Input Voltage and Frequency	277-480V
	PF (Tolerance: -3%)	≥ 0.9
ELECTRICAL	THD (Tolerance: +5%)	$\leq 20\%$
	Flicker Percent	<5%
	Driver Brand	Meanwell
	Driver Model	HVG-240-24A
	Driver Surge protection	NA
	Dimming	0-10V
	Optional Accessory	None
	LED Brand	Osram
	LED Type	SMD2835
MATERIALS	LED QTY	800PCS
	Housing	Silver/Gray
	Housing Color	Aluminum Alloy
	EPA	NA
	Waterproof Rating	IP42
	Operating Temperature	-40°C TO 45°C
	Storage Temperature	-40°C TO 80°C
OTHERS	Operating Humidity	20% - 70% RH
	Storage Humidity	10% - 75% RH
	Warranty	5 years warranty with 24/7 operating hours Luminaire lifetime at 25°C.

PRODUCT MOUNTS & ACCESSORIES

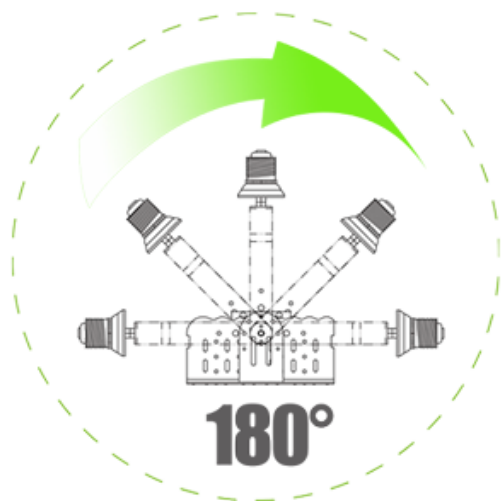
PRODUCT INSTALLATION

E39 E40 Retrofit kit with Meanwell driver:

- ① E39 E40 base install in fixture socket
- ② Output of Meanwell driver connect with fixture socket
Red(DC+) connect Meanwell driver red line(L),
Black(DC-) connect Meanwell driver black line(N)
- ③ Input of Meanwell driver connect 100~277VAC or 185~528VAC
Green / Yellow(E) connect PE. Brown(AC+) connect L
Blue(AC-) connect N
- ④ Turn on the light.



PRODUCT INSTALLATION



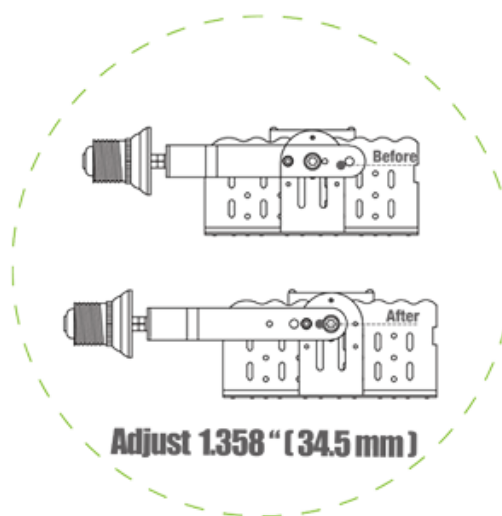
180°

Rotable 180°



360°

Rotable 360°



Adjust 1.358" (34.5 mm)

Adjust 1.358" (34.5 mm)



360°

Rotable 360°

PHOTOMETRICS

Product Mark

Product Type :150W LED Retrofit Kits

Manufacturer :NO

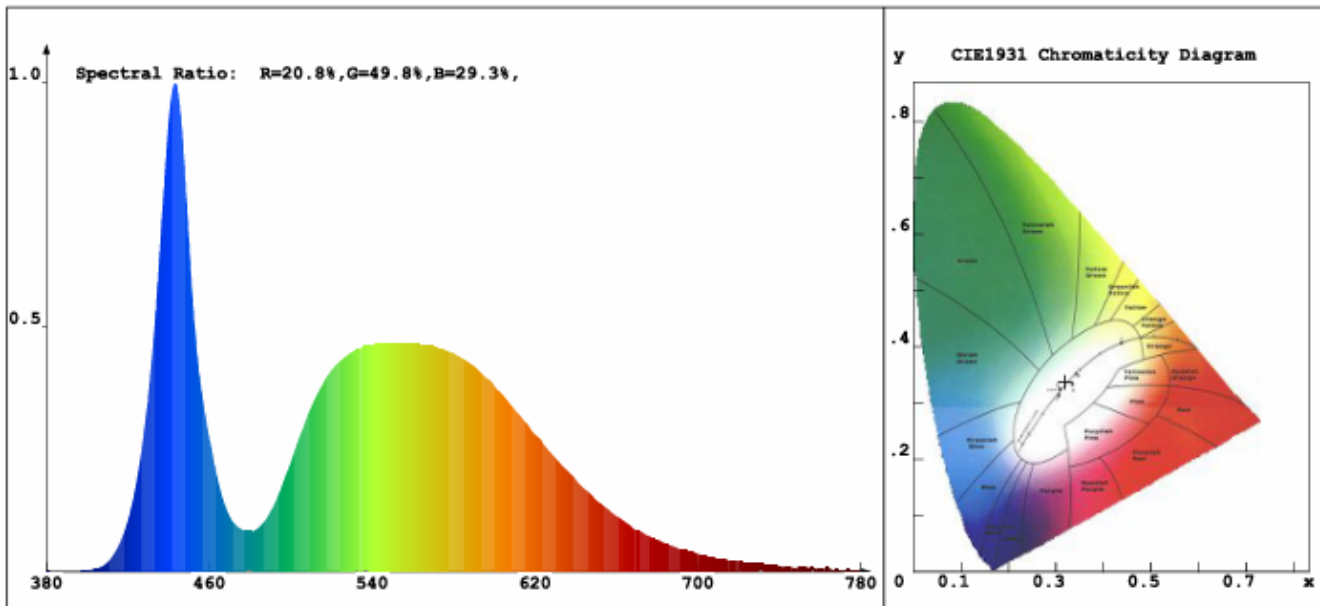
Temperature :NO

Humidity :65%

Operator :admin

Test Date :2014-11-12 09:18:02

Remark:



Chroma Parameters

Chro.Coor.:x=0.3198 y=0.3373 u=0.1996 v=0.3158 duv=0.0039

CCT: 6096K Dominant Wave.:495.5nm Purity:4.3%

Flux RGB Ratio:R=12.5%,G=85.2%,B=2.3% Peak Wave:443.5nm Half Width:19.4nm

Rendering Index:Ra= 71.2

R1 =70	R2 =73	R3 =76	R4 =73	R5 =72	R6 =67	R7 =78	R8 =60
R9 =0	R10=37	R11=74	R12=47	R13=69	R14=87	R15=64	

Photo Parameters

Flux:21914.24lm Effi.:141.3lm/W Radiant:53253.8mW Ri:0.0mW/sr

Ele. Parameters

Voltage:U=220.300V

Current:I=0.7950A

Power:P=155.20W

Power Factor:PF=0.977

Instrument state

Instrument:Hopoo HP8000S

Integral Time: 1.000ms

VPeak: 14672

VDark: 1245

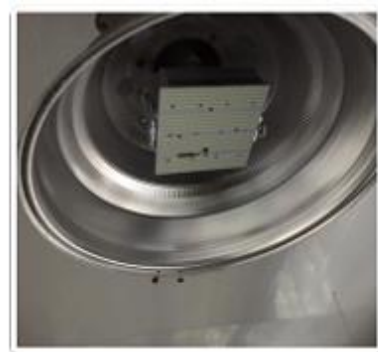
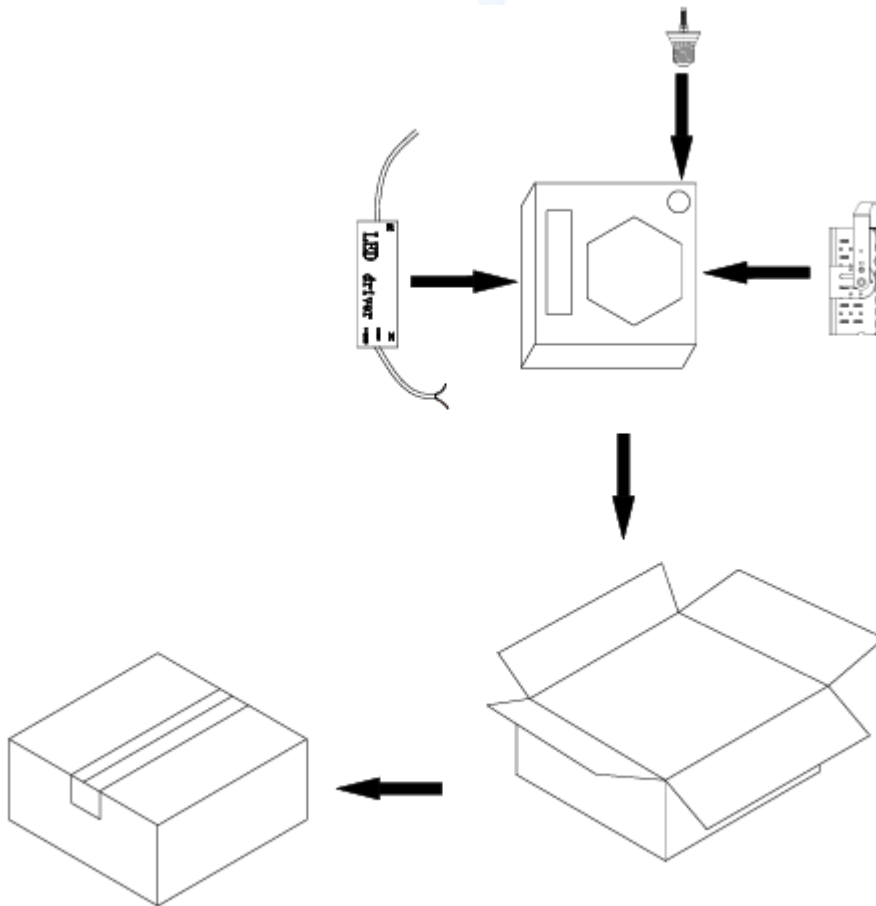
Scan Range: 380-780nm

Product ID: 201308416

PRODUCT PACKAGING

Power	Unit	Size	Gross weight	Volume
100~150W	1pcs	32.5*31*15.5cm	2.9kg	0.015m ³
	4pcs	64*34*33cm	12.6kg	0.071m ³

*Tolerance of Carton Size: ±15 MM, Tolerance of Weight: ±10%.



PRODUCT WARNINGS

- Please turn off power before install or change assembly parts.
- The input voltage and lamps should be matched, after connecting the power line.
- Please make sure the wiring section is insulated.
- Professionals must install and disassemble the lamps.
- Surge is the number 1 cause of LED light failure. Outdoor lights must have surge at fixture, pole, and breaker.
- Surge is the number 1 cause of LED light failure. Indoor lights must have surge at fixture and breaker.

PRODUCT TROUBLESHOOTING

Issue	Check points
Light Flickers	Check all wiring for disconnections, shorts and burnt wiring and connections. Confirm steady input voltage to the light fixture, fluctuating input voltage will harm the LED driver and can lead to premature failure. Lights with photocells can have photocell tag from ambient light or light reflecting at the sensor. Simply cover the photocell completely and see if flickering continues while the photocell is covered. Call Tech Support for help if none of the above solves the issue.
Light does not work at all.	Check all wiring for disconnections, shorts and burnt wiring and connections. Confirm steady input voltage to the light fixture, fluctuating input voltage will harm the LED driver and can lead to premature failure. If input voltage is not in the voltage range of the fixture, you will need to find the source of your input voltage issue. Call Tech Support for help if none of the above solves the issue.

For more technical information, install questions, troubleshooting help or warranty claims, we have a dedicated US Tech and Customer Support Team to help solve any issues you have and can be reached by email or phone. If you need help with any of our products, we are here for you so that you are never in the dark!



RATED EXCELLENT  ★ Trustpilot