

50W | LLE 6IN HO TUNABLE DOWN LIGHT

PRODUCT DESCRIPTION

THE 6 INCH LED DISK LIGHTS OFFER VERSATILE LIGHTING OPTIONS WITH 5 COLOR TEMPERATURE SETTINGS. YOU CAN CHOOSE BETWEEN 2700K WARM WHITE, 3000K SOFT WHITE, 3500K NATURAL WHITE, 4000K COOL WHITE, AND 5000K BRIGHT WHITE. THESE DIMMABLE SURFACE MOUNT CEILING LIGHTS ARE SUITABLE FOR VARIOUS SPACES, INCLUDING CLOSETS, LIVING ROOMS, BEDROOMS, OFFICES, AND MORE. WITH A 50,000-HOUR LIFESPAN, THEY PROVIDE RELIABLE ILLUMINATION AND COME BACKED BY A 5-YEAR WARRANTY



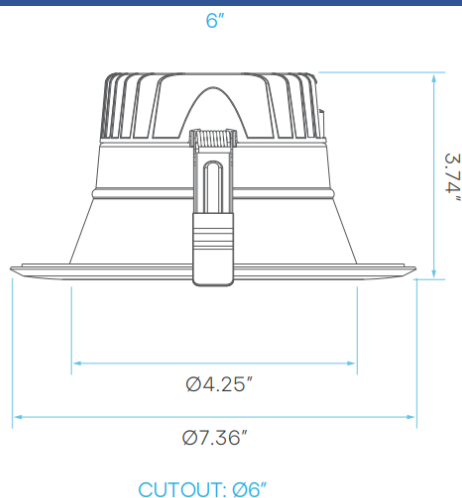
PART #: LLE-50W-6IN-HO-TT

PRODUCT FEATURES & COMMON USE APPLICATIONS

- ✓ Lumileds Chip, high CRI.
- ✓ Input voltage 120-277Vac
- ✓ No UV or IR in the beam
- ✓ Easy to install and operate
- ✓ Energy saving, long lifespan
- ✓ Instant start, NO flickering, NO humming
- ✓ Green and eco-friendly without mercury
- ✓ Output constant current lever can be adjusted through output cable with 0-10V.

- ✓ LIVING ROOMS
- ✓ OFFICES
- ✓ BEDROOMS.
- ✓ CLOSETS

PRODUCT DIMENSIONS




RATED EXCELLENT ★★★★★ ★ Trustpilot

PRODUCT TECHNICAL SPECIFICATIONS

OPTICAL	Input Power (Tolerance : ±10%)	30W/40W/50W(Wattage Selectable)
	Color Temperature	2700K/3000K/3500K/4000K/5000K(Color Selectable)
	Lumen (Tolerance : -10%)	3000LM/4000LM/5000LM
	Efficacy (Tolerance : -3%)	100LM/W
	CRI	90
	Color Consistency	<6 Steps (or <6 SDCM)
	UGR (Glare Rating)	<28
	Diffuser Type	PC Lens
ELECTRICAL	Beam Angle (50%) (Tolerance :	80 Degree
	Input Voltage and Frequency	120-277VAC
	PF (Tolerance : -3%)	≥0.9
	THD (Tolerance : +5%)	≤15%
	Flicker Percent	<5%
	Dimming	DUAL DIMMING TRIAC/0-10V
	Driver Model	LLE Grade Lighting Driver
	Housing	Die-cast aluminum
	Housing Color	White
Waterproof Rating	Wet Location	
MATERIALS	Operating Temperature	-4°F to 104°F
	Storage Temperature	-4°F to 104°F
	Operating Humidity	20% - 90% RH
	Storage Humidity	10% - 95% RH
	Warranty	3 years warranty with 24/7 operating hours Luminaire lifetime at

PRODUCT FEATURES



**CRI
90**

COLOR SELECTABLE

2700K
3000K
3500K
4000K
5000K

**WATTAGE
SELECTABLE**

3 OPTIONS

INSTALLATION INSTRUCTION

IMPORTANT

READ CAREFULLY BEFORE INSTALLING FIXTURE. KEEP THESE INSTRUCTIONS FOR FUTURE REFERENCE. LUXRITE FIXTURES MUST BE WIRED IN ACCORDANCE WITH THE NATIONAL ELECTRICAL CODE AND ALL APPLICABLE LOCAL CODES. PROPER GROUNDING IS REQUIRED FOR SAFETY. THIS PRODUCT MUST BE INSTALLED IN ACCORDANCE WITH THE APPLICABLE INSTALLATION CODE BY A PERSON FAMILIAR WITH THE CONSTRUCTION AND OPERATION OF THE PRODUCT AND THE HAZARDS INVOLVED. THIS INSTALLATION GUIDE DOES NOT SUPERSEDE LOCAL, NATIONAL REGULATIONS FOR ELECTRICAL INSTALLATIONS.

WARNINGS:

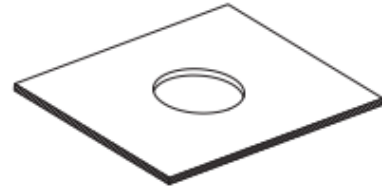
- **RISK OF ELECTRIC SHOCK** - DISCONNECT POWER AT FUSE OR CIRCUIT BREAKER BEFORE INSTALLING OR SERVICING.
- TO PREVENT EARLY LAMP FAILURE, LAMP SHOULD ONLY BE INSTALLED IN OPERATING ENVIRONMENTS RANGING BETWEEN -20°C AND 40°C (-4°F AND 104°F).
- NO USER SERVICEABLE PARTS INSIDE. TO AVOID ELECTRICAL SHOCK DO NOT DISASSEMBLE PRODUCT.
- LED RETROFIT KIT INSTALLATION REQUIRES KNOWLEDGE OF LUMINAIRE ELECTRICAL SYSTEMS. IF NOT QUALIFIED, DO NOT ATTEMPT INSTALLATION. CONTACT A QUALIFIED ELECTRICIAN
- INSTALL THIS KIT ONLY IN LUMINAIRE THAT HAVE THE CONSTRUCTION FEATURES AND MINIMUM DIMENSIONS SHOWN IN THESE INSTRUCTIONS AND WHERE THE INPUT RATING OF THE RETROFIT KIT DOES NOT EXCEED THE INPUT RATING OF THE LUMINAIRE.
- DO NOT MAKE OR ALTER ANY OPEN HOLES IN AN ENCLOSURE OF WIRING OR ELECTRICAL COMPONENTS DURING KIT INSTALLATION.
- TO PREVENT WIRING DAMAGE OR ABRASION, DO NOT EXPOSE WIRING TO EDGES OF SHEET METAL OR OTHER SHARP OBJECTS.
- THE RETROFIT KIT IS ACCEPTED AS A COMPONENT OF A LUMINAIRE WHERE THE SUITABILITY OF THE COMBINATION SHALL BE DETERMINED BY AUTHORITIES HAVING JURISDICTION. PRODUCT MUST BE INSTALLED BY A QUALIFIED ELECTRICIAN IN ACCORDANCE WITH THE APPLICABLE AND APPROPRIATE ELECTRICAL CODES. THE INSTALLATION GUIDE DOES NOT SUPERSEDE LOCAL OR NATIONAL REGULATIONS FOR ELECTRICAL INSTALLATIONS.

- MINIMUM 90°C SUPPLY CONDUCTORS
 - INSTALLERS SHOULD EXAMINE ALL PARTS THAT ARE NOT INTENDED TO BE REPLACED BY THE RETROFIT KIT FOR DAMAGE AND REPLACE ANY DAMAGED PARTS PRIOR TO INSTALLATION OF THE RETROFIT KIT.
- THIS EQUIPMENT HAS BEEN TESTED AND FOUND TO COMPLY WITH THE LIMITS FOR A CLASS A DIGITAL DEVICE, PURSUANT TO PART 15 OF THE FCC RULES. THESE LIMITS ARE DESIGNED TO PROVIDE REASONABLE PROTECTION AGAINST HARMFUL INTERFERENCE WHEN THE EQUIPMENT IS OPERATED IN A COMMERCIAL ENVIRONMENT. THIS EQUIPMENT GENERATES, USES, AND CAN RADIATE RADIO FREQUENCY ENERGY AND, IF NOT INSTALLED AND USED IN ACCORDANCE WITH THE INSTRUCTION MANUAL, MAY CAUSE HARMFUL INTERFERENCE TO RADIO COMMUNICATIONS. OPERATION OF THIS EQUIPMENT IN A RESIDENTIAL AREA IS LIKELY TO CAUSE HARMFUL INTERFERENCE IN WHICH CASE THE USER WILL BE REQUIRED TO CORRECT THE INTERFERENCE AT HIS OWN EXPENSE.

INSTALLATION INSTRUCTIONS

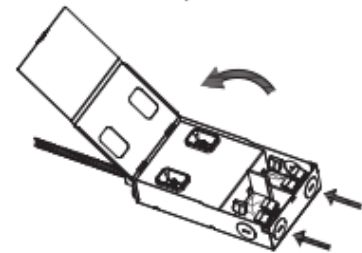
1. TURN POWER OFF FROM THE ELECTRICAL PANEL BEFORE INSTALLATION.
2. USE TEMPLATE INSIDE BOX TO CUT HOLE IN CEILING. **FIGURE 1**

FIGURE 1



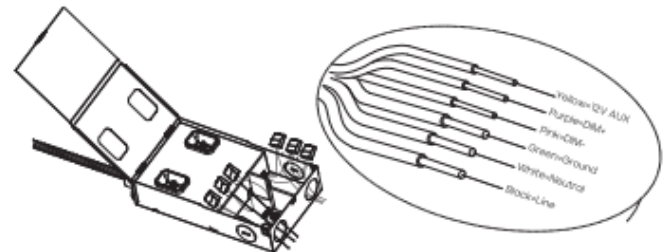
3. OPEN THE DRIVER BOX AND REMOVE THE KNOCKOUT(S). **FIGURE 2**

FIGURE 2



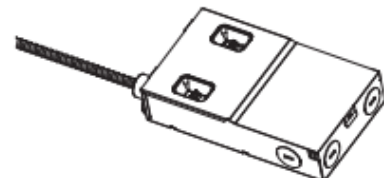
4. INSERT THE ELECTRICAL SUPPLY CABLE THROUGH THE KNOCKOUT AND SECURE WITH A NUT. WIRE DRIVER BOX (FIG.3) , WHITE-WHITE, BLACK - BLACK, GREEN - GREEN/GROUND, PURPLE-PURPLE, PINK-PINK, YELLOW-YELLOW. **FIGURE 3**

FIGURE 3



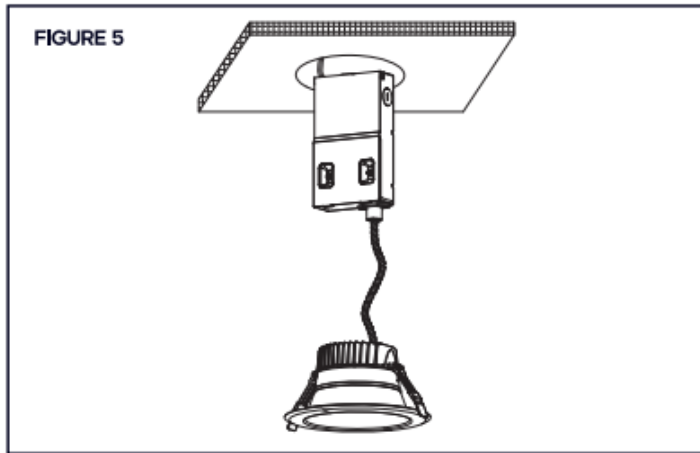
5. PLACE ALL WIRING AND CONNECTIONS BACK INTO THE BOX, CLOSE THE COVER AND SELECT DESIRED CCT AND WATTAGE.. **FIGURE 4**

FIGURE 4

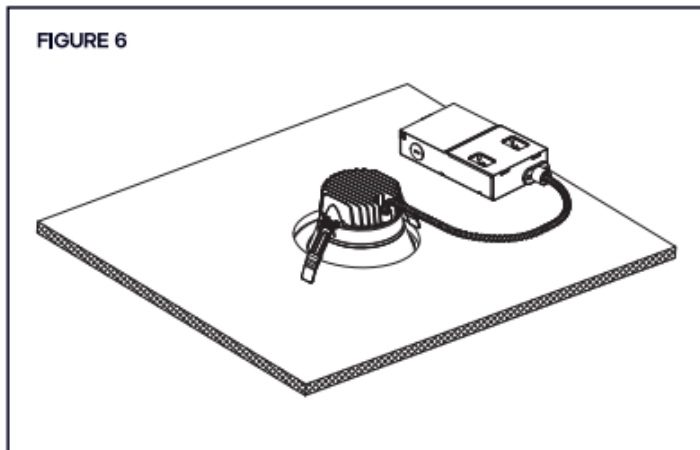


INSTALLATION INSTRUCTION

6. PLACE THE DRIVER BOX INTO THE CEILING AND CONNECT THE FIGURE TO DRIVER BOX. **FIGURE 5**

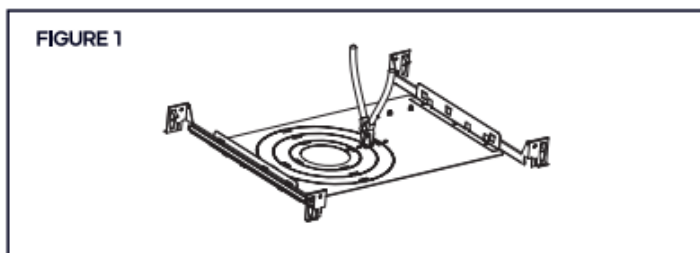


7. LIFTING BOTH RETENTION TABS UPWARD, PUSH UNTIL THE TRIM SITS FLUSH AGAINST THE CEILING. **FIGURE 6**

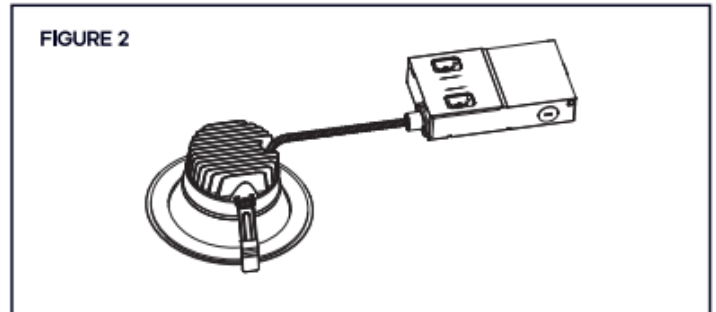


INSTALLATION WITH PLATE

1. TURN POWER OFF FROM THE ELECTRICAL PANEL BEFORE INSTALLATION.
2. CUT OUT THE APERTURE REQUIRED FOR FIXTURE INSTALLATION ON THE MOUNTING PLATE. **FIGURE 1**



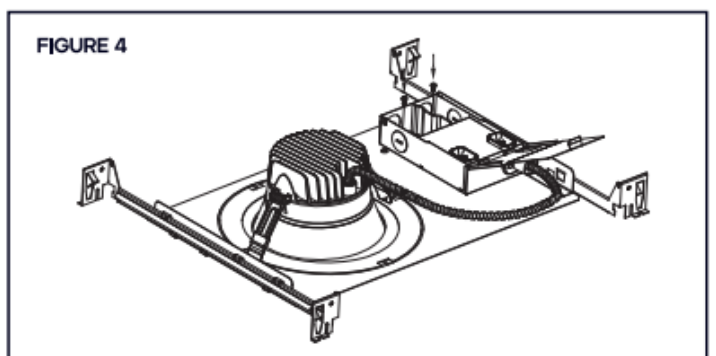
3. SELECT DESIRED CCT AND WATTAGE. **FIGURE 2**



4. PASS THE JUNCTION BOX THROUGH THE MOUNTING HOLE AND INSERT THE FIXTURE INTO THE MOUNTING PLATE. **FIGURE 3**



5. FASTEN THE JUNCTION BOX TO THE MOUNTING PLATE WITH SCREWS. **FIGURE 4**



PRODUCT WARNINGS

- Please turn off power before install or change assembly parts.
- The input voltage and lamps should be matched, after connecting the power line.
- Please make sure the wiring section is insulated.
- Professionals must install and disassemble the lamps.
- Surge is the number 1 cause of LED light failure. Outdoor lights must have surge at fixture, pole, and breaker.
- Surge is the number 1 cause of LED light failure. Indoor lights must have surge at fixture and breaker.

PRODUCT TROUBLESHOOTING

Issue	Check points
Light Flickers	Check all wiring for disconnections, shorts and burnt wiring and connections. Confirm steady input voltage to the light fixture, fluctuating input voltage will harm the LED driver and can lead to premature failure. Lights with photocells can have photocell tag from ambient light or light reflecting at the sensor. Simply cover the photocell completely and see if flickering continues while the photocell is covered. Call Tech Support for help if none of the above solves the issue.
Light does not work at all.	Check all wiring for disconnections, shorts and burnt wiring and connections. Confirm steady input voltage to the light fixture, fluctuating input voltage will harm the LED driver and can lead to premature failure. If input voltage is not in the voltage range of the fixture, you will need to find the source of your input voltage issue. Call Tech Support for help if none of the above solves the issue.

For more technical information, install questions, troubleshooting help or warranty claims, we have a dedicated US Tech and Customer Support Team to help solve any issues you have and can be reached by email or phone. If you need help with any of our products, we are here for you so that you are never in the dark!



RATED EXCELLENT  ★ Trustpilot