

# 27W | LLE 8IN TUNABLE DOWN LIGHT

## PRODUCT DESCRIPTION

THE 8 INCH LED DISK LIGHTS OFFER VERSATILE LIGHTING OPTIONS WITH 5 COLOR TEMPERATURE SETTINGS. YOU CAN CHOOSE BETWEEN 2700K WARM WHITE, 3000K SOFT WHITE, 3500K NATURAL WHITE, 4000K COOL WHITE, AND 5000K BRIGHT WHITE. THESE DIMMABLE SURFACE MOUNT CEILING LIGHTS ARE SUITABLE FOR VARIOUS SPACES, INCLUDING CLOSETS, LIVING ROOMS, BEDROOMS, OFFICES, AND MORE. WITH A 50,000-HOUR LIFESPAN, THEY PROVIDE RELIABLE ILLUMINATION AND COME BACKED BY A 5-YEAR WARRANTY



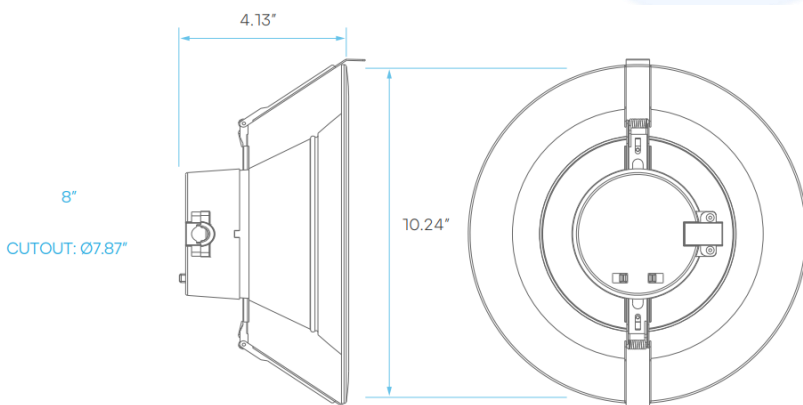
**PART #: LLE-27W-8IN-TT**

## PRODUCT FEATURES & COMMON USE APPLICATIONS

- ✓ Lumileds Chip, high CRI.
- ✓ Input voltage 120-277Vac
- ✓ No UV or IR in the beam
- ✓ Easy to install and operate
- ✓ Energy saving, long lifespan
- ✓ Instant start, NO flickering, NO humming
- ✓ Green and eco-friendly without mercury
- ✓ Output constant current lever can be adjusted through output cable with 0-10V.

- ✓ LIVING ROOMS
- ✓ OFFICES
- ✓ BEDROOMS.
- ✓ CLOSETS

## PRODUCT DIMENSIONS



RATED EXCELLENT ★★★★★ Trustpilot

## PRODUCT TECHNICAL SPECIFICATIONS

OPTICAL	Input Power (Tolerance : ±10%)	16W/21W/27W(Wattage Selectable)
	Color Temperature	2700K/3000K/3500K/4000K/5000K(Color Selectable)
	Lumen (Tolerance : -10%)	1600LM/2100LM/2700LM
	Efficacy (Tolerance : -3%)	100LM/W
	CRI	80
	Color Consistency	<6 Steps (or <6 SDCM)
	UGR (Glare Rating)	<28
	Diffuser Type	PC Lens
ELECTRICAL	Beam Angle (50%) (Tolerance :	120 Degree
	Input Voltage and Frequency	120-277VAC
	PF (Tolerance : -3%)	≥0.9
	THD (Tolerance : +5%)	≤15%
	Flicker Percent	<5%
	Dimming	DUAL DIMMING TRIAC/0-10V
	Driver Model	LLE Grade Lighting Driver
	Housing	Die-cast aluminum
MATERIALS	Housing Color	White
	Waterproof Rating	Wet Location
	Operating Temperature	-4°F to 104°F
	Storage Temperature	-4°F to 104°F
	Operating Humidity	20% - 90% RH
	Storage Humidity	10% - 95% RH
Warranty	3 years warranty with 24/7 operating hours Luminaire lifetime at	

## PRODUCT FEATURES



## INSTALLATION INSTRUCTION(KM)

**SAFETY PRECAUTIONS:** FOR SAFETY, READ AND UNDERSTAND INSTRUCTIONS COMPLETELY BEFORE STARTING INSTALLATION. ELECTRICITY SHOULD BE TURNED OFF AT THE FUSE OR THE CIRCUIT BREAKER BOX BEFORE INSTALLING THE FIXTURE. ALL ELECTRICAL CONNECTIONS MUST BE IN ACCORDANCE WITH N.E.C. OR YOUR LOCAL CODE.

**DANGER - RISK OF SHOCK - DISCONNECT POWER BEFORE INSTALLATION**

**DANGER - RISQUE DE CHOC - COUPER L'ALIMENTATION AVANT L'INSTALLATION**

**CAUTION:**  
DISCONNECT POWER BEFORE CONNECTING THE FIXTURE. FAILURE TO DO SO MAY PERMANENTLY DAMAGE THE LEDs.

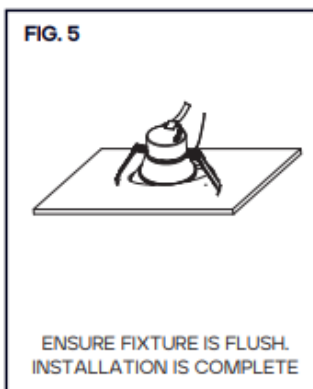
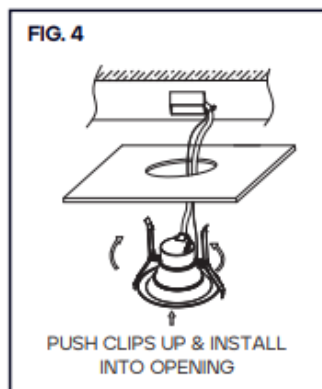
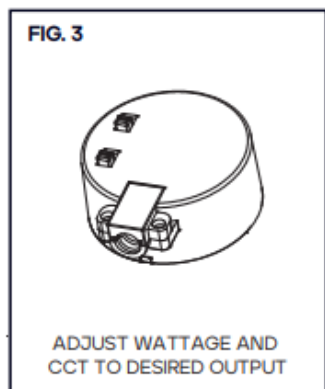
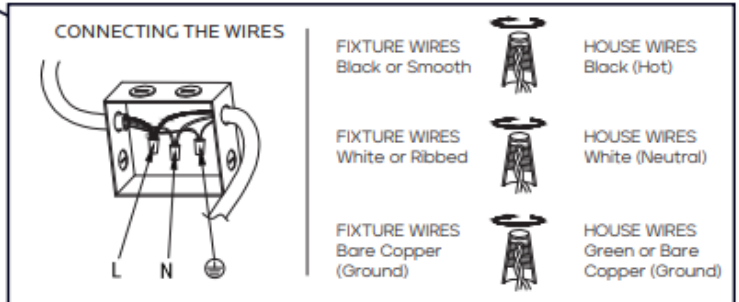
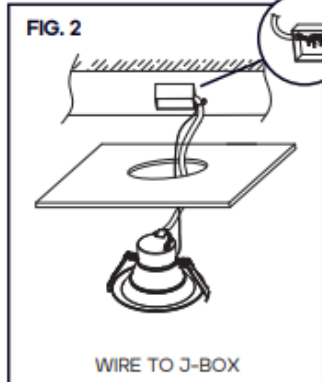
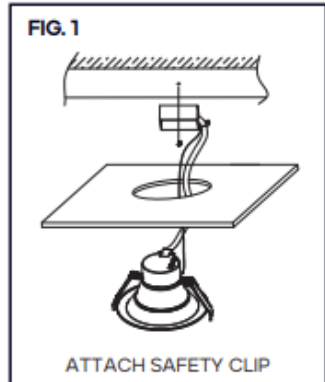
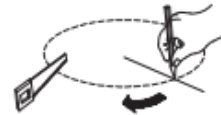
**WARNING:** For wet location installation, after fixture is installed on ceiling, put silicone glue to seal the gap between fixture and ceiling.

### NEW CONSTRUCTION INSTALLATION

1. Make sure the **POWER IS TURNED OFF** at the source to the recessed housing in which you are installing the product.
2. Fix the ceiling or other fixed parts of the junction box and hook the safety cord to the junction box or other place (FIG. 1)
3. Insert lamp conduit into the J-Box and wire to power source (black to hot, white to neutral, green to ground) (FIG. 2)
4. Adjust the lamp power to desired lumen output by sliding the selector switch (FIG. 3)
5. Squeeze the two housing clips so they are in an upright position and insert lamp into housing (FIG. 4)
6. Once lamp is inside the housing, release the housing clips and continue pushing lamp into housing until securely fixed in the ceiling. (FIG. 5)

**NOTE:** The junction box is fixed on the ceiling bracket.

USE THE TEMPLATE



### CUTOUT SIZE

CUTOUT: Ø 4.3" (110 MM)

CUTOUT: Ø 6.3" (160 MM)

CUTOUT: Ø 7.87" (200 MM)

CUTOUT: Ø 9.64" (245 MM)

## PRODUCT WARNINGS

- Please turn off power before install or change assembly parts.
- The input voltage and lamps should be matched, after connecting the power line.
- Please make sure the wiring section is insulated.
- Professionals must install and disassemble the lamps.
- Surge is the number 1 cause of LED light failure. Outdoor lights must have surge at fixture, pole, and breaker.
- Surge is the number 1 cause of LED light failure. Indoor lights must have surge at fixture and breaker.

## PRODUCT TROUBLESHOOTING

Issue	Check points
Light Flickers	Check all wiring for disconnections, shorts and burnt wiring and connections. Confirm steady input voltage to the light fixture, fluctuating input voltage will harm the LED driver and can lead to premature failure. Lights with photocells can have photocell tag from ambient light or light reflecting at the sensor. Simply cover the photocell completely and see if flickering continues while the photocell is covered. Call Tech Support for help if none of the above solves the issue.
Light does not work at all.	Check all wiring for disconnections, shorts and burnt wiring and connections. Confirm steady input voltage to the light fixture, fluctuating input voltage will harm the LED driver and can lead to premature failure. If input voltage is not in the voltage range of the fixture, you will need to find the source of your input voltage issue. Call Tech Support for help if none of the above solves the issue.

For more technical information, install questions, troubleshooting help or warranty claims, we have a dedicated US Tech and Customer Support Team to help solve any issues you have and can be reached by email or phone. If you need help with any of our products, we are here for you so that you are never in the dark!



RATED EXCELLENT  ★ Trustpilot