



Pegasus II Series High Bay bulbs is the next stage in high bay bulb evolution. Extendable socket neck for more versatile installations. Motion sensor option with step dimming. Ultra-high LED bulb efficiency with up to 145 lumens per watt and DLC 5.1 Certification.

P/N: RGL-PEGASUS-2-080WNXYZAI-ack

Note:

RGL= Rugged Grade Lighting;

PEGASUS-2 = Product series, LED High Bay Corn Light

080W = Rating Power

X = LED manufacturer, B=Lumileds, E=SAMSUNG

Y = diffuser types: "F" for frosted type and "C " for clear type

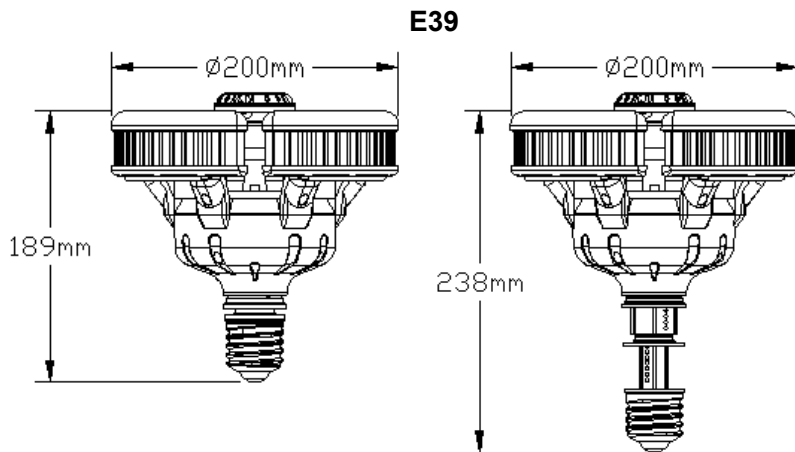
Z=Sensor type."N"for none sensor,"M"for motion sensor, "P"for PIR sensor.

a= the lamp base type, can be "E" for E39, "EX" for EX39

c=represents CCT, can be two digital



DIMENSIONS



ADVANTAGE

- UL cUL certificate.
- E39 EX39 lamp base.
- 120 degree lighting.
- Can be with clear or frosted cover.
- IP40 Waterproof Rating.
- Big heat sink, NO fan.
- Internal driver, input voltage AC100-277V.
- Meets 4KV surge immunity level
- Sealant pouring for whole driver and lamp plastic housing.
- Long lifespan and good heat dissipation.
- Direct replacement for Metal Halide, easy installation.
- Fits many different fixtures to replace traditional lamps.

NOTICE FOR USER

- Please turn off power before install or change assembly parts.
- The input voltage and lamps should be matched, after connecting the power line, Please make sure the wiring section is insulated.
- Make sure to remove or bypass the ballast in the fixtures before install the lamps.
- Suitable for damp locations.
- No-professionals, must not install and disassemble the lamps.

APPLICATION

- Used in factories, construction sites, stadiums, supermarkets, mining areas and etc.



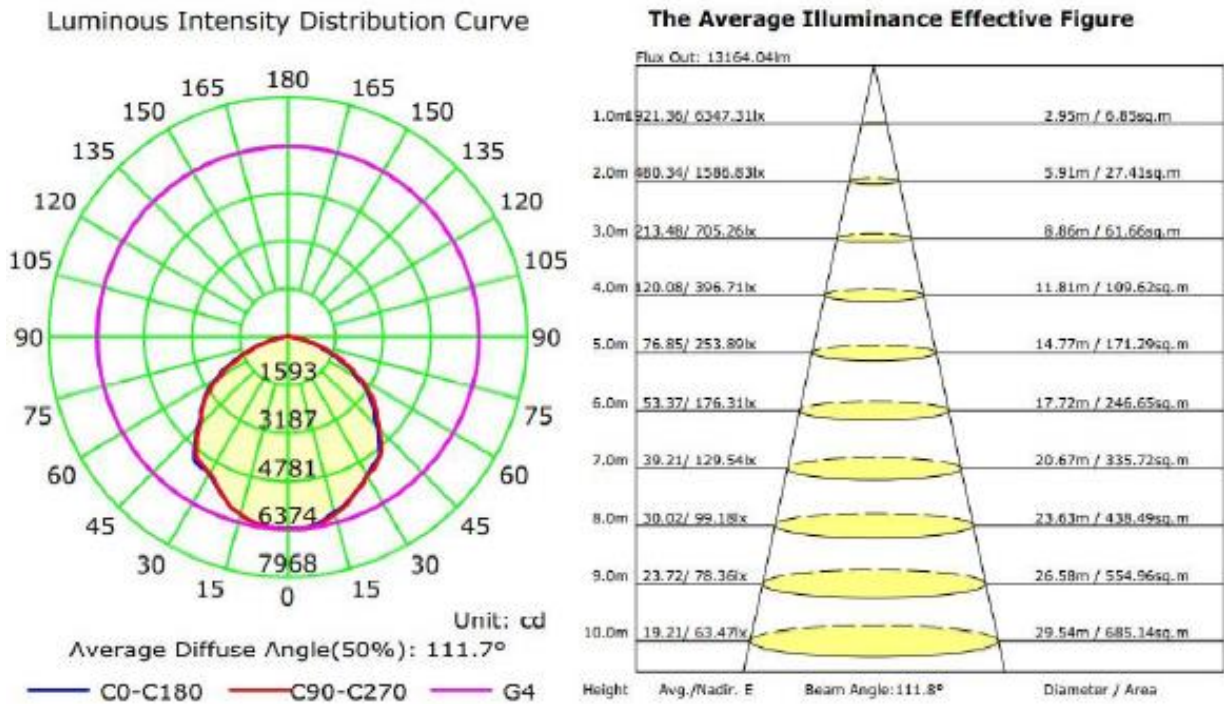
SPECIFICATIONS

OPTICAL	Input Power	80W
	Lumen	10400-11600Lm (Clear) / 9600-10400 LM (Frosted)
	Lumen Efficacy	130-145LM/W (Clear) / 120-130 LM/W (Frosted)
	Color Temperature	2700-6500K
	CRI	>80
	Viewing Angle	120 Degree
ELECTRICAL	Input Voltage	100-277VAC 50/60Hz
	PF	≥0.9
	THD	≤20%
	Equivalent	150W CFL, 250W MHL/HPS/HID
MATERIALS	LED Brand	Lumileds/SAMSUNG
	LED Type	SMD2835
	LED QTY	240PCS
	Housing	PC + Aluminum
	Housing Color	Any color
	Cover	Clear / Frosted
	Waterproof Rating	IP40
OTHERS	Operating Temperature	-40°C TO 50°C
	Operating Humidity	20%-70% RH
	Storage Temperature	-40°C TO 80°C
	Storage Humidity	10%-75% RH
	Warranty Time	5 Years



LIGHT DISTRIBUTION TESTING PARAMETERS

Remark: The testing data comes directly from the product test.

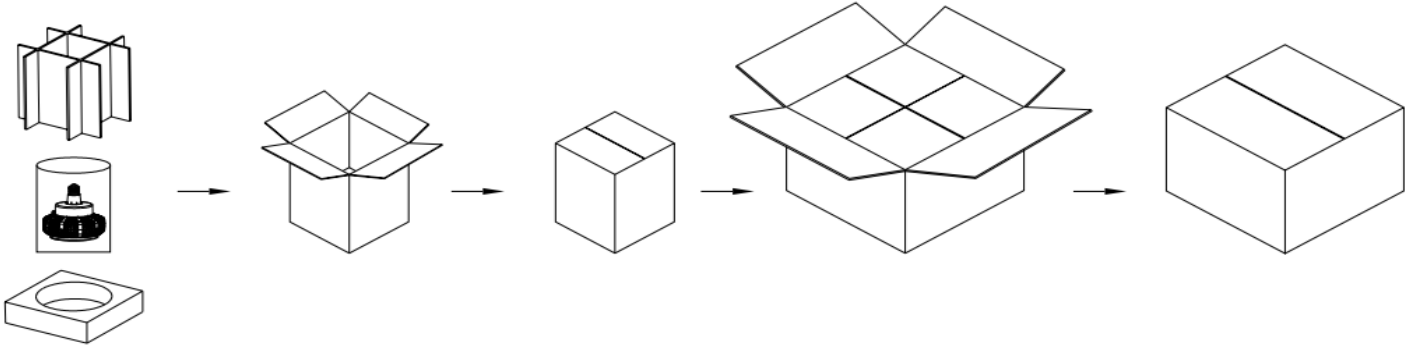


Pegasus II Series - with Adjustable Neck Length



PACKAGE

	Size	Qty / Carton	Net Weight / Carton	Gross Weight / Carton
Inner box	225*205*205 MM	1 PC	1.3 KG	1.72 KG
Outer box	430*430*245MM	4 PCS	5.2 KG	7.9 KG



NOTICE FOR USER

- Please turn off power before install or change assembly parts.
- The input voltage and lamps should be matched, after connecting the power line, please make sure the wiring section is insulated.
- Make sure to remove or bypass the ballast in the fixtures before install the lamps.
- This product does not apply to enclosed lamps.
- Suitable for damp locations. Do not use with dimmers.
- No-professionals, must not install and disassemble the lamps.

TROUBLE SHOOTINGS

Issue	Check points
Light Flickers	Check all wiring for disconnections, shorts and burnt wiring and connections. Confirm steady input voltage to the light fixture, fluctuating input voltage will harm the LED driver and can lead to premature failure. Lights with photocells can have photocell tag from ambient light or light reflecting back at the sensor. Simply cover the photocell completely and see if flickering continues while the photocell is covered. Call Tech Support for help if none of the above solves the issue.
Light does not work at all.	Check all wiring for disconnections, shorts and burnt wiring and connections. Confirm steady input voltage to the light fixture, fluctuating input voltage will harm the LED driver and can lead to premature failure. If input voltage is not in the voltage range of the fixture, you will need to find the source of your input voltage issue. Call Tech Support for help if none of the above solves the issue.

For more technical information, install questions, troubleshooting help or warranty claims, we have a dedicated US Tech and Customer Support Team to help solve any issues you have and can be reached by email or phone. If you need help with any of our products, we are here for you so that you are never in the dark!

BETTER LIGHTS. BETTER SUPPORT.





CERTIFIED



LISTED



LEGENDARY RUGGEDGRADE QUALITY
LEGENDARY USA SUPPORT



US based
phone and online
customer support



ROCK SOLID
5 YEARS
WARRANTY

