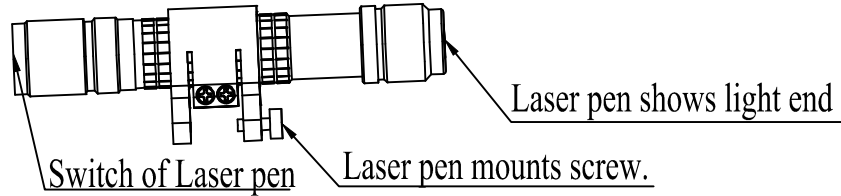


Installation instructions for laser pen components

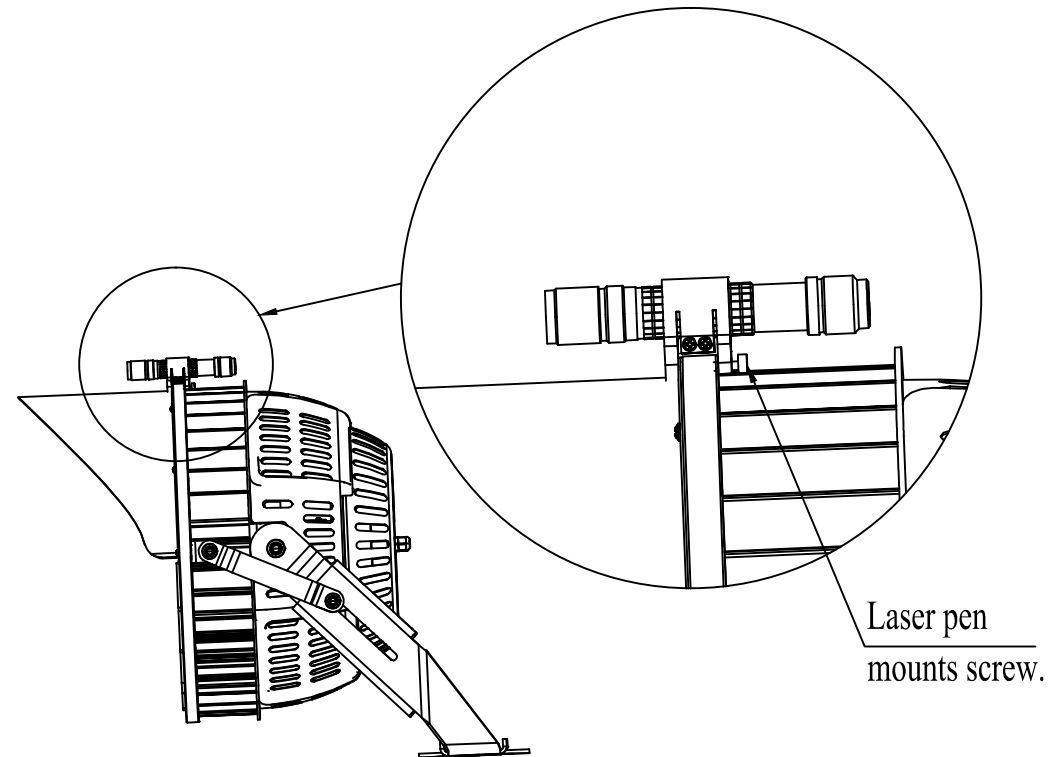
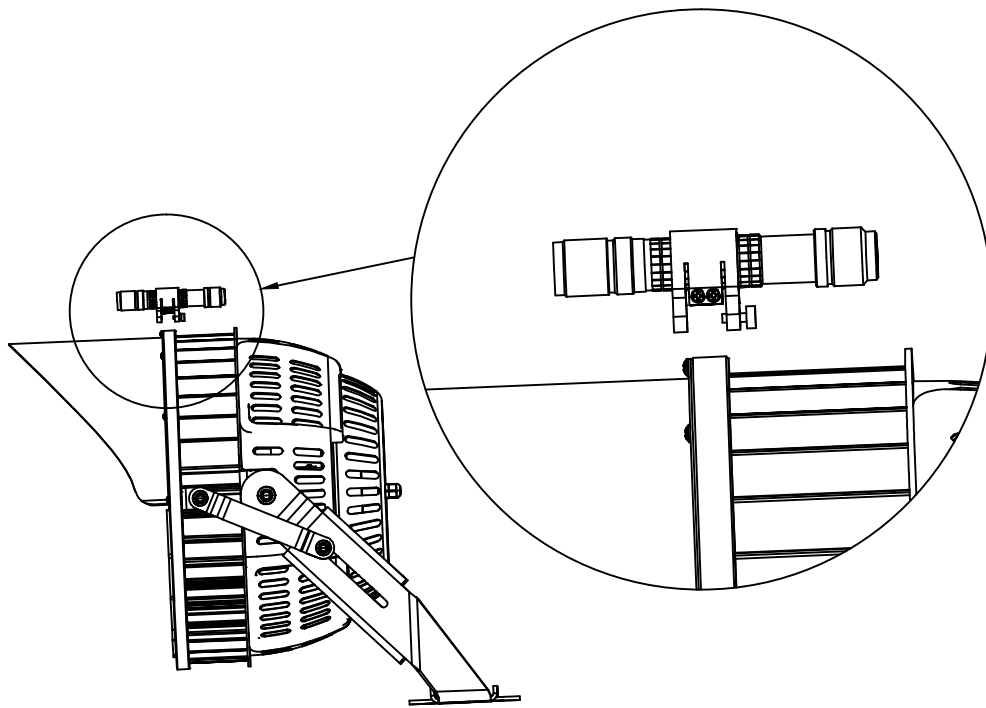
- 一、 The role of laser pen components: Use the laser to project the point, simulate the direction of the lamp's light projection, and assist the installation of the lamp.
- 二、 The structure of laser pen components:



三、 Installation procedure of laser pen components:

1. Place laser pen components in front of the glowing stadium lights along the edge.

2. Tighten the mounting screws to secure laser pen components to the fixture.



3. Install the lamp according to the "Stadium light installation instructions" and remove the laser pen from the lamp after installation.