

# 750W ICON PRO III SERIES | LED SPORT LIGHT



RuggedGrade

## PRODUCT DESCRIPTION

THE BEST IN SPORT AND AREA LIGHTING GETS BETTER. ICON PRO III HAS A DUAL SLIP-FIT AND FLOOD BRACKET MOUNT, INDIVIDUALLY ROTATING PANELS FOR PRECISE LIGHT PLACEMENT, EASILY CHANGED LENSES FOR PERFECT ANGLES, COMBINED WITH 140+ LUMENS TO WATT AND DLC 5.1 CERTIFICATION

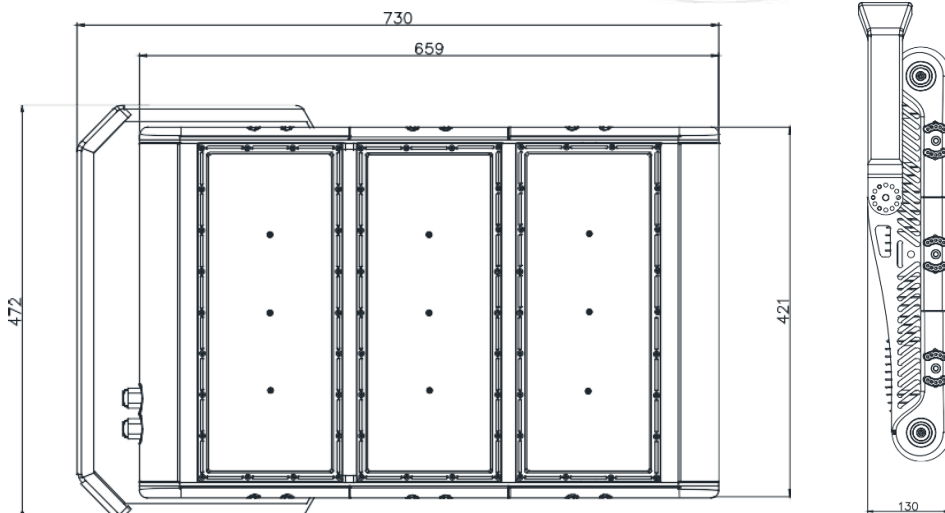


DLC #: RGL-ICONPRO3-750WCS4H1

## PRODUCT FEATURES & COMMON USE APPLICATIONS

- UL cUL certificate
- Input voltage 120-277VAC
- No UV or IR in the beam
- Easy to install and operate
- Energy saving, long lifespan
- Instant start, NO flickering, NO humming
- Green and eco-friendly without mercury
- Output constant current lever can be adjusted through output cable with 1-10V.
- Sport Stadiums
- Sport Courts
- Arenas
- Gymnasium
- Square plaza
- Shipyard
- Airport
- Wharf
- High mast and Contour lighting, etc.

## PRODUCT DIMENSIONS



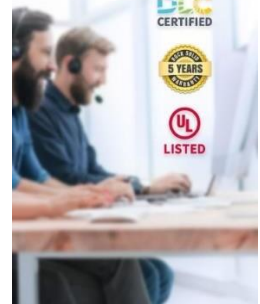
Rugged Grade Lighting  
Industrial Grade Solutions



## LEGENDARY USA SUPPORT



US based  
phone and online  
customer support



888-953-2476  
sales@ruggedgrade.com

## PRODUCT TECHNICAL SPECIFICATIONS

<b>OPTICAL</b>	Input Power (Tolerance: $\pm 10\%$ )	750W
	Color Temperature	5000K
	Lumen (Tolerance: -10%)	105000-112500LM
	Efficacy (Tolerance: -3%)	140-150LM/W
	CRI	>70
	Color Consistency	<6 Steps (or <6 SDCM)
	BUG	B5-U0-G3
	Distribution Pattern	V
Beam Angle (50%) (Tolerance: $\pm 15\%$ )	90°Lens Installed, 40°Lens Included in Box. 60°Available, Call for Order	
<b>ELECTRICAL</b>	Input Voltage and Frequency	120-277VAC, 50/60Hz
	PF (Tolerance : -3%)	$\geq 0.9$
	THD (Tolerance : +5%)	$\leq 20\%$
	Flicker Percent	<5%
	Driver Brand	SOSEN
	Driver Model	SS-240M -56BH*3
	Driver Surge protection	L/N-PE: 10kV, L-N: 6kV
	Dimming	1-10V dimming standard
	Optional Accessory	Surge-protective Device
<b>MATERIALS</b>	LED Brand	Seoul
	LED Type	SMD3030
	LED QTY	864 PCS
	Housing	Aluminum
	Housing Color	Black
	EPA	2.98 ft <sup>2</sup>
	Waterproof Rating	WET (IP65)
<b>OTHERS</b>	Operating Temperature	40 °C TO 45°C
	Storage Temperature	-40°C TO 80°C
	Operating Humidity	20% - 90% RH
	Storage Humidity	10% - 95% RH
	Warranty	5 years warranty with 24/7 operating hours Luminaire lifetime at 25°C

## PRODUCT MOUNTS & ACCESSORIES



AM



DM



ADM



# HV 750W ICON PRO III SERIES | LED SPORT LIGHT



## PRODUCT IMAGES & ACTUAL INSTALLATIONS



Rugged Grade Lighting  
Industrial Grade Solutions



888-953-2476  
sales@ruggedgrade.com

## PHOTOMETRICS & DLC PRODUCT SPEC

### Luminaire Property

Luminaire Manufacturer:  
 Luminaire Category:  
 Lamp Catalog:  
 Number of Lamps:  
 Luminous Length (mm):  
 Luminous Height (mm):  
 Current: 2.734 A  
 Power Factor: 0.995

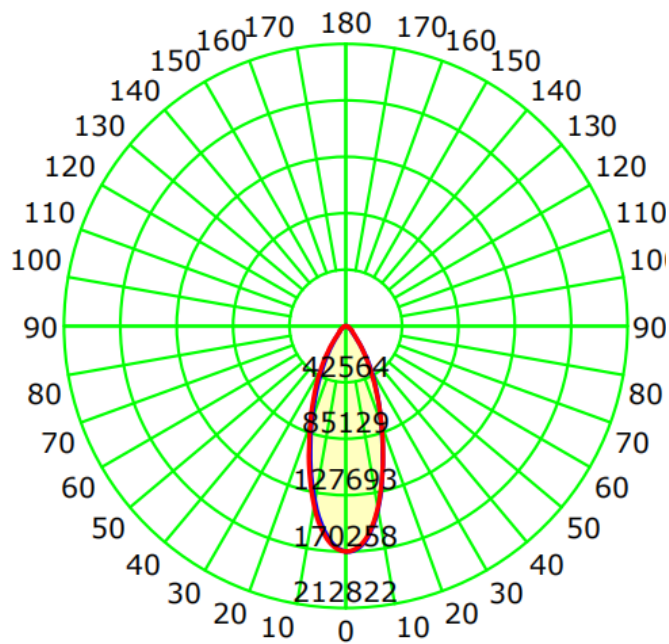
Luminaire Description:  
 Lamp Description:  
 Lumens per Lamp:  
 Luminous Width (mm):  
 Voltage: 277.0 V  
 Power: 753.66 W

### Photometric Results

IES Classification: Type I  
 Total Rated Lamp Lumens: 98429.2 lm  
 Efficiency: 100%  
 Upward Ratio: 0%  
 C0r0 Intensity: 170184.44 cd  
 Pos of Max. Intensity: H22.5 V1

Longitudinal Classification: Very Short  
 Measurement Flux: 98429.2 lm  
 Downward Ratio: 100%  
 Luminaire Efficacy Rating (LER): 130.65  
 Max. Intensity: 170258.27 cd

Luminous Intensity Distribution Curve

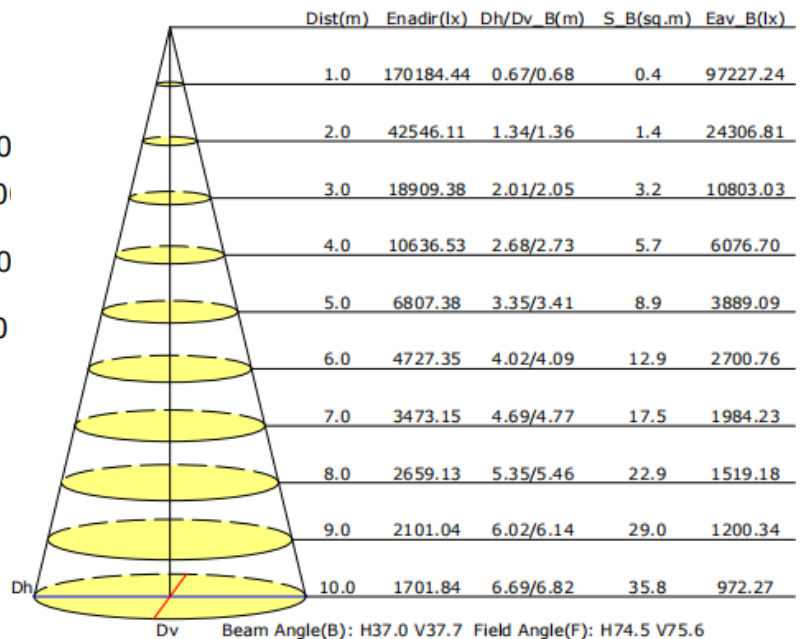


Unit: cd

Average Diffuse Angle(50%): 37.3°

— C0-C180 — C90-C270

Illuminance at a Distance



Product ID: PLVXY8GF4J3F



## RGL-ICONPRO3-750WCS4A1-a[AM;DM;A&DM;FM][G;blank] [10SP;20SP;blank]50

**Manufacturer:** RuggedGrade  
**Brand:** RuggedGrade

### PRODUCT OVERVIEW

<b>Classification</b>	Premium
<b>Primary Use</b>	Architectural Flood and Spot Luminaires
<b>Reported Input Wattage</b>	756.95 W
<b>Reported Light Output</b>	104386 lm
<b>Reported CCT</b>	5000 K
<b>Reported CRI (Ra)</b>	70
<b>Product ID</b>	PLVXY8GF4J3F
<b>DLC Family Code</b>	EMWABF
<b>Listing Status</b>	Listed
<b>Date Qualified</b>	2021-03-12

### PRODUCT INFORMATION

<b>Qualified Product List</b>	Solid State Lighting
<b>Technical Requirements Version</b>	5.1
<b>Product ID</b>	PLVXY8GF4J3F
<b>Manufacturer</b>	RuggedGrade
<b>Brand</b>	RuggedGrade
<b>Model Number</b>	RGL-ICONPRO3-750WCS4A1-a[AM;DM;A&DM;FM][G;blank] [10SP;20SP;blank]50
<b>Parent</b>	No

### PRODUCT CATEGORIZATION

[VIEW DETAILS](#)

### PRODUCT CAPABILITIES

[VIEW DETAILS](#)

### REPORTED PHOTOMETRIC PERFORMANCE

<b>Reported Light Output</b>	100249 lm
<b>Reported Efficacy (AC)</b>	133.01 lm/W
<b>Reported CCT</b>	5000 K
<b>Reported CRI (Ra)</b>	70
<b>Reported R9</b>	-19
<b>Reported IES Rf</b>	74
<b>Reported IES Rg</b>	98
<b>Reported IES Rcs,h1</b>	-14

### REPORTED ELECTRICAL PERFORMANCE

<b>Reported Input Wattage</b>	753.68 W
<b>Reported Total Harmonic Distortion</b>	15 %
<b>Reported Power Factor</b>	0.9
<b>Reported Default Input Wattage</b>	753.68 W
<b>Voltage Range</b>	277-480 V



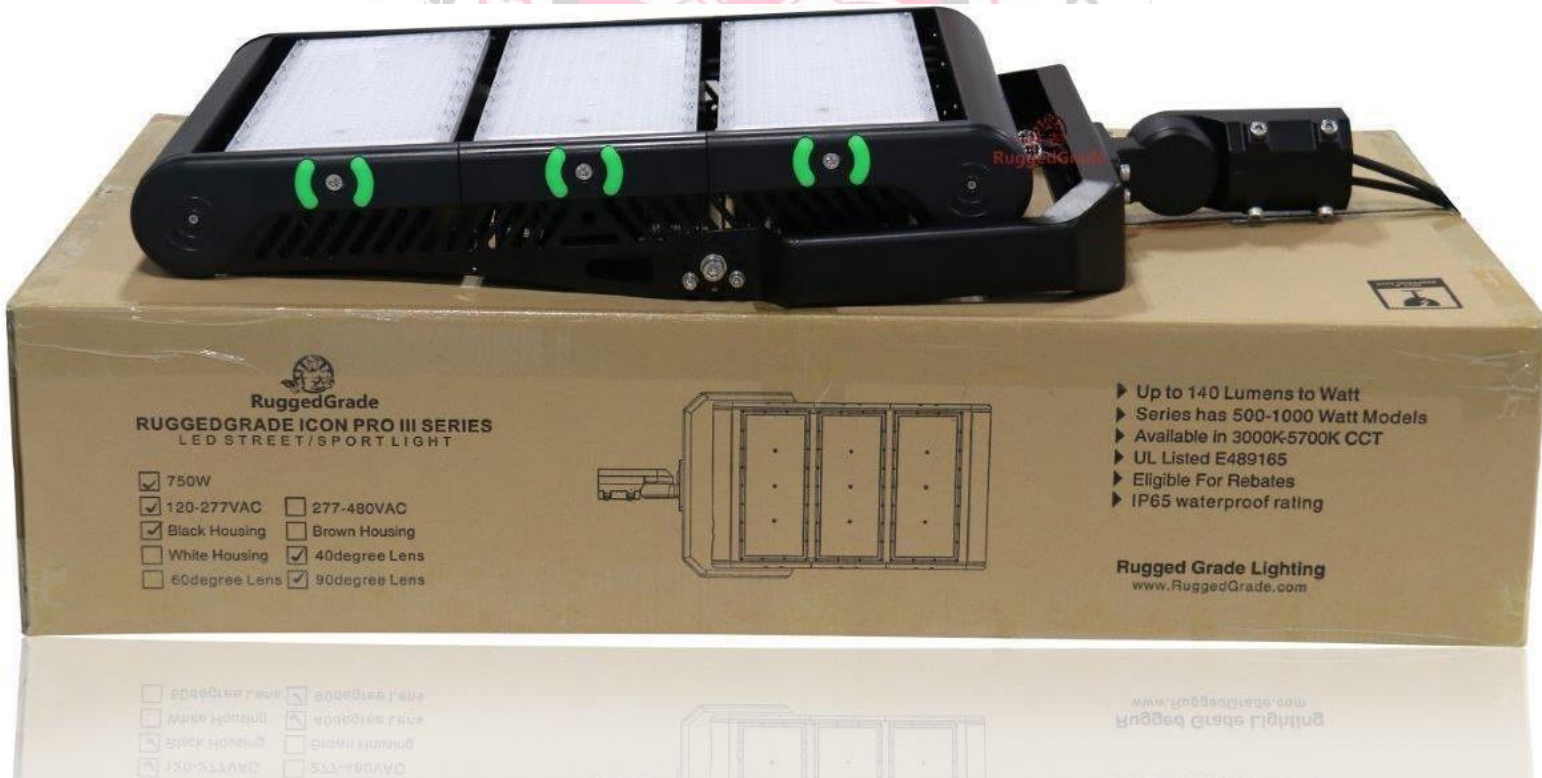
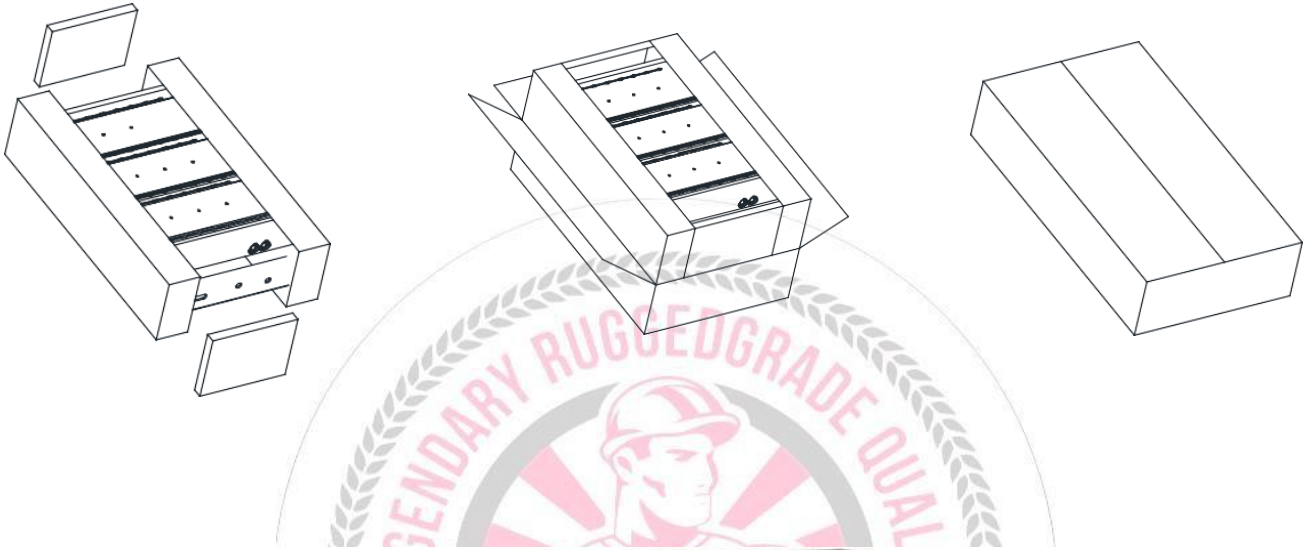
# HV 750W ICON PRO III SERIES | LED SPORT LIGHT



## PRODUCT PACKAGING

Bracket Type	Carton Size	Qty / Carton	Net Weight / Carton	Gross Weight / Carton
AM	1100*542*250MM	1 PC	27 KG	29.5 KG
FM	940*542*250 MM	1 PC	26 KG	28.5 KG

\*Tolerance of Carton Size: ±15 MM, Tolerance of Weight: ±10%.



Rugged Grade Lighting  
 Industrial Grade Solutions



888-953-2476  
[sales@ruggedgrade.com](mailto:sales@ruggedgrade.com)

## PRODUCT WARNINGS

- ⚡ Please turn off power before install or change assembly parts.
- ⚡ The input voltage and lamps should be matched, after connecting the power line.
- ⚡ Please make sure the wiring section is insulated.
- ⚡ Professionals must install and disassemble the lamps.
- ⚡ Surge is the number 1 cause of LED light failure. Outdoor lights must have surge at fixture, pole, and breaker.
- ⚡ Surge is the number 1 cause of LED light failure. Indoor lights must have surge at fixture and breaker.

## PRODUCT TROUBLESHOOTING

Issue	Check points
Light Flickers	Check all wiring for disconnections, shorts and burnt wiring and connections. Confirm steady input voltage to the light fixture, fluctuating input voltage will harm the LED driver and can lead to premature failure. Lights with photocells can have photocell tag from ambient light or light reflecting at the sensor. Simply cover the photocell completely and see if flickering continues while the photocell is covered. Call Tech Support for help if none of the above solves the issue.
Light does not work at all.	Check all wiring for disconnections, shorts and burnt wiring and connections. Confirm steady input voltage to the light fixture, fluctuating input voltage will harm the LED driver and can lead to premature failure. If input voltage is not in the voltage range of the fixture, you will need to find the source of your input voltage issue. Call Tech Support for help if none of the above solves the issue.

For more technical information, install questions, troubleshooting help or warranty claims, we have a dedicated US Tech and Customer Support Team to help solve any issues you have and can be reached by email or phone. If you need help with any of our products, we are here for you so that you are never in the dark!

# BETTER LIGHTS. BETTER SUPPORT.

