



Rugged Grade Lighting  
E-mail: sales@ruggedgrade.com  
www.ruggedgrade.com

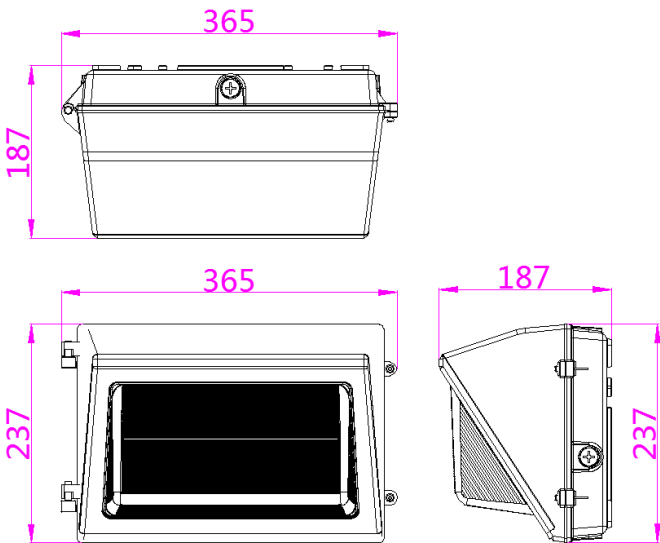


**P/N: RGL-DURADO03-60NXYZA1-abcdefghi**

Note:

- RGL= Rugged Grade Lighting;
- DURADO03 = Product series, LED Semi-Cutoff Wall Pack;
- 60 = Rating Power;
- N= Driver manufacturer;
- X=LED manufacturer;
- Y=Cover type;
- Z=Color select,
- A=InputVoltage; A=120-277VAC
- 1 = Version number;
- “a” can be any two letters to represent lamp colors;
- “b” can be any two letters to represent motion sensor or blank,P=photocell, M=microwave sensor,R=PIR sensor, PM=photocell+microwave sensor, PR=photocell+PIR sensor;
- “c” can be “S” or blank for Surge-Protective Device provided or not;
- “d” can be “W” for Power select or blank ;
- “e” can be any two digits to represent CCT;
- “g” can be “A” for DC sensor driver provided or blank;
- “h” can be “G” for Wire Guard provided or blank;
- “i” can be “L” for Light Shield provided or blank;.

**DIMENSIONS**



**ADVANTAGE**

- IP65 Internal driver, input voltage 120-277VAC
- No UV or IR in the beam;
- Easy to install and operate;
- Energy saving, long lifespan;
- Light is soft and uniform, safe to eyes;
- Instant start, NO flickering, NO humming;
- Green and eco-friendly without mercury.

**APPLICATION**

- Entrance lighting,courtyard lighting;
- Industrial lighting,Outdoor landscape lighting;
- Building,The hotel;
- Wall lighting area and so on.

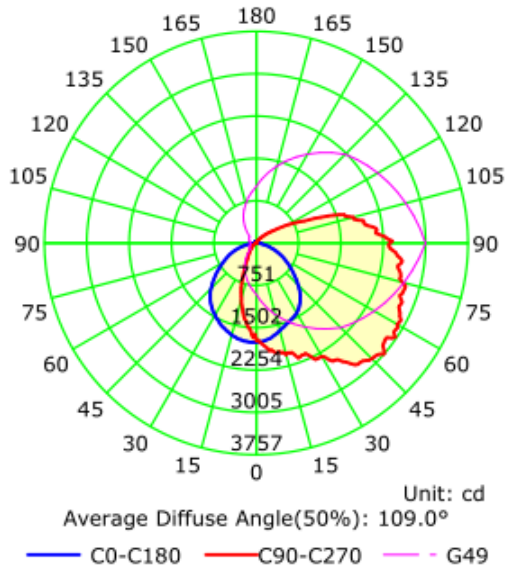
## SPECIFICATIONS

<b>OPTICAL</b>	Input Power	60W
	Lumen	8000-8700LM
	Lumen Efficacy	135-145 LM/W
	Color Temperature	2700K-6500K
	CRI	>80
	Viewing Angle	110 Degree
<b>ELECTRICAL</b>	Input Voltage	120-277VAC, 50/60Hz
	PF	≥0.9
	THD	≤20%
	Driver Model	Rugged Grade Driver
<b>MATERIALS</b>	LED Type	SMD2835 (0.5W)
	LED QTY	225PCS / 225*2 PCS
	Housing	Aluminum(ADC12) +Glass
	Housing Color	Brown,Black,White etc
	Cover	Stripe lens
	Waterproof Rating	WET (IP65)
	Optional Accessory	Surge protector / Motion Sensor /Power selection
<b>OTHERS</b>	Operating Temperature	-40℃ TO 50℃
	Operating Humidity	10%-90% RH
	Storage Temperature	-40℃ TO 80℃
	Storage Humidity	10%-95% RH
	Warranty Time	5 Years

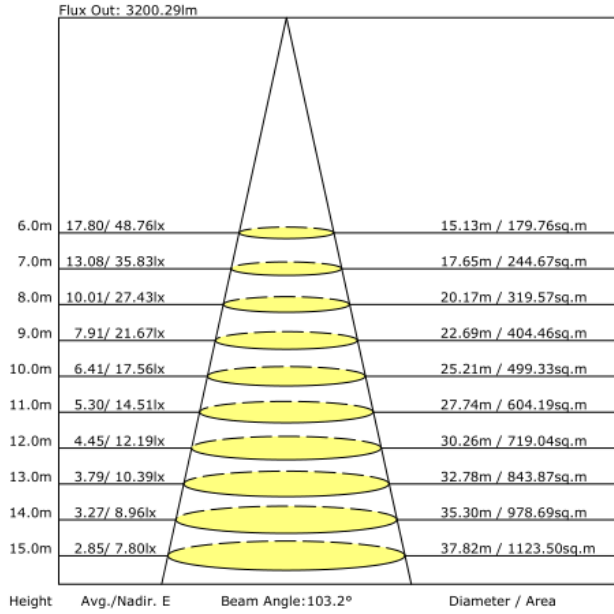


**LIGHT DISTRIBUTION TESTING PARAMETERS**

Luminous Intensity Distribution Curve

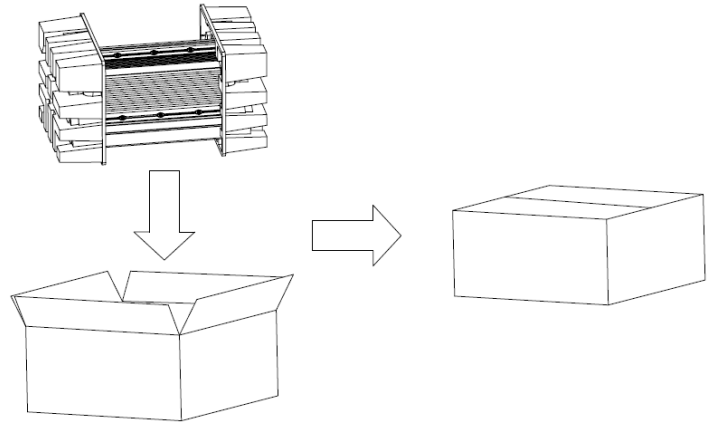


The Average Illuminance Effective Figure



## PACKAGE

	Size	Qty / Carton	Net Weight / Carton	Gross Weight / Carton
Outer box	397*297*250MM	1 PC	3.6KG	4.5KG



## NOTICE FOR USER

- Please turn off power before install or change assembly parts.
- The input voltage and lamps should be matched, after connecting the power line, Please make sure the wiring section is insulated.
- No-professionals, must not install and disassemble the lamps.

## TROUBLE SHOOTINGS

Troubles	Check points
Flickering of the light	Turn off the power and turn on again in 3 minutes. If same phenomena occur, then call agencies.
Out of working	Please check the connection.