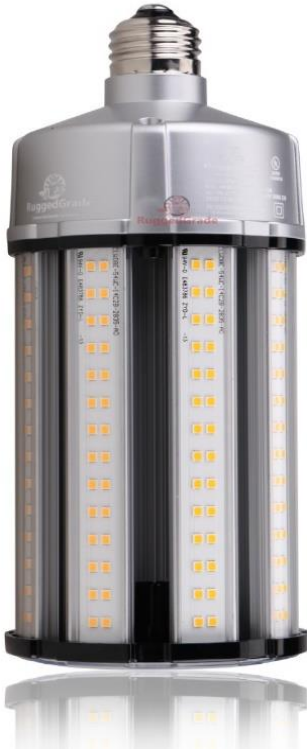


Aries III Series = Smaller, Smarter and Dimmable! Surge Protection Built in with the Best Driver on the Market! High Efficiency 145 Lumen to watt LEDs with over 135 in Fixture Performance - 360 Degrees of Lighting Bulb and Onboard Dimming for the Perfect Brightness



**P/N: RGL- ARIES3-054WXYA1-adcK**

Note:

RGL = Rugged Grade Lighting

ARIES3= Product series, LED Corn Light

054W = Rating Power

X = LED manufacturer, B= LUMILEDS

Y = Cover type, X=C, for Clear cover;

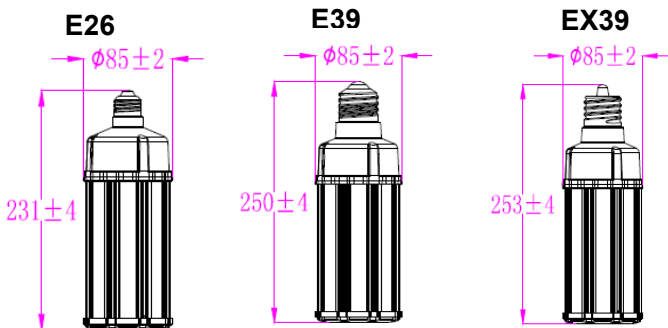
X=F, for Frosted cover

a= represent the lamp base type, can be "E" for E39, "EX" for EX39, BLANK for E26.

d= dimming type: "L" for Continuous dimming and "S" for Segmented dimmer

cK=CAXX, XXcan be two digital. 27K=2700K, 30K=3000K, 35K=3500K,40K=4000K, 50K=5000K, 57K=5700K,65K=6500K.

**DIMENSIONS**



**NOTICE FOR USER**

- ◆ Please turn off power before install or change assembly parts.
- ◆ The input voltage and lamps should be matched, after connecting the power line, Please make sure the wiring section is insulated.
- ◆ Make sure to remove or bypass the ballast in the fixtures before install the lamps.
- ◆ Suitable for damp locations. Do not use with dimmers.
- ◆ Suitable for use in enclosed luminaires, min. lamp compartment dimensions: 340\*200\*200MM.
- ◆ No-professionals, must not install and disassemble the lamps.

**ADVANTAGE**

- UL cUL certificate.
- E26 E39 EX39 lamp base.
- Can be with clear or frosted cover.
- Big heat sink, NO fan.
- Internal driver, input voltage AC100-277V. 0-10V dimming.
- Meet 4KV surge immunity level
- Two dimming options are available, continuous dimming or segmented dimmer
- Long lifespan and good heat dissipation.
- Easy installation.
- Fits many different fixtures to replace traditional lamps.

**APPLICATION**

- Widely used in supermarket, warehouse, garage, home, office, hotel, hospital, school, street, garden etc.



## SPECIFICATIONS

<b>OPTICAL</b>	Input Power (Tolerance : $\pm 10\%$ )	54W		
	Color Temperature (Color Tunable)	3000K	4000K	5000K
	Lumen (Tolerance : -10%)-In Luminaires	6509LM	7286LM	7309LM
	Efficacy (Tolerance : -3%)-In Luminaires	127LM/W	141LM/W	139LM/W
	CRI	>80		
	Color Consistency	7 Steps (or <7 SDCM)		
	Diffuser Type	Clear		
	Beam Angle (50%) (Tolerance : $\pm 25\%$ )	183Degree		
<b>ELECTRICAL</b>	Input Voltage and Frequency	100-277VAC 50/60Hz		
	PF (Tolerance : -3%)	$\geq 0.9$		
	THD (Tolerance : +5%)	$\leq 20\%$		
	Flicker Percent	<50%		
	Driver Surge protection	L-N: 4kV		
	Dimmable	YES		
	Equivalent	120W CFL, 175W MHL/HPS/HID		
<b>MATERIALS</b>	LED Brand	Lumileds		
	LED Type	SMD2835		
	LED QTY	238 pcs of 3000K + 238 pcs of 5000K		
	Housing	PC + Aluminum		
	Housing Color	Any colour		
	Waterproof Rating	IP64		
<b>OTHERS</b>	Operating Temperature	-40°C TO 50°C		
	Storage Temperature	-40°C TO 80°C		
	Operating Humidity	20%-70% RH		
	Storage Humidity	10%-75% RH		
	Warranty	5 years warranty with 24/7 operating hours lamp lifetime at 25°C and in installed fixture.		





**DLC PREMIUM RATED**  
**Tested at 130.04 Lumens to Watt and over 80 CRI**

Model# RGL-ARIES-3-054WBCA1-[E;EX]L50K

Manufacturer: RuggedGrade  
 Brand: RuggedGrade  
 Technical Requirements Version: 5.1  
 Date Qualified: 04/14/2021  
 Product ID: PLX5PG973KOO

**Categorization**

Main: Mogul (E39) Screw-Base Replacements for HID Lamps  
 General Application: Mid Output  
 Primary Use: Replacement Lamps for Outdoor Pole/Arm-mounted Decorative  
 Luminaires (Type B)  
 System Type: AC

Classification: Standard  
 Is Parent Product: No  
 DLC Family Code: EMWABQ  
 Listing Status: Listed

[View  
Notes](#)

- Reported Data **i**
- Control Features
- Distribution and Glare
- Version History
- Family Data

Light Output: **i** 6756.4 lm  
 Default Light Output: **i** 6756.4 lm  
 Wattage: **i** 51.96 W  
 Default Wattage: **i** 51.96 W  
 Voltage Range: **i** 100 - 277 V  
 Efficacy (AC): **i** 130.04 lm/W  
 Power Factor: **i** 0.9  
 CCT: **i** 5000 K  
 CRI (Ra): 80  
 R9: 3  
 IES Rf: 84  
 IES Rg: 95  
 IES Rcs,h1: -12 %  
 Total Harmonic Distortion: **i** 15 %



**LIGHT DISTRIBUTION TESTING PARAMETERS**

Remark: The testing data comes directly from the product test. < PC Clear >

**Luminaire Property**

Luminaire Manufacturer:  
Voltage: 120.8 V  
Power: 54.62 W

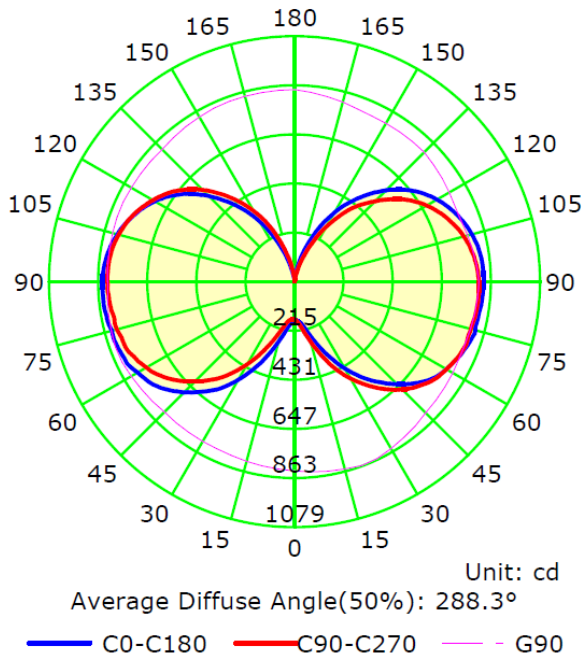
Current: 0.458 A  
Power Factor: 0.986

**Photometric Results**

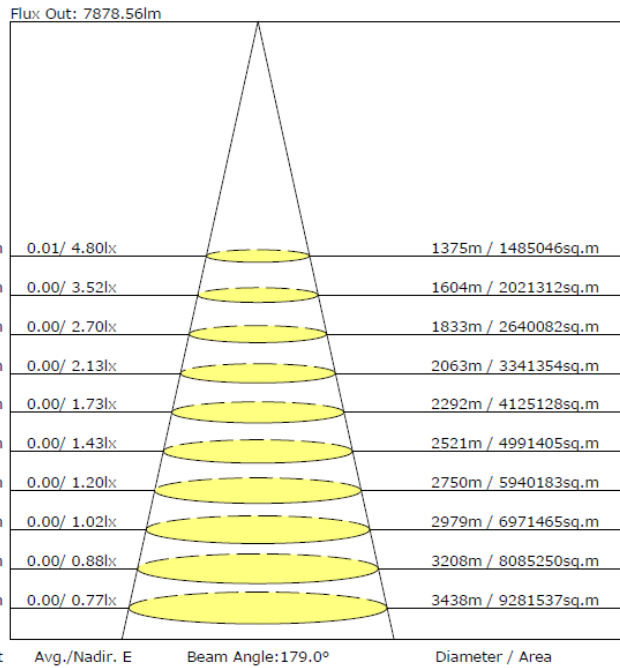
CIE Class: General Diffuse  
Measurement Flux: 8154.2 lm  
Downward Ratio: 53%  
Horizontal Diffuse Angle(50%): H288.5  
Vertical Diffuse Angle(50%): V288.9  
Luminaire Efficacy Rating (LER): 149.34  
Max. Intensity: 863.68 cd  
S/MH(C0/C180): 3.68

Total Rated Lamp Lumens: 8154.2 lm  
Efficiency: 100%  
Upward Ratio: 47%  
Central Intensity: 172.66 cd  
Pos of Max. Intensity: H22.5 V90  
S/MH(C90/C270): 3.69

Luminous Intensity Distribution Curve

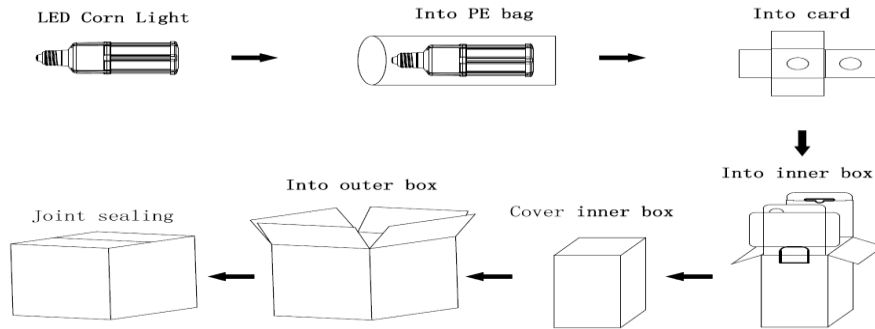


The Average Illuminance Effective Figure



**PACKAGE**

	Size	Qty / Carton	Net Weight / Carton	Gross Weight / Carton
Inner box	90*90*285MM	1 PC	0.65KG	0.85 KG
Outer box	380*290*305MM	12 PCS	7.8 KG	11.2 KG



**NOTICE FOR USER**

- Please turn off power before install or change assembly parts.
- The input voltage and lamps should be matched, after connecting the power line, Please make sure the wiring section is insulated.
- No-professionals, must not install and disassemble the lamps.

**TROUBLE SHOOTINGS**

Issue	Check points
Light Flickers	Check all wiring for disconnections, shorts and burnt wiring and connections. Confirm steady input voltage to the light fixture, fluctuating input voltage will harm the LED driver and can lead to premature failure. Lights with photocells can have photocell tag from ambient light or light reflecting back at the sensor. Simply cover the photocell completely and see if flickering continues while the photocell is covered. Call Tech Support for help if none of the above solves the issue.
Light does not work at all.	Check all wiring for disconnections, shorts and burnt wiring and connections. Confirm steady input voltage to the light fixture, fluctuating input voltage will harm the LED driver and can lead to premature failure. If input voltage is not in the voltage range of the fixture, you will need to find the source of your input voltage issue. Call Tech Support for help if none of the above solves the issue.

**For more technical information, install questions, troubleshooting help or warranty claims, we have a dedicated US Tech and Customer Support Team to help solve any issues you have and can be reached by email or phone. If you need help with any of our products, we are here for you so that you are never in the dark!**



**BETTER LIGHTS.  
BETTER SUPPORT.**

**DLC CERTIFIED** **UL LISTED**

**LEGENDARY RUGGEDGRADE QUALITY**  
**LEGENDARY USA SUPPORT**

**US based phone and online customer support**

**ROCK SOLID 5 YEARS WARRANTY**

