

500W ICON PRO III SERIES | LED SPORT LIGHT



PRODUCT DESCRIPTION

THE BEST IN SPORT AND AREA LIGHTING GETS BETTER. ICON PRO III HAS A DUAL SLIP-FIT AND FLOOD BRACKET MOUNT, INDIVIDUALLY ROTATING PANELS FOR PRECISE LIGHT PLACEMENT, EASILY CHANGED LENSES FOR PERFECT ANGLES, COMBINED WITH 140+ LUMENS TO WATT AND DLC 5.1 CERTIFICATION



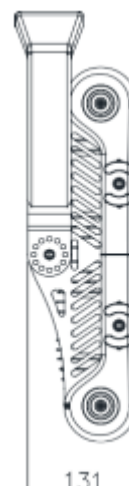
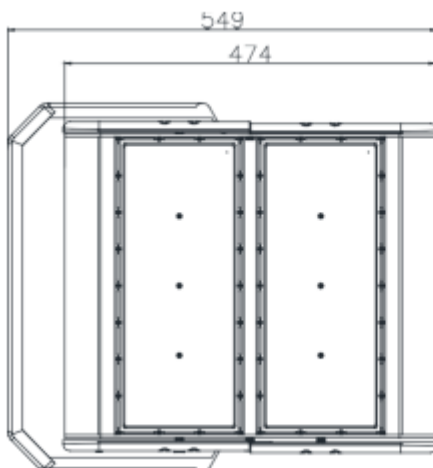
DLC #: RGL-ICONPRO3-500W

PRODUCT FEATURES & COMMON USE APPLICATIONS

- UL cUL certificate.
- Input voltage 277-480VAC.
- No UV or IR in the beam.
- Easy to install and operate.
- Energy saving, long lifespan.
- Light is soft and uniform, safe to eyes.
- Instant start, NO flickering, NO humming.
- Green and eco-friendly without mercury.
- Gymnasium
- Square plaza;
- Shipyard, Airport ,wharf;
- High mast and Contour lighting, etc.



PRODUCT DIMENSIONS



LEGENDARY USA SUPPORT

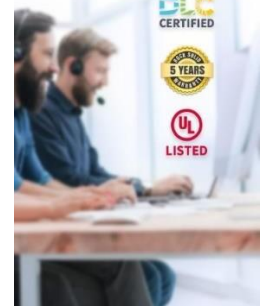


US based
phone and online
customer support

DLC
CERTIFIED

5 YEARS
WARRANTY

UL
LISTED



888-953-2476

sales@ruggedgrade.com

PRODUCT TECHNICAL SPECIFICATIONS

OPTICAL	Input Power (Tolerance: ±10%)	500W
	Color Temperature	5000K
	Lumen (Tolerance: -10%)	75000LM
	Efficacy (Tolerance: -3%)	140-150LM/W
	CRI	>70
	Color Consistency	<6 Steps (or <6 SDCM)
	BUG	B5-U0-G3
	Distribution Pattern	V
Beam Angle (50%) (Tolerance: ±15%)	90°Lens Installed, 40°Lens Included in Box. 60°Available, Call for Order	
ELECTRICAL	Input Voltage and Frequency	277-480VAC, 50/60Hz
	PF (Tolerance : -3%)	≥0.9
	THD (Tolerance : +5%)	≤20%
	Flicker Percent	<5%
	Driver Brand	SOSEN
	Driver Model	SS-240VA-56B*2
	Driver Surge protection	L/N-PE: 10kV, L-N: 6kV
	Dimming	1-10V dimming standard
	Optional Accessory	Surge-protective Device
MATERIALS	LED Brand	Seoul
	LED Type	SMD3030
	LED QTY	576 PCS
	Housing	Aluminum
	Housing Color	Black
	EPA	2.0 ft ²
	Waterproof Rating	WET (IP65)
OTHERS	Operating Temperature	40 °C TO 45°C
	Storage Temperature	-40°C TO 80°C
	Operating Humidity	20% - 90% RH
	Storage Humidity	10% - 95% RH
	Warranty	5 years warranty with 24/7 operating hours Luminaire lifetime at 25°C

PRODUCT MOUNTS & ACCESSORIES



AM



DM



ADM



PRODUCT IMAGES & ACTUAL INSTALLATIONS



DLC PRODUCT SPEC

Product ID: PLKBRNCBHVMS



**RGL-ICONPRO3-500WCS4A1-a[AM;DM;A&DM;FM][G;blank]
[10SP;20SP;blank]50**

Manufacturer: RuggedGrade
Brand: RuggedGrade

PRODUCT OVERVIEW

Model Number	RGL-ICONPRO3-500WCS4A1-a[AM;DM;A&DM;FM][G;blank][10SP;20SP;blank]50
Classification	Premium
Primary Use	Outdoor Pole/Arm-Mounted Area and Roadway Luminaires
Reported Input Wattage	497.84 W
Reported Light Output	68826.2 lm
Reported CCT	5000 K
Reported CRI (Ra)	70
Product ID	PLKBRNCBHVMS
DLC Family Code	EMWABF
Listing Status	Listed
Date Qualified	2021-03-12

PRODUCT INFORMATION

Qualified Product List	Solid State Lighting
Technical Requirements Version	5.1
Product ID	PLKBRNCBHVMS
Manufacturer	RuggedGrade
Brand	RuggedGrade
Model Number	RGL-ICONPRO3-500WCS4A1-a[AM;DM;A&DM;FM][G;blank][10SP;20SP;blank]50
Parent	No

PRODUCT CATEGORIZATION

[VIEW DETAILS](#)

CONTROL FEATURES

[VIEW DETAILS](#)

REPORTED PHOTOMETRIC PERFORMANCE

Reported Light Output	68826.2 lm
Reported Efficacy (AC)	138.25 lm/W
Reported CCT	5000 K
Reported CRI (Ra)	70
Reported R9	-19
Reported IES Rf	74
Reported IES Rg	98
Reported IES Rcs,h1	-14

REPORTED ELECTRICAL PERFORMANCE

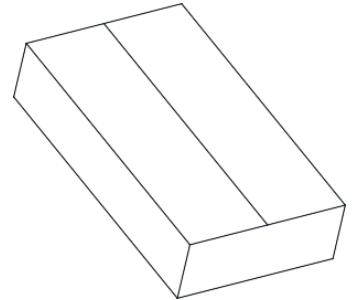
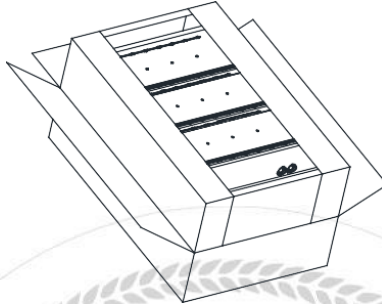
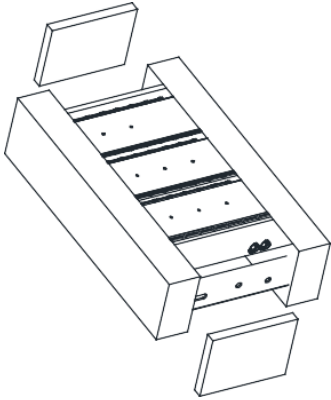
Reported Input Wattage	497.84 W
Reported Total Harmonic Distortion	15 %
Reported Power Factor	0.9
Reported Default Input Wattage	497.84 W



PRODUCT PACKAGING

Bracket Type	Carton Size	Qty / Carton	Net Weight / Carton	Gross Weight / Carton
AM	549*421*131 mm	1 PC	17 KG	18.8 KG
FM	549*421*131 mm	1 PC	17 KG	18.8 KG

Tolerance of Carton Size: ± 15 MM, Tolerance of Weight: $\pm 10\%$



PRODUCT WARNINGS

Please turn off power before install or change assembly parts.

The input voltage and lamps should be matched, after connecting the power line.

Please make sure the wiring section is insulated.

⚡ Professionals must install and disassemble the lamps.

Surge is the number 1 cause of LED light failure. Outdoor lights must have surge at fixture, pole, and breaker.

Surge is the number 1 cause of LED light failure. Indoor lights must have surge at fixture and breaker.

Issue	Check points
Light Flickers	Check all wiring for disconnections, shorts and burnt wiring and connections. Confirm steady input voltage to the light fixture, fluctuating input voltage will harm the LED driver and can lead to premature failure. Lights with photocells can have photocell tag from ambient light or light reflecting at the sensor. Simply cover the photocell completely and see if flickering continues while the photocell is covered. Call Tech Support for help if none of the above solves the issue.
Light does not work at all.	Check all wiring for disconnections, shorts and burnt wiring and connections. Confirm steady input voltage to the light fixture, fluctuating input voltage will harm the LED driver and can lead to premature failure. If input voltage is not in the voltage range of the fixture, you will need to find the source of your input voltage issue. Call Tech Support for help if none of the above solves the issue.

For more technical information, install questions, troubleshooting help or warranty claims, we have a dedicated US Tech and Customer Support Team to help solve any issues you have and can be reached by email or phone. If you need help with any of our products, we are here for you so that you are never in the dark!

BETTER LIGHTS. BETTER SUPPORT.

