



Mounts;
AM
DM
YM
A&D
FM



NextGen II Series LED Shoebox Light

P/N: RG-NextGen-2-S-G07-450WCT3B1-abcdef

The letter "a" can be 2 letters represent lamp colors;

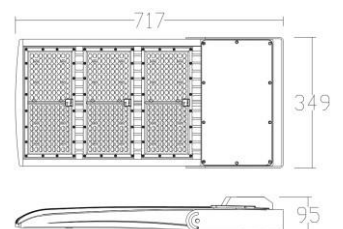
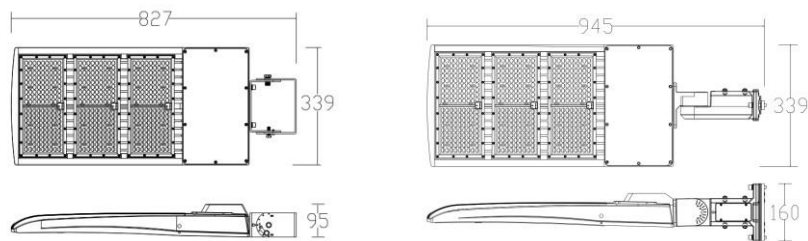
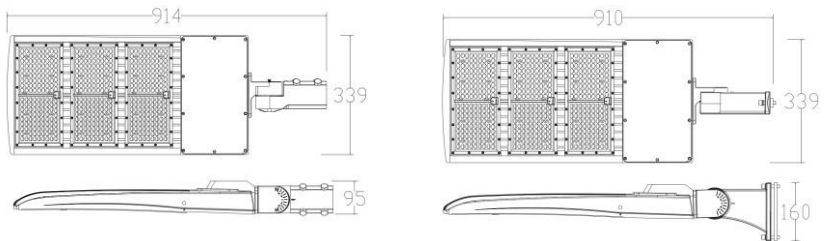
The letter "b" can be "P" or blank to represent Photocell or None Photocell;

The letter "c" can be "S" or blank to represent Surge protector or None Surge protector; The letter "d" can be "M" or None, represent Motion sensor or None Motion sensor.

The letter "e" can be "AM", "DM", "YM", "FM", "A&D" represent bracket type.

The letter "f" can be any two-digit number to represent CCT.

DIMENSIONS



ADVANTAGE

- UL certificate.
- Seoul Chip, high CRI
- Mean Well HLG input voltage 100-277VAC.
- IP65 Waterproof
- 1-10v Dimmable
- Easy to install and operate
- Energy saving, Long lifespan
- Light is soft and uniform, Safe to eyes
- Instant start, NO flickering, NO humming
- Green and eco-friendly without mercury.

APPLICATION

- Factory floor, libraries, square, park;
- Supermarkets, railway stations, exhibition hall;
- Convention and exhibition center, warehouse;
- Advertising lighting, etc

SPECIFICATIONS

OPTICAL	Input Power	450W
	Lumen	56000-62750LM
	Lumen Efficacy	125-135LM/W
	Color Temperature	4000K, 4500K, 5000K, 5700K
	CRI	>70
	Viewing Angle	150*85 Degree (Type III)
ELECTRICAL	Input Voltage	100-277Vac 50/60Hz
	PF	≥0.9
	THD	≤20%
	Driver Model	Meanwell HLG-240H-48B * 2PCS (2 driver light)
	Optional Accessory	Photocell Surge protector Motion sensor
MATERIALS	LED Brand	SEOUL
	LED Type	SMD3030
	LED QTY	462 PCS
	Housing	Aluminum
	Housing Color	Black / Brown/white/Customized
	Waterproof Rating	WET (IP65)
OTHERS	Operating Temperature	-40°C TO 45°C
	Operating Humidity	10%-90% RH
	Storage Temperature	-40°C TO 80°C
	Storage Humidity	10%-95% RH
	Warranty Time	5 Years



DLC Premium Listed
QPL PRODUCT ID: PLIKCKIR8RRE

Model# RG-NextGen-2-S-G07-450WCT3B1-a[P;Blank][S;Blank][M;Blank]e50 [Qual
 Straight Down]

Manufacturer: RuggedGrade
Brand: RuggedGrade
Technical Requirements Version: 4.4
Date Qualified: 11/29/2018
Product ID: PLIKCKIR8RRE

Categorization

Main: Outdoor Luminaires	Classification: Premium
General Application: Very High Output	Is Parent Product: No
Primary Use: Outdoor Pole/Arm-Mounted Area and Roadway Luminaires	DLC Family Code: JJNVH
System Type: AC	Listing Status: Listed

Reported Data

Zonal Lumens

Spacing Criteria

Product Features

Version History

Light Output: 55443.6 lm
Wattage: 435.49 W
Efficacy (AC): 127.31 lm/W
Power Factor: 0.9
CCT: 5000 K
CRI: 70
Total Harmonic Distortion: 15 %



LIGHT DISTRIBUTION TESTING PARAMETERS

Luminaire Property

Luminaire Manufacturer:
 Voltage: 120.1 V
 Power: 446.39 W

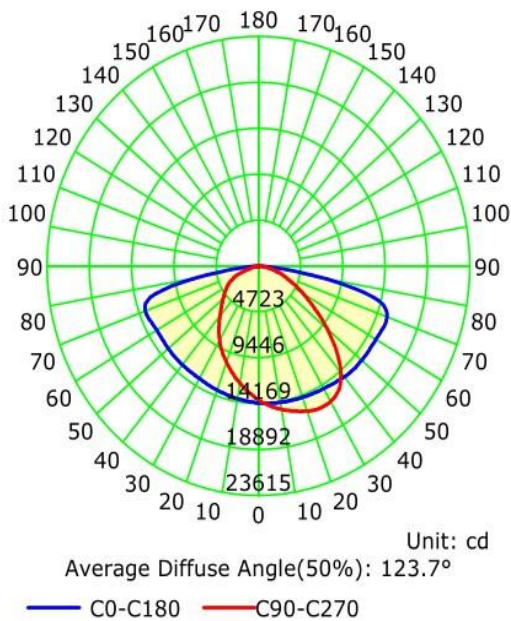
Current: 3.739 A
 Power Factor: 0.994

Photometric Results

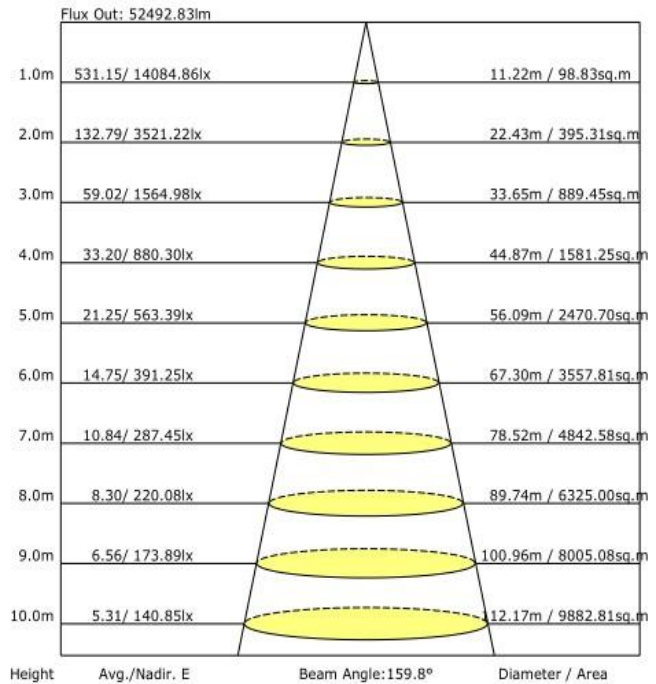
IES Classification: Type III
 Total Rated Lamp Lumens: 54263.0 lm
 Efficiency: 100%
 Upward Ratio: 1%
 Central Intensity: 14084.86 cd
 Pos of Max. Intensity: H15 V72

Longitudinal Classification: Medium
 Measurement Flux: 54263 lm
 Downward Ratio: 99%
 Luminaire Efficacy Rating (LER): 121.61
 Max. Intensity: 18892.35 cd

Luminous Intensity Distribution Curve

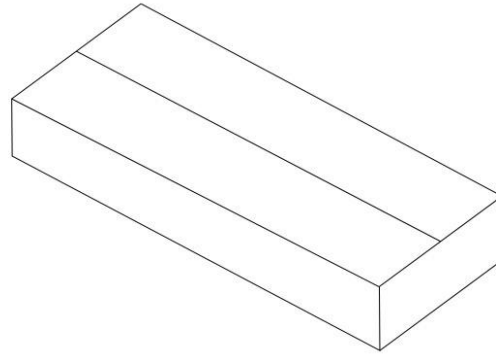
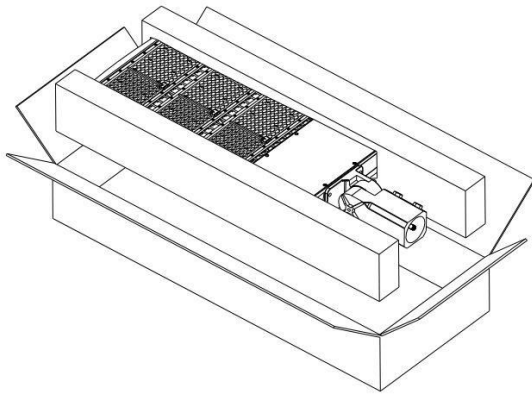


The Average Illuminance Effective Figure



Package

Stent Type	Lamps Net Weight	Size	Qty/ Carton	t/ Carton
AM	11.5 KG	1015x 395 x 165mm	1	12.7KG
DM	12KG	1015 x 395 x 165mm	1	13.2 KG
YM	11.2KG	1015 x 395 x 165mm	1	12.4KG
A&D	12.3KG	1015 x 395 x 165mm	1	12.5KG
FM	12.5KG	1015 x 395 x 165mm	1	12.7KG



Notice For User

- ⚡ Please turn off power before install or change assembly parts.
- ⚡ The input voltage and lamps should be matched, after connecting the power line, Please make sure the wiring section is insulated.
- ⚡ No-professionals, must not install and disassemble the lamps.

Trouble Shootings

Troubles	Check points
Flickering of the light	Turn off the power and turn on again in 3 minutes. If same phenomena occur, then call agencies
Out of working	Please check the connection