

Aries III Series = Smaller, Smarter and Dimmable! Surge Protection Built in with the Best Driver on the Market! High Efficiency 145 Lumen to watt LEDs with over 135 in Fixture Performance - 360 Degrees of Lighting Bulb and Onboard Dimming for the Perfect Brightness



**P/N: RGL- ARIES3-036WXYA1-adcK**

Note:

RGL = Rugged Grade Lighting

ARIES3= Product series, LED Corn Light

036W = Rating Power

X = LED manufacturer

Y = Cover type, X=C, for Clear cover;

X=F, for Frosted cover

a= represent the lamp base type, can be "E" for E39,

"EX" for EX39, BLANK for E26.

d= dimming type: "L" for Continuous dimming and "S

" for Segmented dimmer

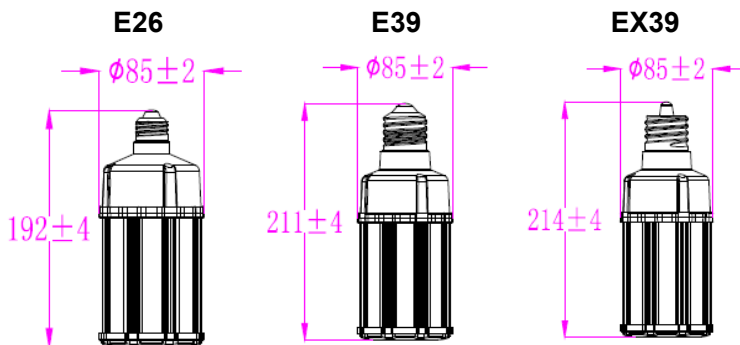
cK=CAXX, XXcan be two digits. 27K=2700K,

30K=3000K, 35K=3500K,40K=4000K, 50K=5000K,

57K=5700K,65K=6500K.



**DIMENSIONS**



**ADVANTAGE**

- UL cUL certificate.
- E26 E39 EX39 lamp base.
- Can be with clear or frosted cover.
- Big heat sink, NO fan.
- Internal driver, input voltage AC100-277V. 0-10V dimming.
- Meet 4KV surge immunity level
- Two dimming options are available, continuous dimming or segmented dimmer
- Long lifespan and good heat dissipation.
- Easy installation.
- Fits many different fixtures to replace traditional lamps.

**NOTICE FOR USER**

- ◆ Please turn off power before install or change assembly parts.
- ◆ The input voltage and lamps should be matched, after connecting the power line, Please make sure the wiring section is insulated.
- ◆ Make sure to remove or bypass the ballast in the fixtures before install the lamps.
- ◆ Suitable for damp locations. Do not use with dimmers.
- ◆ Suitable for use in enclosed luminaires, min. lamp compartment dimensions: 340\*200\*200MM.
- ◆ No-professionals, must not install and disassemble the lamps.

**APPLICATION**

- Widely used in supermarket, warehouse, garage, home, office, hotel, hospital, school, street, garden etc.



## SPECIFICATIONS

<b>OPTICAL</b>	Input Power (Tolerance : ±10%)	36W			
	Color Temperature	2700K	3000K	3500K	4000-6500K
	Lumen (Tolerance : -10%)-In Luminaires	4680LM	5040LM	5112LM	5400LM
	Efficacy (Tolerance : -3%)-In Luminaires	130LM/W	140LM/W	142LM/W	150LM/W
	CRI	>80			
	Color Consistency	6 Steps (or <6 SDCM)			
	Diffuser Type	Clear (Optional :Frosted)			
	Viewing Angle	280 Degree			
<b>ELECTRICAL</b>	Input Voltage	100-277VAC 50/60Hz			
	PF	≥0.9			
	THD	≤20%			
	Flicker Percent	<30%			
	Driver Surge protection	L-N: 4kV			
	Dimmable	YES			
	Equivalent	80W CFL, 150W MHL/HPS/HID			
<b>MATERIALS</b>	LED Brand	Lumileds			
	LED Type	SMD2835			
	LED QTY	144 pcs			
	Housing	PC + Aluminum			
	Housing Color	Any colour			
	Waterproof Rating	IP64			
<b>OTHERS</b>	Operating Temperature	-40°C TO 50°C			
	Operating Humidity	20%-70% RH			
	Storage Temperature	-40°C TO 80°C			
	Storage Humidity	10%-75% RH			
	Warranty Time	5 years warranty with 24/7 operating hours lamp lifetime at 25°C and in installed fixture.			



**DLC PREMIUM RATED**  
**Tested at 113.96 Lumens to Watt and over 80 CRI**

Model# RGL-ARIES-S-CLW-VII-036WECA1-[E;EX]P50K



Manufacturer: RuggedGrade  
 Brand: RuggedGrade  
 Technical Requirements Version: 5  
 Date Qualified: 03/05/2020  
 Product ID: PLISRYKKHA00

**Categorization**

Main: Mogul (E39) Screw-Base Replacements for HID Lamps  
 General Application: Low Output  
 Primary Use: Replacement Lamps for Outdoor Pole/Arm-mounted Decorative  
 Luminares (Type B)  
 System Type: AC

Classification: Standard  
 Is Parent Product: No  
 DLC Family Code: MMMSHY  
 Listing Status: Listed

[View  
Notes](#)

- Reported Data **i**
- Control Features
- Version History
- Family Data

Light Output: **i** 4090.7 lm  
 Wattage: **i** 35.9 W  
 Voltage Range: **i** 100 - 277 V  
 Efficacy (AC): **i** 113.96 lm/W  
 Power Factor: **i** 0.9  
 CCT: **i** 5000 K  
 CRI (Ra): 80  
 Total Harmonic Distortion: **i** 15 %



**LIGHT DISTRIBUTION TESTING PARAMETERS**

Remark: The testing data comes directly from the product test. < PC Clear >

**Luminaire Property**

Luminaire Manufacturer:

Voltage: 121.0 V

Power: 37.12 W

Current: 0.311 A

Power Factor: 0.985

**Photometric Results**

CIE Class: General Diffuse

Measurement Flux: 5673.5 lm

Downward Ratio: 54%

Horizontal Diffuse Angle(50%): H289.1

Vertical Diffuse Angle(50%): V288.2

Luminaire Efficacy Rating (LER): 152.89

Max. Intensity: 627.8 cd

S/MH(C0/C180): 2.79

Total Rated Lamp Lumens: 5673.5 lm

Efficiency: 100%

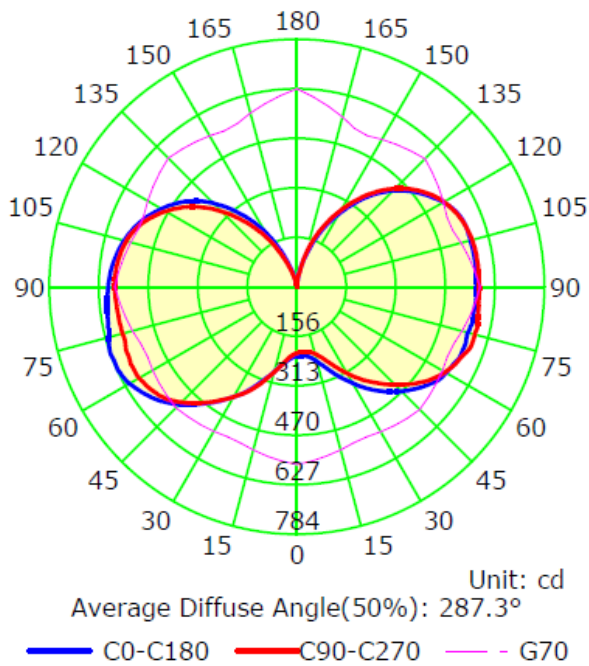
Upward Ratio: 46%

Central Intensity: 219.54 cd

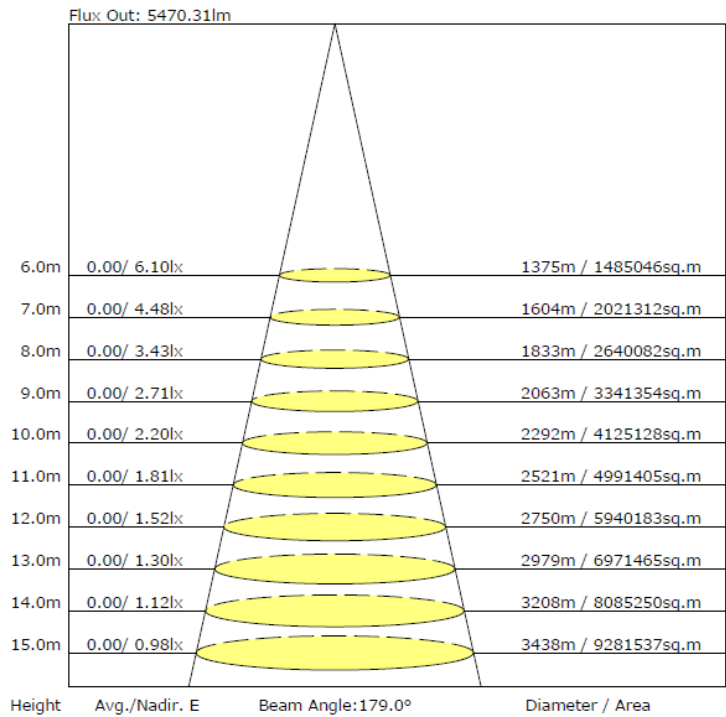
Pos of Max. Intensity: H180 V70

S/MH(C90/C270): 2.81

Luminous Intensity Distribution Curve

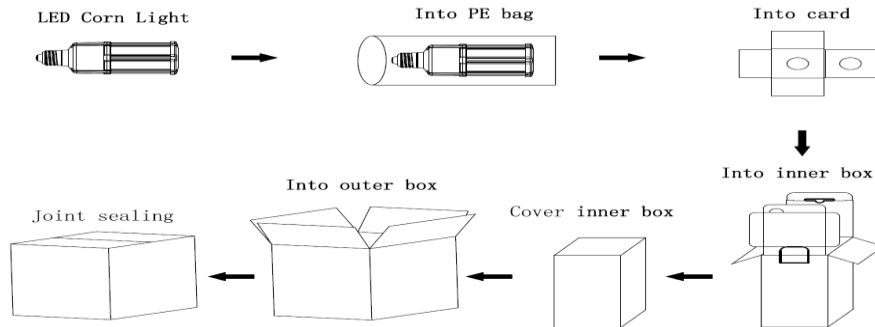


The Average Illuminance Effective Figure



**PACKAGE**

	Size	Qty / Carton	Net Weight / Carton	Gross Weight / Carton
Inner box	90*90*245MM	1 PC	0.56 KG	0.71 KG
Outer box	380*290*265MM	12 PCS	6.8 KG	9.5 KG



**NOTICE FOR USER**

- Please turn off power before install or change assembly parts.
- The input voltage and lamps should be matched, after connecting the power line, Please make sure the wiring section is insulated.
- No-professionals, must not install and disassemble the lamps.



**TROUBLE SHOOTINGS**

Issue	Check points
Light Flickers	Check all wiring for disconnections, shorts and burnt wiring and connections. Confirm steady input voltage to the light fixture, fluctuating input voltage will harm the LED driver and can lead to premature failure. Lights with photocells can have photocell tag from ambient light or light reflecting back at the sensor. Simply cover the photocell completely and see if flickering continues while the photocell is covered. Call Tech Support for help if none of the above solves the issue.
Light does not work at all.	Check all wiring for disconnections, shorts and burnt wiring and connections. Confirm steady input voltage to the light fixture, fluctuating input voltage will harm the LED driver and can lead to premature failure. If input voltage is not in the voltage range of the fixture, you will need to find the source of your input voltage issue. Call Tech Support for help if none of the above solves the issue.

**For more technical information, install questions, troubleshooting help or warranty claims, we have a dedicated US Tech and Customer Support Team to help solve any issues you have and can be reached by email or phone. If you need help with any of our products, we are here for you so that you are never in the dark!**



**BETTER LIGHTS.  
BETTER SUPPORT.**

**DLC CERTIFIED** **UL LISTED**

**LEGENDARY RUGGEDGRADE QUALITY**  
**LEGENDARY USA SUPPORT**

**US based phone and online customer support**

**ROCK SOLID 5 YEARS WARRANTY**

