



LED Linear High Bay Light



P/N: RG-LHB-3-300WRAP1C1-abd



DIMENSIONS

Note:
 RG= Company name
 LHB-3= Product series, LED Linear High Bay Light
 300W = Rating Power
 R= For marketing purposes
 A = LED manufacturer, SMD 2835
 P1= (Class P Driver) C1 = Version number a = Housing colors, WH=White b= Sensor, MS or PS or Blank(Motion sensor or PIR sensor)
 d= CCT(40=4000K,50=5000K,57=5700K)

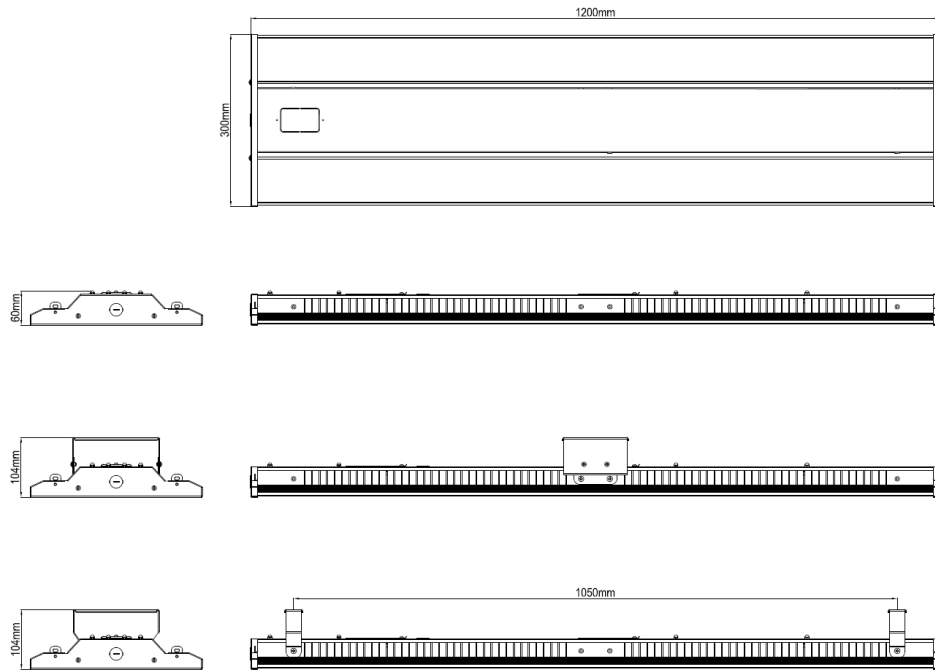
ADVANTAGE

- UL certificate.
- Input voltage 100-277VAC. ○ No UV or IR in the beam.
- Easy to install and operate.
- Energy saving, long lifespan.
- Light is soft and uniform, safe to eyes.
- Instant start, NO flickering, NO humming. ○ Green and eco-friendly without mercury.
- Output constant current lever can be adjusted through output cable with 1-10V.

*The product can not be connected to a dimming device when it's equipped with Motion Sensor.

APPLICATION

- Warehouse, factory and workshops;
- Exhibition hall and supermarkets, etc.



SPECIFICATIONS

OPTICAL	Input Power	300W
	Lumen	38000-42000 LM
	Lumen Efficacy	138-146LM/W
	Color Temperature	2700K~6500K
	CRI	>82
	Viewing Angle	120 Degree
ELECTRICAL	Input Voltage	200-480VAC 50/60Hz
	PF	≥0.9
	THD	≤20%
	Driver Model	RuggedGrade Brand 0-10V dimmable Driver
	Optional Accessory	Cover, Wire Guard
MATERIALS	LED Brand	EPISTAR
	LED Type	SMD2835 (0.5W)
	LED QTY	840 PCS
	Housing	Aluminum Alloy
	Housing Color	White
	Waterproof Rating	DAMP
OTHERS	Operating Temperature	-20°C TO 50°C
	Operating Humidity	20%-90% RH
	Storage Temperature	-30°C TO 80°C
	Storage Humidity	10%-95% RH
	Warranty Time	5 Years

DLC Premium 4.4 Listed

Model# RG-LHB-3-300WSACA1-a[MS;PS;Blank]50[Mounting Type A, Type B, Type C, Type D]

Manufacturer: RuggedGrade
Brand: RuggedGrade
Technical Requirements Version: 4.4
Date Qualified: 11/29/2018
Product ID: PLOYFXFUFW40

Categorization

Main: Indoor Luminaires	Classification: Premium
General Application: High-Bay	Is Parent Product: No
Primary Use: High-Bay Luminaires for Commercial and Industrial Buildings	DLC Family Code: JJJNVL
System Type: AC	Listing Status: Listed

Reported Data

Zonal Lumens

Spacing Criteria

Product Features

Version History

Family Data

Light Output: 40460.2 lm
Wattage: 294.47 W
Efficacy (AC): 137.4 lm/W
Power Factor: 0.9
CCT: 5000 K
CRI: 80
Total Harmonic Distortion: 15 %

Junction Box on Rear for Easy Install

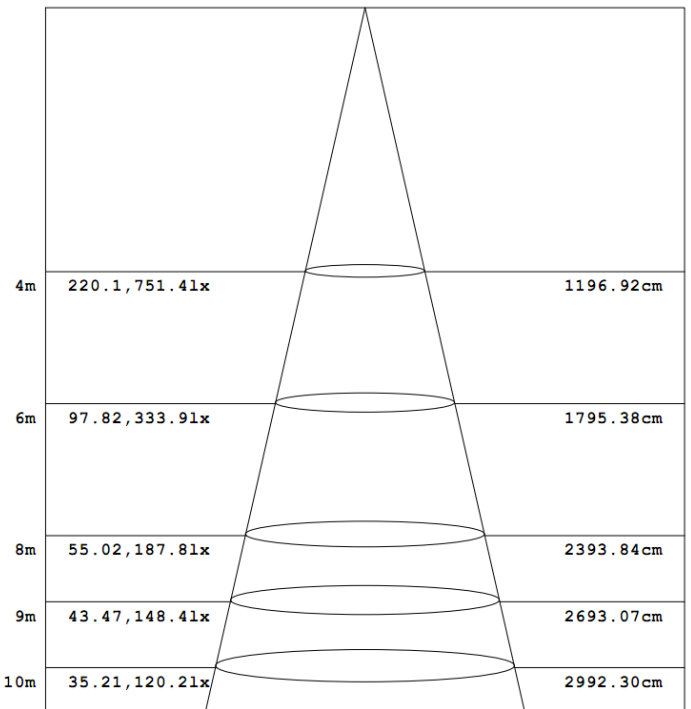
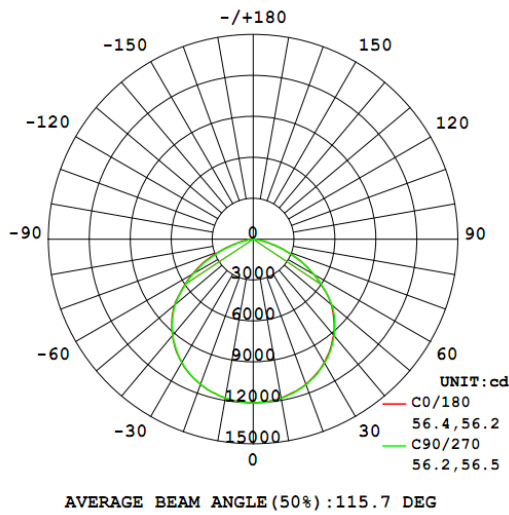


LIGHT DISTRIBUTION TESTING PARAMETERS

DATA OF LAMP		PHOTOMETRIC DATA			
MODEL		Imax (cd)	11987	S/MH (C0/180)	1.30
NOMINAL POWER (W)	300	LOR (%)	100.0	S/MH (C90/270)	1.30
RATED VOLTAGE (V)	277	TOTAL FLUX (lm)	34433	η UP, DN (C0-180)	0.2, 50.0
NOMINAL FLUX (lm)	34433	CIE CLASS	DIRECT	η UP, DN (C180-360)	0.1, 49.7
LAMPS INSIDE	1	η up (%)	0	CIBSE SHR NOM	1.25
TEST VOLTAGE (V)	277	η down (%)	100.0	CIBSE SHR MAX	1.35

Flux out: 26232 lm

LUMINOUS INTENSITY DISTRIBUTION DIAGRAM

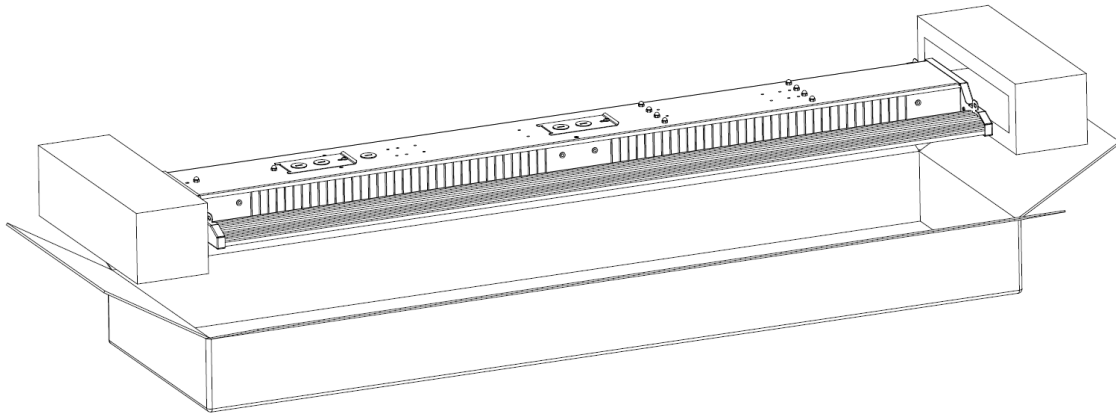


Note: The Curves indicate the illuminated area and the average illumination when the luminaire is at different distance.



PACKAGE

	Size	Qty / Carton	Net Weight / Carton	Gross Weight / Carton
Outer box	1260*360*110 MM	1 PC	6.8 KG	8.2 KG



NOTICE FOR USER

- Please turn off power before install or change assembly parts.
- The input voltage and lamps should be matched, after connecting the power line, Please make sure the wiring section is insulated.
- Non-professionals, must not install and disassemble the lamps.

TROUBLE SHOOTINGS

Troubles	Check points
Flickering of the light	Turn off the power and turn on again in 3 minutes. If same phenomena occur, then call agencies.
Out of working	Please check the connection.