



The NextGen III takes the Acclaimed Series to New Levels with Higher Efficiency and Increased Lumen Output, Top-Tier Sosen VP & M Drivers, Easy Install Motion Sensors with Remote Programming with a 7-year Warranty Backed by US Customer Support.



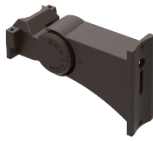
P/N: RGL-NEXTGEN3-300JT3A1-abcdef

where:

- “a” can be any two letters to represent lamp colors;  
BR=Brown, BH=Black, or Customized;
- “b” can be “AM”, “DM”, “YM”, “A&D” or  
“FM” to represent mounting bracket types;
- “c” can be “DMS” for DC Motion Sensor, “DPS” for DC  
PIR Sensor, “DP” for DC Photocontrol or blank for no  
sensor provided;
- “d” can be “10SP” or “20SP” for Surge-protective  
Device type provided or blank for no Surge-  
Protective Device provided;
- “e” can be any two digits to represent CCT.  
40=4000K, 45=4500K, 50=5000K, 57=5700K,
- “f” can be “3RP”, “3NP”, “5RP”, “5NP”, “7RP” or  
“7NP” for Photocontrol type provided or blank  
for no Photocontrol provided;



AM



DM



YM

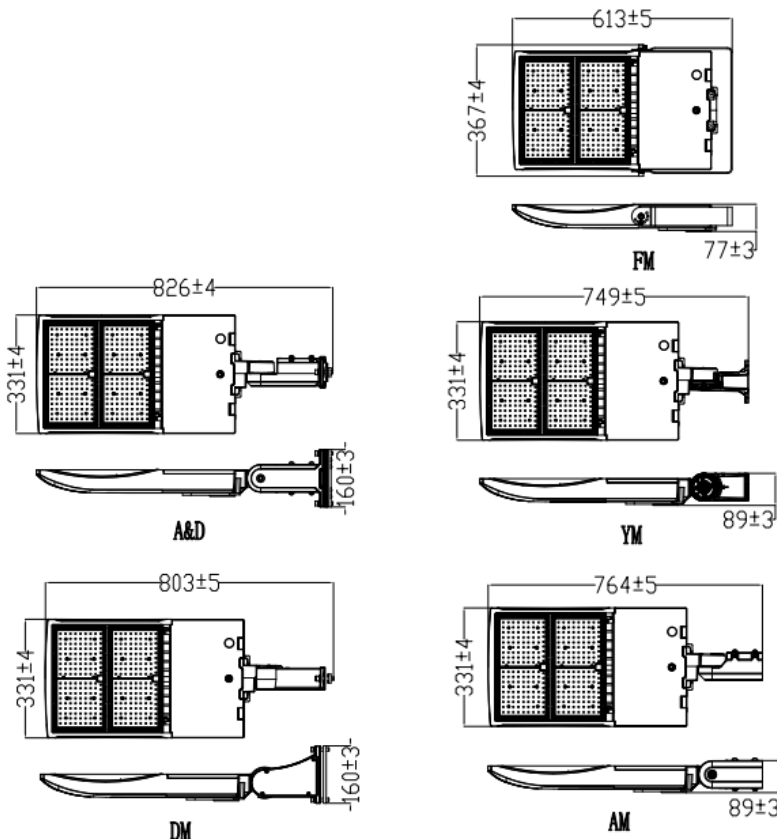


A&D



FM

**DIMENSIONS**



**ADVANTAGE**

- UL and DLC 5.1 Premium certificate.
- Bridgelux Chip, high CRI.
- IP65 driver, input voltage 120-277VAC.
- Output constant current level can be adjusted through output cable with 0-10V.
- No UV or IR in the beam.
- Easy to install and operate.
- Energy saving, long lifespan.
- Light is soft and uniform, safe to eyes.
- Instant start, NO flickering, NO humming.
- Green and eco-friendly without mercury.

**APPLICATION**

- Outdoor basketball court, tennis court.
- Badminton court, the football field.
- The school playground, stadium.
- Community leisure entertainment plaza, road lamp etc.

**SPECIFICATIONS**

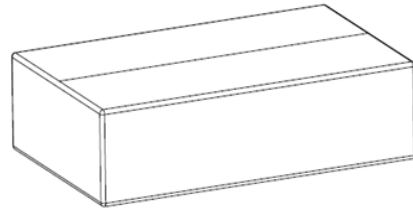
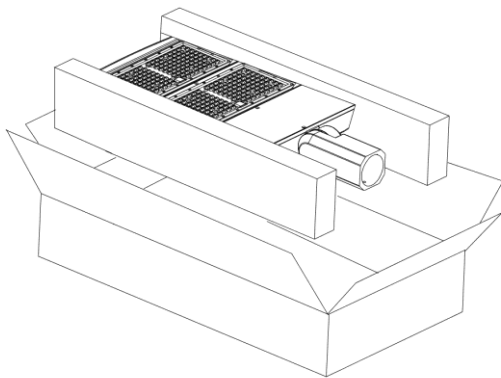
<b>OPTICAL</b>	Input Power (Tolerance : ±10%)	300W			
	Color Temperature	4000K	4500K	5000K	5700K
	Lumen (Tolerance : -10%)	40500LM	40500LM	40500LM	40500LM
	Efficacy (Tolerance : -3%)	135LM/W	135LM/W	135LM/W	135LM/W
	CRI	>70			
	Color Consistency	<6 Steps (or <6 SDCM)			
	BUG	B4-U0-G5			
	Distribution Pattern	Type III			
	Beam Angle (50%) (Tolerance : ±15%)	160 *110Degree			
<b>ELECTRICAL</b>	Input Voltage and Frequency	120-277 Vac,50/60Hz			
	PF (Tolerance : -3%)	≥0.9			
	THD (Tolerance : +5%)	≤20%			
	Flicker Percent	<5%			
	Driver Brand	SOSEN			
	Driver Model	SS-320VP-56BH			
	Driver Surge protection	L/N-PE:10kV, L-N: 10kV			
	Dimming	0-10V dimming standard			
	Optional Accessory	Photocontrol, Surge-protective Device, Motion Sensor			
<b>MATERIALS</b>	LED Brand	Bridgelux			
	LED Type	SMD3030			
	LED QTY	378PCS			
	Housing	Die-cast aluminum			
	Housing Color	Brown, Black, or Customized			
	EPA	2.31 ft²			
	Waterproof Rating	WET (IP65)			
<b>OTHERS</b>	Operating Temperature	Without Motion Sensor: -40°C TO 50°C; With Motion Sensor: -35°C TO 50°C			
	Storage Temperature	-40°C TO 80°C			
	Operating Humidity	20% - 90% RH			
	Storage Humidity	10% - 95% RH			
	Warranty	7 years warranty with 24/7 operating hours Luminaire lifetime at 25°C.			



**PACKAGE**

Bracket Type	Carton Size	Qty / Carton	Net Weight / Carton	Gross Weight / Carton
AM	915*380*155MM	1 PC	8.86 KG	9.86KG
DM	915*380*155MM	1 PC	9.32KG	10.32KG
YM	915*380*155MM	1 PC	8.76KG	9.76KG
A&D	915*380*155MM	1 PC	9.67KG	10.67KG
FM	865*405*155MM	1 PC	8.52 KG	9.42KG

Tolerance of Carton Size: ±15 MM, Tolerance of Weight: ±10%.



**LIGHT DISTRIBUTION TESTING PARAMETERS**

**Luminaire Property**

Luminaire Manufacturer:  
 Voltage: 119.3 V  
 Power: 304.99 W

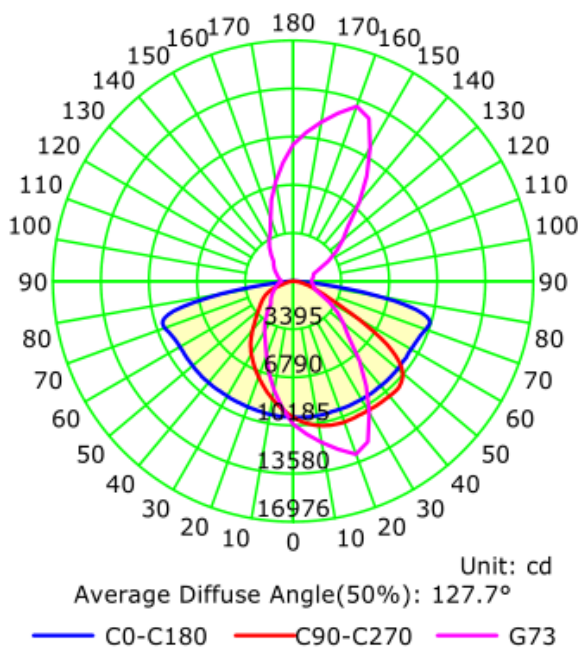
Current: 2.5803 A  
 Power Factor: 0.985

**Photometric Results**

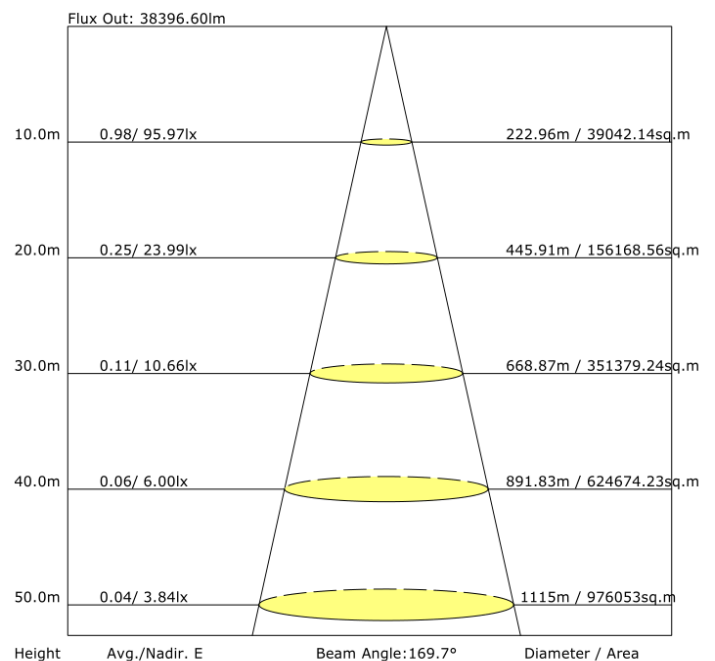
IES Classification: Type III  
 Total Rated Lamp Lumens: 38665.8 lm  
 Efficiency: 100%  
 Upward Ratio: 0%  
 Central Intensity: 9596.53 cd  
 Pos of Max. Intensity: H157.5 V73

Longitudinal Classification: Medium  
 Measurement Flux: 38665.8 lm  
 Downward Ratio: 100%  
 Luminaire Efficacy Rating (LER): 126.78  
 Max. Intensity: 13580.93 cd

Luminous Intensity Distribution Curve



The Average Illuminance Effective Figure



Product ID: PLC9K8DYIWAU



## RGL-NEXTGEN3-300JT3A1-abc[10SP;20SP]50f

Manufacturer: RuggedGrade  
Brand: RuggedGrade

### PRODUCT OVERVIEW

Classification	Premium
Primary Use	Outdoor Pole/Arm-Mounted Area and Roadway Luminaires
Reported Input Wattage	302.71 W
Reported Light Output	42921.9 lm
Reported CCT	5000 K
Product ID	PLC9K8DYIWAU
DLC Family Code	<a href="#">EMWAFM</a>
Listing Status	Listed
Date Qualified	2021-08-17

### PRODUCT INFORMATION

Qualified Product List	Solid State Lighting
Technical Requirements Version <a href="#">i</a>	5.1
Product ID <a href="#">i</a>	PLC9K8DYIWAU
Manufacturer <a href="#">i</a>	RuggedGrade
Brand	RuggedGrade
Model Number	RGL-NEXTGEN3-300JT3A1-abc[10SP;20SP]50f
Parent <a href="#">i</a>	No
Classification <a href="#">i</a>	Premium

### PRODUCT CATEGORIZATION

[VIEW DETAILS](#)

### PRODUCT CAPABILITIES

[VIEW DETAILS](#)

### REPORTED PHOTOMETRIC PERFORMANCE

Reported Backlight (TM-15 BUG) <a href="#">i</a>	4
Reported Uplight (TM-15 BUG) <a href="#">i</a>	0
Reported Glare (TM-15 BUG) <a href="#">i</a>	5
Reported Light Output <a href="#">i</a>	42921.9 lm
Reported Efficacy (AC) <a href="#">i</a>	141.79 lm/W
Reported CCT <a href="#">i</a>	5000 K
Reported CRI (Ra) <a href="#">i</a>	70

**NOTICE FOR USER**

- Please turn off power before install or change assembly parts.
- The input voltage and lamps should be matched, after connecting the power line, Please make sure the wiring section is insulated.
- No-professionals, must not install and disassemble the lamps.

Issue	Check points
Light Flickers	Check all wiring for disconnections, shorts and burnt wiring and connections. Confirm steady input voltage to the light fixture, fluctuating input voltage will harm the LED driver and can lead to premature failure. Lights with photocells can have photocell tag from ambient light or light reflecting back at the sensor. Simply cover the photocell completely and see if flickering continues while the photocell is covered. Call Tech Support for help if none of the above solves the issue.
Light does not work at all.	Check all wiring for disconnections, shorts and burnt wiring and connections. Confirm steady input voltage to the light fixture, fluctuating input voltage will harm the LED driver and can lead to premature failure. If input voltage is not in the voltage range of the fixture, you will need to find the source of your input voltage issue. Call Tech Support for help if none of the above solves the issue.

**TROUBLE SHOOTINGS**

For more technical information, install questions, troubleshooting help or warranty claims, we have a dedicated US Tech and Customer Support Team to help solve any issues you have and can be reached by email or phone. If you need help with any of our products, we are here for you so that you are never in the dark!



**BETTER LIGHTS.  
BETTER SUPPORT.**

**DLC** **UL**

**CERTIFIED LISTED**

**LEGENDARY RUGGEDGRADE QUALITY**  
**LEGENDARY USA SUPPORT**

**US based phone and online customer support**

**ROCK SOLID 5 YEARS WARRANTY**