



Aries III Series = Smaller, Smarter and Dimmable! Surge Protection Built in with the Best Driver on the Market! High Efficiency 145 Lumen to watt LEDs with over 135 in Fixture Performance - 360 Degrees of Lighting Bulb and Onboard Dimming for the Perfect Brightness

**P/N: RGL- ARIES-3-027WXYA1-adcK**

Note:

RGL = Rugged Grade Lighting

ARIES-3= Product series, LED Corn Light

027W = Rating Power

X = LED manufacturer

Y = Cover type, X=C, for Clear cover;

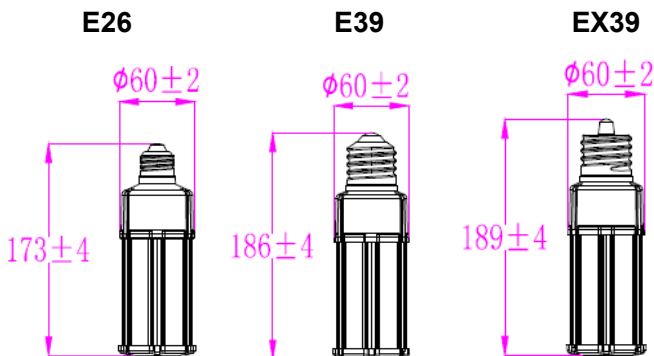
X=F, for Frosted cover

a= represent the lamp base type, can be "E" for E39, "EX" for EX39, BLANK for E26.

d= dimming type: "L" for Continuous dimming and "S" for Segmented dimmer

cK=CAXX, XX can be two digits. 27K=2700K, 30K=3000K, 35K=3500K, 40K=4000K, 50K=5000K, 57K=5700K, 65K=6500K.

**DIMENSIONS**



**ADVANTAGE**

- UL cUL certificate.
- E26 E39 EX39 lamp base.
- Can be with clear or frosted cover.
- Big heat sink, NO fan.
- Internal driver, input voltage AC100-277V. 0-10V dimming.
- Meet 4KV surge immunity level
- Two dimming options are available, continuous dimming or segmented dimmer
- Long lifespan and good heat dissipation.
- Easy installation.
- Fits many different fixtures to replace traditional lamps.

**NOTICE FOR USER**

- ◆ Please turn off power before install or change assembly parts.
- ◆ The input voltage and lamps should be matched, after connecting the power line, Please make sure the wiring section is insulated.
- ◆ Make sure to remove or bypass the ballast in the fixtures before install the lamps.
- ◆ Suitable for damp locations. Do not use with dimmers.
- ◆ Suitable for use in enclosed luminaires, min. lamp compartment dimensions: 340\*200\*200MM.
- ◆ No-professionals, must not install and disassemble the lamps.

**APPLICATION**

- Widely used in supermarket, warehouse, garage, home, office, hotel, hospital, school, street, garden etc.



**SPECIFICATIONS**

<b>OPTICAL</b>	Input Power (Tolerance : $\pm 10\%$ )	27W			
	Color Temperature	2700K	3000K	3500K	4000-6500K
	Lumen (Tolerance : $-10\%$ )-In Luminaires	3510LM	3780LM	3834LM	4050LM
	Efficacy (Tolerance : $-3\%$ )-In Luminaires	130LM/W	140LM/W	142LM/W	150LM/W
	CRI	>80			
	Color Consistency	6 Steps (or <6 SDCM)			
	Diffuser Type	Clear (Optional :Frosted)			
	Viewing Angle	280 Degree			
<b>ELECTRICAL</b>	Input Voltage	100-277VAC 50/60Hz			
	PF	$\geq 0.9$			
	THD	$\leq 20\%$			
	Flicker Percent	<30%			
	Driver Surge protection	L-N: 4kV			
	Dimmable	YES			
	Equivalent	60W CFL, 100W MHL/HPS/HID			
<b>MATERIALS</b>	LED Brand	Lumileds			
	LED Type	SMD2835			
	LED QTY	112 pcs			
	Housing	PC + Aluminum			
	Housing Color	Any colour			
	Waterproof Rating	IP64			
<b>OTHERS</b>	Operating Temperature	-40°C TO 50°C			
	Operating Humidity	20%-70% RH			
	Storage Temperature	-40°C TO 80°C			
	Storage Humidity	10%-75% RH			
	Warranty Time	5 years warranty with 24/7 operating hours lamp lifetime at 25°C and in installed fixture.			



**DLC PREMIUM RATED**  
**Tested at 127.9 Lumens to Watt and over 80 CRI**

**Model#** RGL-ARIES-3-027WBCA1-[E;EX]L50K ⌵

**Manufacturer:** RuggedGrade  
**Brand:** RuggedGrade  
**Technical Requirements Version:** 5.1  
**Date Qualified:** 04/14/2021  
**Product ID:** PL3TN2NRR04G

**Categorization**

<b>Main:</b> Mogul (E39) Screw-Base Replacements for HID Lamps	<b>Classification:</b> Standard	<a href="#">View Notes</a>
<b>General Application:</b> Low Output	<b>Is Parent Product:</b> No	
<b>Primary Use:</b> Replacement Lamps for Outdoor Pole/Arm-mounted Decorative Luminaires (Type B)	<b>DLC Family Code:</b> EMWABQ	
<b>System Type:</b> AC	<b>Listing Status:</b> Listed	

Reported Data *i*
Control Features
Distribution and Glare
Version History
Family Data

**Light Output:** *i* 3433.5 lm  
**Default Light Output:** *i* 3433.5 lm  
**Wattage:** *i* 26.85 W  
**Default Wattage:** *i* 26.85 W  
**Voltage Range:** *i* 100 - 277 V  
**Efficacy (AC):** *i* 127.9 lm/W  
**Power Factor:** *i* 0.9  
**CCT:** *i* 5000 K  
**CRI (Ra):** 80  
**R9:** 3  
**IES Rf:** 84  
**IES Rg:** 95  
**IES Rcs,h1:** -12 %  
**Total Harmonic Distortion:** *i* 15 %



**LIGHT DISTRIBUTION TESTING PARAMETERS**

Remark: The testing data comes directly from the product test. < PC Clear >

**Luminaire Property**

Luminaire Manufacturer:  
Voltage: 120.8 V  
Power: 25.64 W

Current: 0.216 A  
Power Factor: 0.984

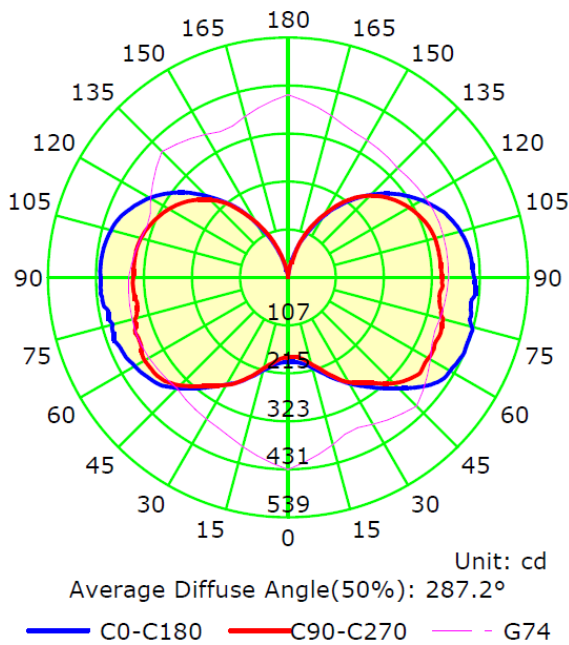
**Photometric Results**

CIE Class: General Diffuse  
Measurement Flux: 3891.4 lm  
Downward Ratio: 55%  
Horizontal Diffuse Angle(50%): H283.6  
Vertical Diffuse Angle(50%): V291.8  
Luminaire Efficacy Rating (LER): 151.82  
Max. Intensity: 431.49 cd  
S/MH(C0/C180): 2.48

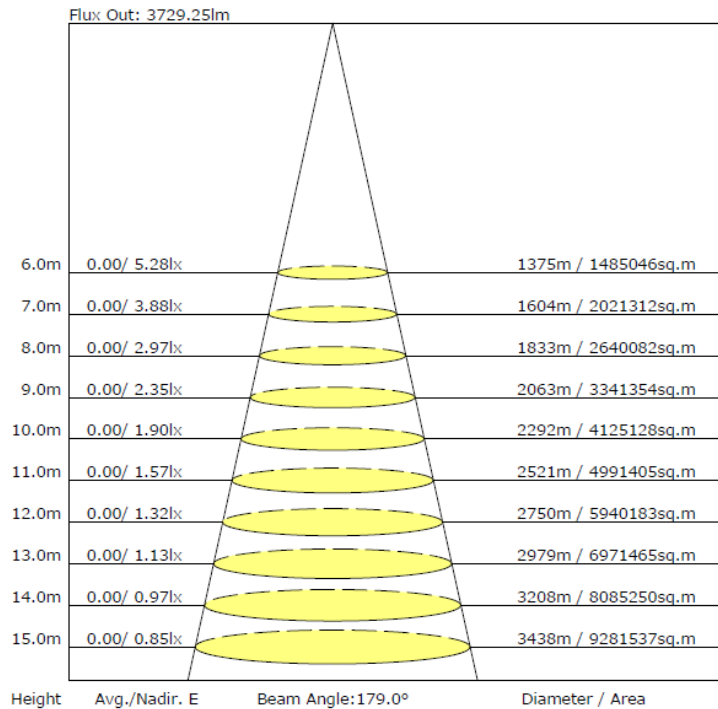
Total Rated Lamp Lumens: 3891.4 lm  
Efficiency: 100%  
Upward Ratio: 45%

Central Intensity: 190.14 cd  
Pos of Max. Intensity: H0 V74  
S/MH(C90/C270): 2.48

Luminous Intensity Distribution Curve

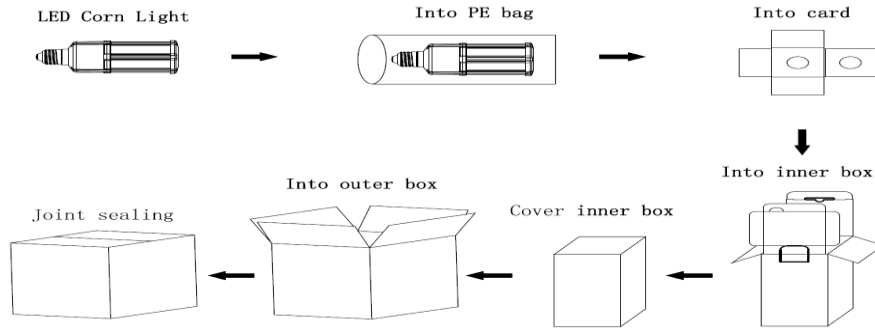


The Average Illuminance Effective Figure



**PACKAGE**

	Size	Qty / Carton	Net Weight / Carton	Gross Weight / Carton
Inner box	65*65*215MM	1 PC	0.28 KG	0.38 KG
Outer box	280*215*450MM	24 PCS	6.75 KG	10.2 KG



**NOTICE FOR USER**

- Please turn off power before install or change assembly parts.
- The input voltage and lamps should be matched, after connecting the power line, Please make sure the wiring section is insulated.
- No-professionals, must not install and disassemble the lamps.

**Use advice**

power	Usable area	Suggested Usage Time	For example	Ventilation Time
80W	1-5m2 (Personal items)	5 minutes	put goods within 4 ft of the light, such as cups, bottles, toothbrushes, shaver, cell phones, keyboards, clothes.	10minutes
	10m2 about	10 minutes	as shoe cabinet, drawer, toy box, wardrobe	20 minutes
	20m2 about	15 minutes	such as dog/ickenken house, toilet, storage room	20minutes
	40m2 about	30 minutes	kitchen, living room, bedroom.	30 minutes
	60m2 about	60 minutes	Hotels,shopping malls	60 minutes

Note: When two or more lights are used at the same time, the distance between the lights must be  $\geq 9$  meters to avoid mutual interference



**TROUBLE SHOOTINGS**

Issue	Check points
Light Flickers	Check all wiring for disconnections, shorts and burnt wiring and connections. Confirm steady input voltage to the light fixture, fluctuating input voltage will harm the LED driver and can lead to premature failure. Lights with photocells can have photocell tag from ambient light or light reflecting back at the sensor. Simply cover the photocell completely and see if flickering continues while the photocell is covered. Call Tech Support for help if none of the above solves the issue.
Light does not work at all.	Check all wiring for disconnections, shorts and burnt wiring and connections. Confirm steady input voltage to the light fixture, fluctuating input voltage will harm the LED driver and can lead to premature failure. If input voltage is not in the voltage range of the fixture, you will need to find the source of your input voltage issue. Call Tech Support for help if none of the above solves the issue.

**For more technical information, install questions, troubleshooting help or warranty claims, we have a dedicated US Tech and Customer Support Team to help solve any issues you have and can be reached by email or phone. If you need help with any of our products, we are here for you so that you are never in the dark!**



**BETTER LIGHTS.  
BETTER SUPPORT.**

**DLI CERTIFIED** **UL LISTED**

**LEGENDARY RUGGEDGRADE QUALITY**  
**LEGENDARY USA SUPPORT**

**US based phone and online customer support**

**ROCK SOLID 5 YEARS WARRANTY**

