



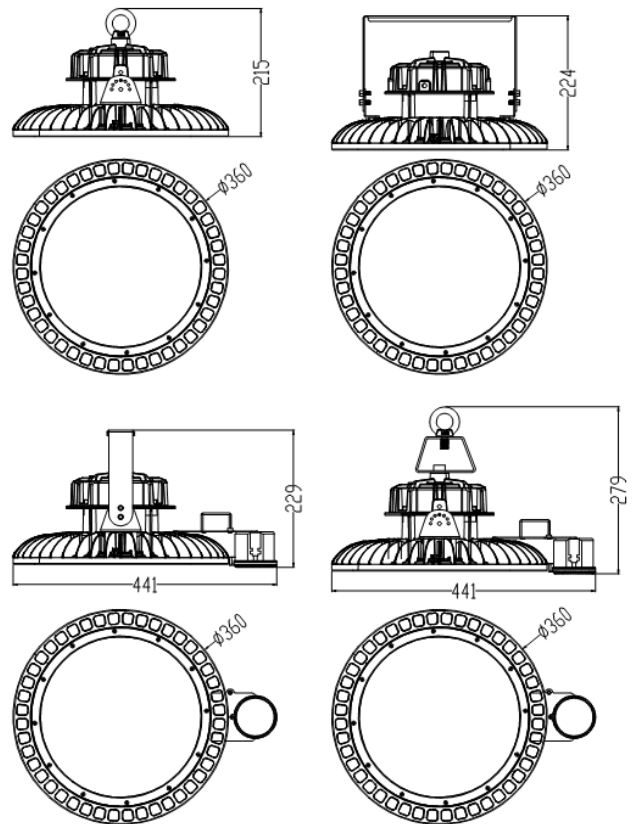
NAME: LED High Bay Light

P/N: RG-HB07-240WSBCGH1-**abcd**

- Note:
- 1.The Letter **a** in P/N stands for Housing color,Can be any color.
 - 2.The Letter **b** in P/N stands for Surge-Protective Device, Can be S or blank.
 - 3.The Letter **c** in P/N stands for Motion Sensor, can be M or blank.
 - 4.The Letter **d** in P/N stands for CCT,d=CCT, 40=4000K, 45=4500K,50=5000K, 57=5700K.

Advantage:

- UL certificate
- Input voltage 277-480Vac.The input voltage of the fixture is 277-480V when surge protective or motion sensor equipped.
- No UV or IR in the beam
- Easy to install and operate
- Energy saving, long lifespan
- Instant start, NO flickering, NO humming
- Green and eco-friendly without mercury
- Output constant current lever can be adjusted through output cable with 1-10V.



Application:

- ◆ Warehouse, factory and workshops;
- ◆ Highway toll station and gas station;
- ◆ Exhibition hall;
- ◆ Gymnasium and supermarkets, etc.

Product Specifications

Product name	LED High Bay Light
Part No	37-194 or RG-HighBay-VII-240WSBCGH1-abcd
Dimension	Φ360x215 mm or Φ360x224 mm 441x229mm or 441x279 mm

Technical Characteristic

Color temperature	4000K 4500K 5000K 5700K
CRI	>80
Cover	Tempered Clear Glass
Lumen	31200-34800LM
Viewing Angle	110°
Input Power	240W
Input Voltage	277-480Vac (The input voltage of the fixture is 277-480V when surge protective or motion sensor equipped) 50/60Hz
Driver Brand	Sosen SA Driver (1-10Vdc Dimmer)
Optional Accessory	Motion Sensor/Surge-Protective Device
PF	>0.9
Waterproof Rating	WET (IP65)

Materials

LED Brand	LUMILEDS
LED Type	SMD 2835
LED QTY	615 PCS
Housing	Aluminum
Housing color	Any Color
Cover	Tempered Clear Glass

Others

Operating Temperature	-40°C TO 50°C
Operating Humidity	10%-90% RH
Storage Temperature	-40°C TO 80°C
Storage Humidity	10%-95%
Application	Indoor/Outdoor
Safety Certification	UL
Warranty Time	5 Years

Light Distribution Testing Parameters

Luminaire Property

Luminaire Manufacturer:

Voltage: 200.2 V

Power: 235.58 W

Current: 1.1898 A

Power Factor: 0.990

Photometric Results

IES Classification: Type II

Total Rated Lamp Lumens: 32313.1 lm

Efficiency: 100%

Upward Ratio: 0%

Central Intensity: 11343.68 cd

Pos of Max. Intensity: H67.5 V1

Longitudinal Classification: Very Short

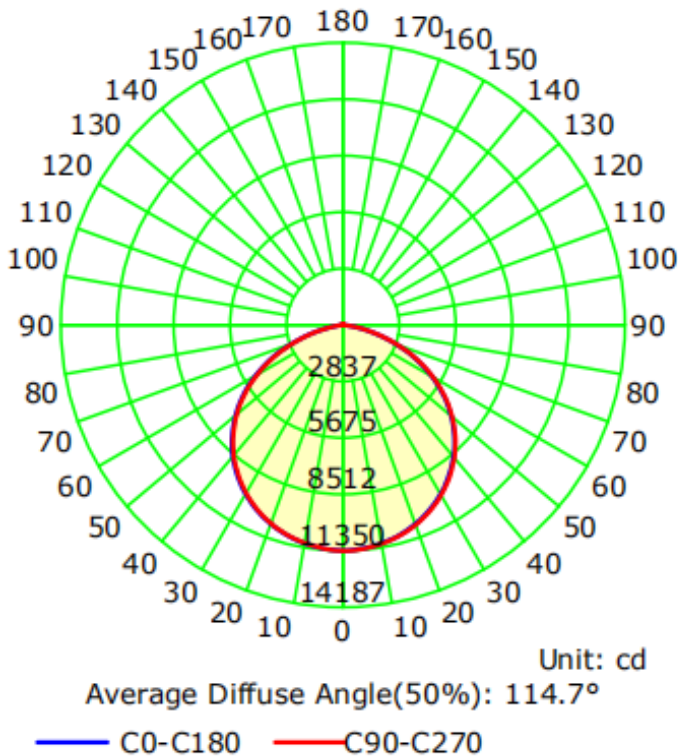
Measurement Flux: 32313.1 lm

Downward Ratio: 100%

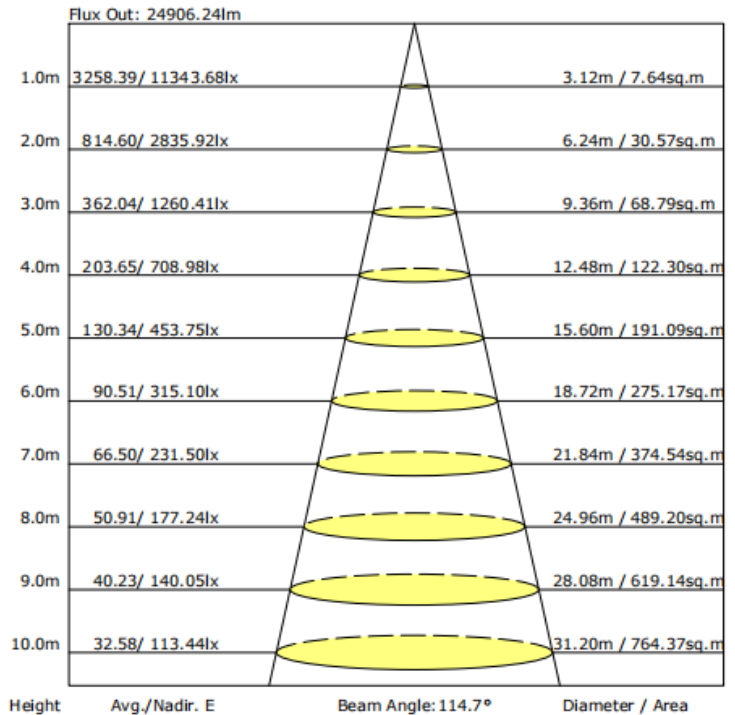
Luminaire Efficacy Rating (LER): 137.16

Max. Intensity: 11350.14 cd

Luminous Intensity Distribution Curve

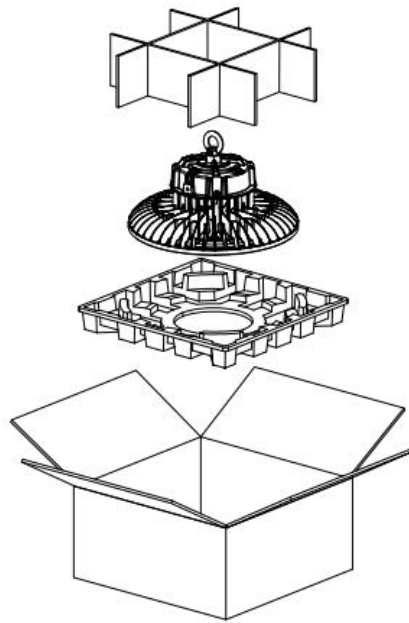


The Average Illuminance Effective Figure



Package

	Size	Qty / Carton	Lamps Net Weight	Weight/ Carton
Outer box	420X420X205MM	1PC	5.3KG	6.5KG



NOTICE FOR USER

- Please turn off power before installing or changing/assembly any parts.
- Fixture wiring is black for hot/load lead, white for neutral lead and green/yellow for ground lead. Follow electrical code for all connections and wiring in and to the fixture.
- Professional installation recommended.

TROUBLE SHOOTINGS

Issue	Check points
Light Flickers	Check all wiring for disconnections, shorts and burnt wiring and connections. Confirm steady input voltage to the light fixture, fluctuating input voltage will harm the LED driver and can lead to premature failure. Lights with photocells can have photocell tag from ambient light or light reflecting back at the sensor. Simply cover the photocell completely and see if flickering continues while the photocell is covered. Call Tech Support for help if none of the above solves the issue.
Light does not work at all.	Check all wiring for disconnections, shorts and burnt wiring and connections. Confirm steady input voltage to the light fixture, fluctuating input voltage will harm the LED driver and can lead to premature failure. If input voltage is not in the voltage range of the fixture, you will need to find the source of your input voltage issue. Call Tech Support for help if none of the above solves the issue.

For more technical information, install questions, troubleshooting help or warranty claims, we have a dedicated US Tech and Customer Support Team to help solve any issues you have and can be reached by email or phone. If you need help with any of our products, we are here for you so that you are never in the dark!

**BETTER LIGHTS.
BETTER SUPPORT.**

