



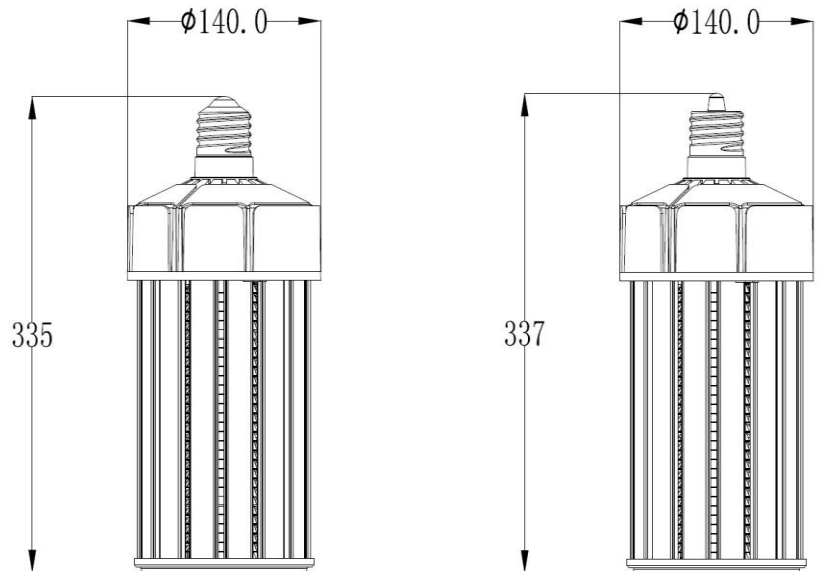
NAME: 200 watt LED Corn Light

P/N: RG-3CL3G-200WAC1Z-aaK

Note: 1. The Letter Z in P/N stands for Lamp base type, “-E” for E39 lamp base, “-EX” for EX39 lamp base.
 2. “aa” in P/N stands for CCT, can be 30,35,40,45,50,57.

Advantage:

- UL certificate.
- E39/EX39 lamp base.
- 360 degree lighting, high CRI.
- IP64 Waterproof Rating.
- Meet 4kV surge immunity level.
- Internal driver, input voltage AC100-277V.
- Long lifespan and good heat dissipation ,
- With SONUN fan.
- Direct replacement for CFL and Metal Halide,
- Easy Installation.



Application:

↗ Replacement Lamps for High Bay Luminaires (UL Type B)

Product Specifications

Product name	LED Corn Light	
Part No	RG-3CL3G-200WAC1Z-aaK	RG-3CL3G-200WAC1Z-aaK
Lamp Base	E39	EX39
Dimension	Φ140*335 MM	Φ140*337MM

Technical Characteristic

Color temperature	3000K/3500K/4000K/4500K/5000K/5700K
CRI	>80
Lumen-In Luminaires	22000~24000 LM
Lumen Efficacy-In Luminaires	115~125 LM/W
Input Power	200 W
Viewing Angle	360 degree
Input Voltage	AC100-277V 50/60Hz
PF	≥0.9
Equivalent	600W MHL/HPS/HID
Waterproof Rating	IP64

Materials

LED Type	SMD2835
LED QTY	608 PCS
Housing	PC + AL
Housing color	White

Others

Operating Temperature	-20°C TO 45°C
Operating Humidity	20%-70% RH
Storage Temperature	-30°C TO 80°C
Storage Humidity	10%-75% RH
Application	Indoor / Outdoor
Safety Certification	UL
Warranty Time	5 Years

Light Distribution Testing Parameters

Remark: The testing data comes from the product in luminaires.

Luminaire Property

Luminaire Manufacturer:

Voltage: 119.8 V

Power: 196.04 W

Current: 1.6439 A

Power Factor: 0.9938

Photometric Results

IES Classification: Type IV

Total Rated Lamp Lumens: 21261.2 lm

Efficiency: 100%

Upward Ratio: 14%

Central Intensity: 1869.19 cd

Pos of Max. Intensity: H225 V54

Longitudinal Classification: Very Short

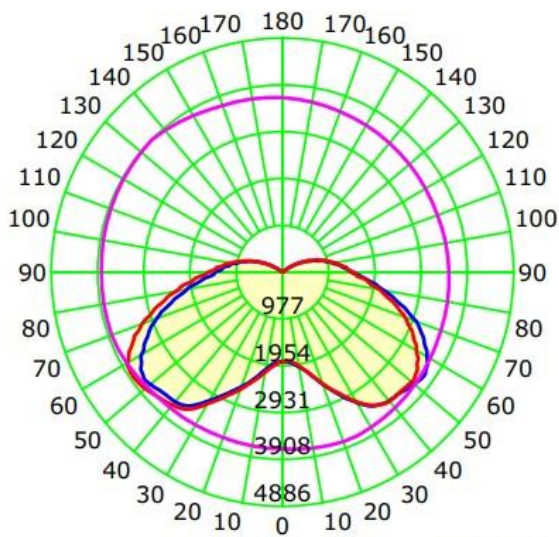
Measurement Flux: 21261.2 lm

Downward Ratio: 86%

Luminaire Efficacy Rating (LER): 108.45

Max. Intensity: 3908.88 cd

Luminous Intensity Distribution Curve

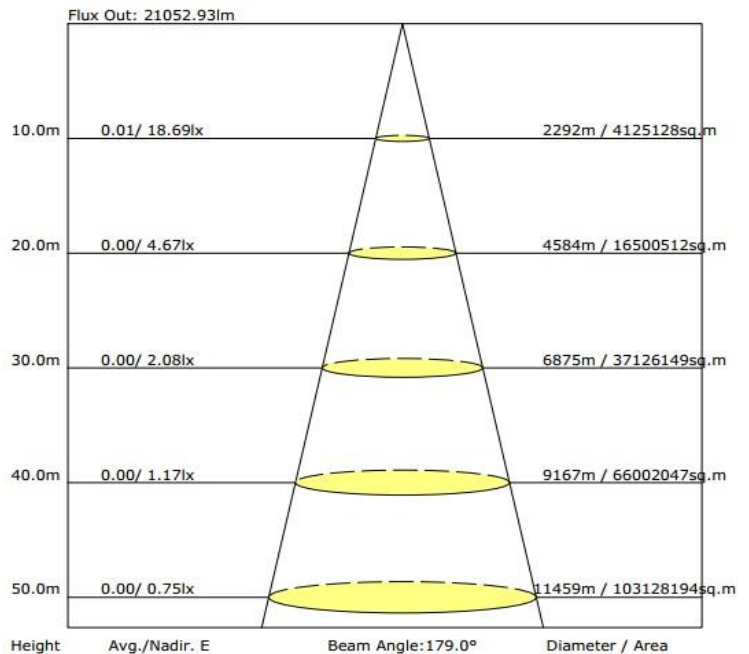


Unit: cd

Average Diffuse Angle(50%): 166.5°

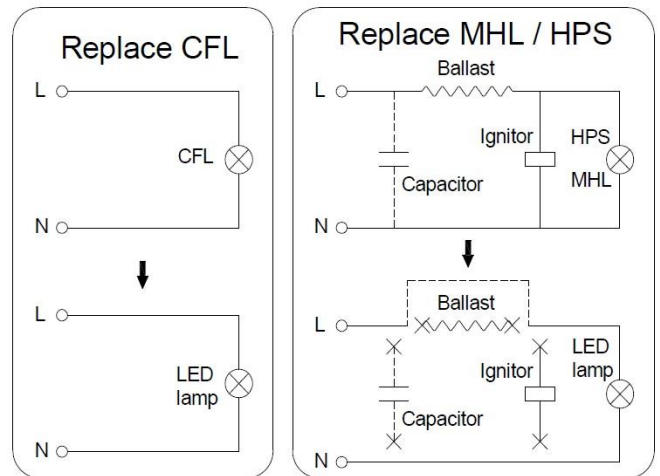
— C0-C180 — C90-C270 — G54

The Average Illuminance Effective Figure



Notice For User

- ⚡ Please turn off power before install or change assembly parts.
- ⚡ The input voltage and lamps should be matched, after connecting the power line, please make sure the wiring section is insulated.
- ⚡ Make sure to remove or bypass the ballast in the fixtures before install the lamps.
- ⚡ Suitable for damp locations. Do not use with dimmers.
- ⚡ Suitable for use in enclosed luminaires, min. lamp compartment dimensions: 500*280*280 MM.
- ⚡ No-professionals, must not install and disassemble the lamps.



Trouble Shootings

Troubles	Check points
Flickering of the light	Turn off the power and turn on again in 3 minutes. If same phenomena occur, then call agencies.
Out of working	Please check the connection.