



Ultimate Versatility in Lighting! 26,000 Lumens - 200 Watt LED Flood Light - Kivo Series High Efficiency 130 Lumen to Watt



P/N: RGL-KIVO-FL06C-200WXYA1-abcde

**Note:**

RGL = Rugged Grade Lighting

KIVO = Product series, LED Flood Light

200W = Rating Power

X = LED manufacturer, X=C, for Seoul 3030

Y = Diffuser light angle type;

A1 = Version number

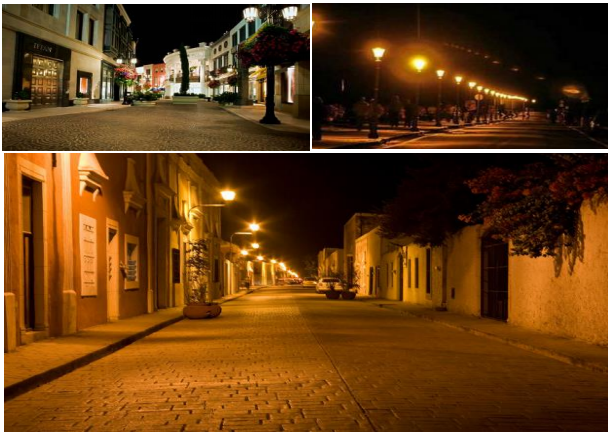
“a” can be any two letters for lamp colors;

“b” can be “3RP”, “3NP”, “5RP”, “5NP”, “7RP” or “7NP” or blank for photocontrol provided or not;

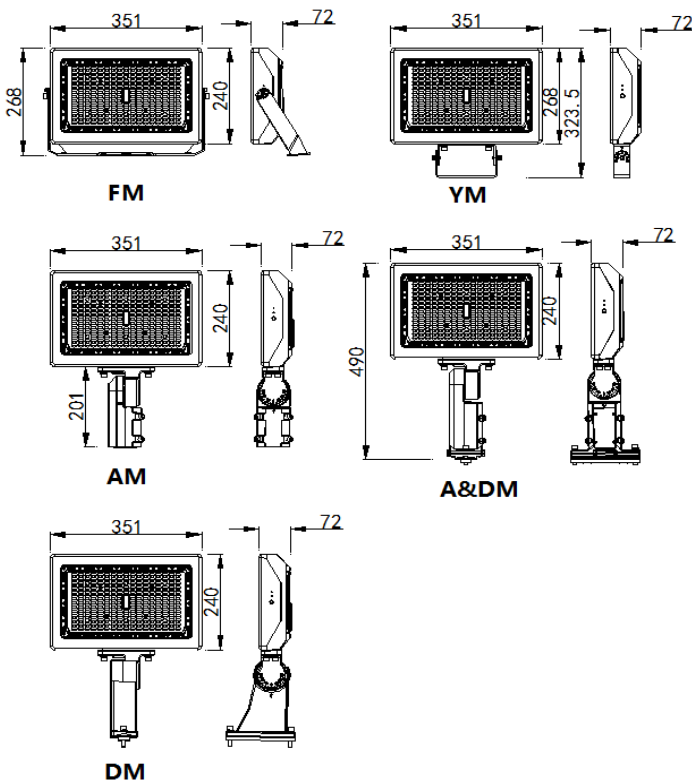
“c” can be “10SP”, or blank for Surge protector provided or not;

“d” can be “YM”, “FM”, “AM”, “DM”, “A & DM” for bracket type;

“e” can be any two digits for CCT or CAXX, CAXX for adjustable CCT (any two digits for XX).



**DIMENSIONS**



**ADVANTAGE**

- UL cUL certificate.
- IP65 driver, input voltage 120-347AC.
- Color Adjustable.
- No UV or IR in the beam.
- Easy to install and operate.
- Energy saving, long lifespan.
- Light is soft and uniform, safe to eyes.
- Instant start, NO flickering, NO humming.
- Green and eco-friendly without mercury.

**APPLICATION**

- Outdoor basketball court, tennis court.
- Badminton court, the football field.
- The school playground, stadium.



## SPECIFICATIONS

<b>OPTICAL</b>	Input Power	200W
	Cover	LENS
	Lumen	25000-29000LM
	Viewing Angle	7H6V
	Color Temperature	2700K-6500K
	CRI	>70
<b>ELECTRICAL</b>	Input Voltage	120-347VAC 50/60Hz
	PF	≥0.9
	THD	≤20%
	Driver Model	Rugged Grade Driver (1-10Vdc Dimmer )
	Optional Accessory	Photocell/Surge protector
<b>MATERIALS</b>	LED Type	SMD3030 (1W)
	LED Brand	Seoul
	LED QTY	224PCS
	Housing	Aluminum Alloy
	Housing Color	Any Colors
	Waterproof Rating	WET (IP65)
<b>OTHERS</b>	Operating Temperature	-40°C TO 50°C
	Operating Humidity	10%-90% RH
	Storage Temperature	-40°C TO 80°C
	Storage Humidity	10%-95% RH
	Warranty Time	5 Years



## LIGHT DISTRIBUTION TESTING PARAMETERS

### Luminaire Property

Luminaire Manufacturer:

Voltage: 120.1 V

Power: 200.80 W

Current: 1.678 A

Power Factor: 0.991

### Photometric Results

IES Classification: Type II

Total Rated Lamp Lumens: 27043.0 lm

Efficiency: 100%

Upward Ratio: 1%

Central Intensity: 11539.2 cd

Pos of Max. Intensity: H0 V3

Longitudinal Classification: Very Short

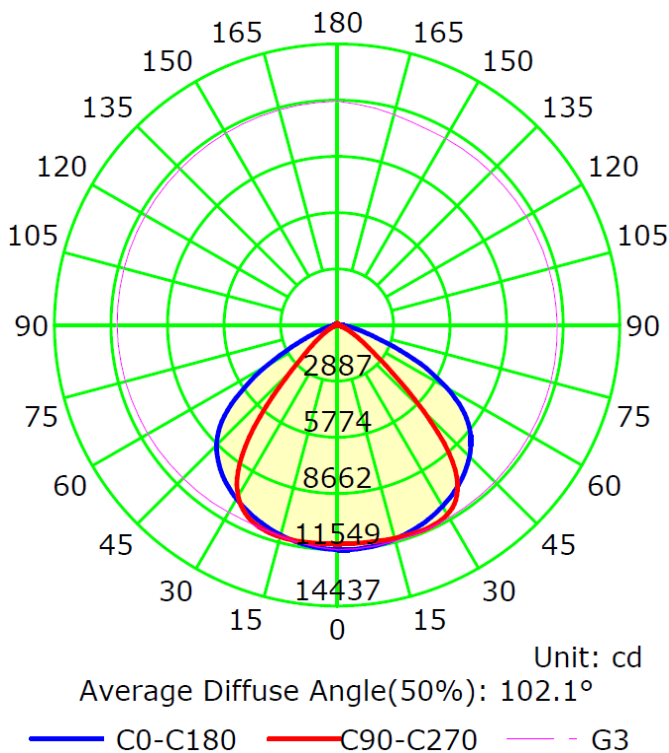
Measurement Flux: 27043 lm

Downward Ratio: 99%

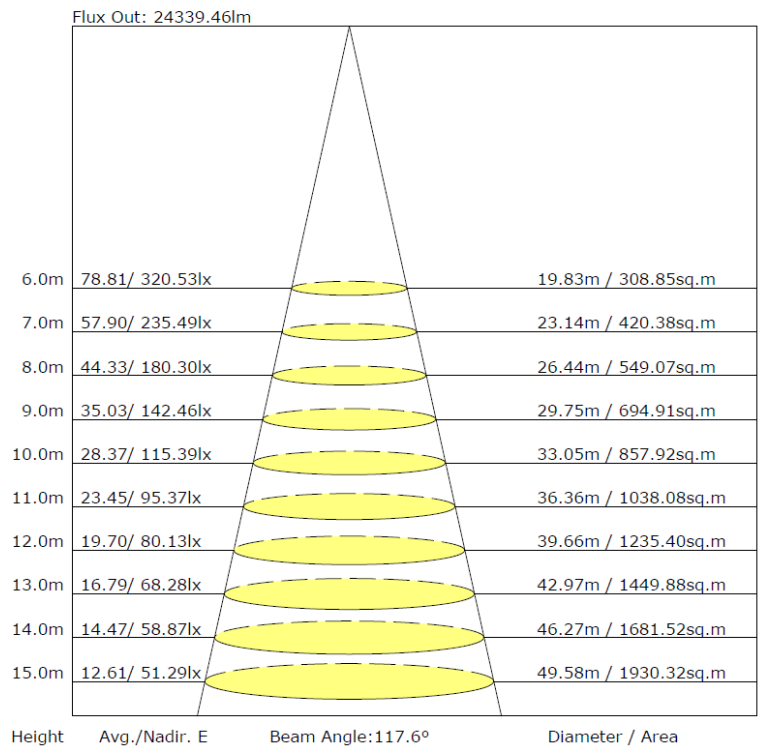
Luminaire Efficacy Rating (LER): 134.93

Max. Intensity: 11549.93 cd

Luminous Intensity Distribution Curve



The Average Illuminance Effective Figure



## DLC TEST REPORT

**Model#** RGL-KIVO-FL06C-200WCH8A1-ab[10SP;20SP;Blank]d50

**Manufacturer:** RuggedGrade  
**Brand:** RuggedGrade  
**Technical Requirements Version:** 5  
**Date Qualified:** 12/10/2020  
**Product ID:** PLSA5Q4FMIPH

### Categorization

**Main:** Outdoor Luminaires  
**General Application:** High Output  
**Primary Use:** Architectural Flood and Spot Luminaires  
**System Type:** AC

**Classification:** Premium  
**Is Parent Product:** No  
**DLC Family Code:** FFFJMJ  
**Listing Status:** Listed

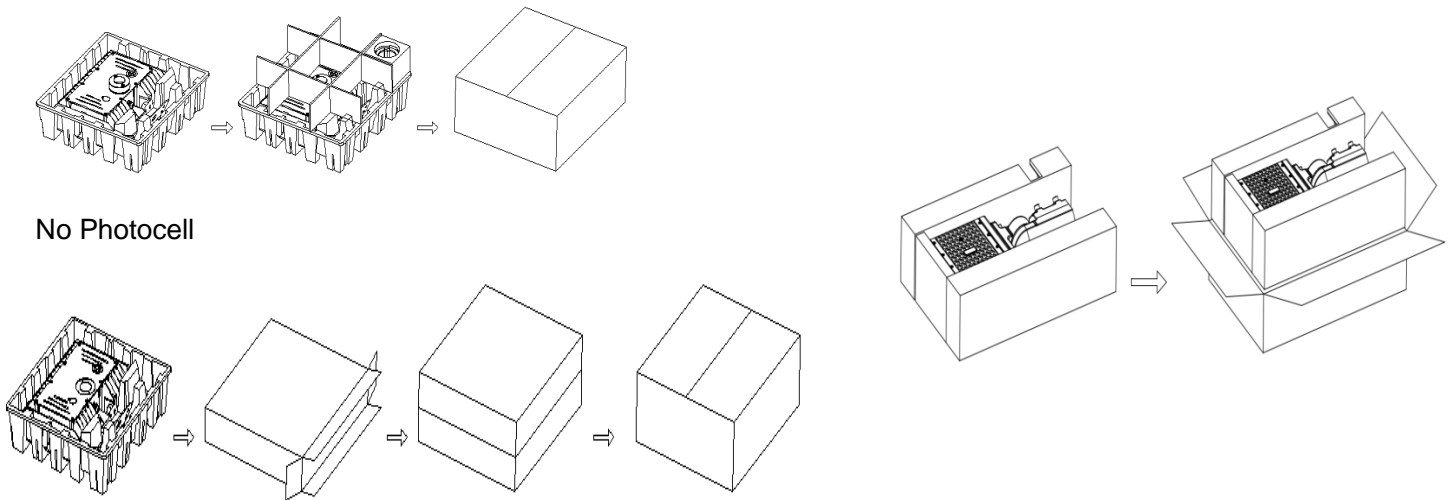
Reported Data **i** | Control Features | Version History | Family Data

**Light Output:** **i** 26618.6 lm  
**Default Light Output:** **i** 26618.6 lm  
**Wattage:** **i** 196.54 W  
**Default Wattage:** **i** 196.54 W  
**Voltage Range:** **i** 120 - 347 V  
**Efficacy (AC):** **i** 135.44 lm/W  
**Power Factor:** **i** 0.9  
**CCT:** **i** 5000 K  
**CRI (Ra):** 70  
**Total Harmonic Distortion:** **i** 15 %  
**Tested Light Distribution Setting:** **i** Pointing Straight Down



**PACKAGE**

		FM	YM	FM	YM	AM	DM	A&DM
Lamps Net Weight		6.4kg	6.2kg	6.8kg	6.6kg	7.1kg	7.5kg	8.0kg
Inner box	size	425*100*395mm		/		/		
	Qty/ Carton	1 PCS						
	Weight/Carton	7.5kg	7.3kg					
Outer box	size	440*410*200 mm		440*410*200 mm		520*400*160mm		
	Qty/ Carton	2 PCS		1 PCS ( with Photocell )		1PCS		
	Weight/Carton	15.8kg	15.4kg	8.4kg	8.2kg	8.6kg	9.0kg	9.5kg



## NOTICE FOR USER

- Please turn off power before installing or changing/assembly any parts.
- Fixture wiring is black for hot/load lead, white for neutral lead and green/yellow for ground lead. Follow electrical code for all connections and wiring in and to the fixture.
- Professional installation recommended.

## TROUBLE SHOOTINGS

Issue	Check points
Light Flickers	Check all wiring for disconnections, shorts and burnt wiring and connections. Confirm steady input voltage to the light fixture, fluctuating input voltage will harm the LED driver and can lead to premature failure. Lights with photocells can have photocell tag from ambient light or light reflecting back at the sensor. Simply cover the photocell completely and see if flickering continues while the photocell is covered. Call Tech Support for help if none of the above solves the issue.
Light does not work at all.	Check all wiring for disconnections, shorts and burnt wiring and connections. Confirm steady input voltage to the light fixture, fluctuating input voltage will harm the LED driver and can lead to premature failure. If input voltage is not in the voltage range of the fixture, you will need to find the source of your input voltage issue. Call Tech Support for help if none of the above solves the issue.

**For more technical information, install questions, troubleshooting help or warranty claims, we have a dedicated US Tech and Customer Support Team to help solve any issues you have and can be reached by email or phone. If you need help with any of our products, we are here for you so that you are never in the dark!**



**BETTER LIGHTS.  
BETTER SUPPORT.**

**UL CERTIFIED LISTED**

**LEGENDARY RUGGEDGRADE QUALITY**  
LEGENDARY USA SUPPORT

**US based phone and online customer support**

**ROCK SOLID 5 YEARS WARRANTY**

