



The new 200-Watt Durado II series has all new improved hardware and a huge 26,000 Lumen output for higher install heights and applications requiring more light than standard wall packs can put out. It's DLC 5.0 Premium certified for rebates eligibility and can replace a 500-750 watt Metal Halide or HPS.



P/N: RGL-SCWP018-200BA1-abcdef

Note:

RGL= Rugged Grade Lighting;

SWP01 = Product series, LED Semi-Cutoff Wall Pack;

200W = Rating Power;

“B” for lumileds 2835;

A1 = Version number;

“a” can be any two letters to represent lamp colors;

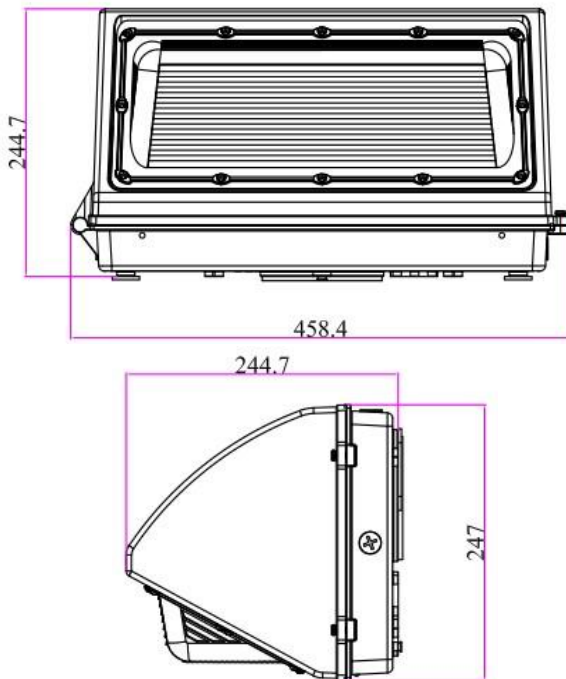
“b” can be “S” or blank for Surge-Protective Device provided or not;

“c” can be “R” or blank for PIR Sensor provided or not;

“d” can be “P” or blank for Photocontrol provided or not;

“f” can be any two digits to represent CCT.

DIMENSIONS



ADVANTAGE

- UL cUL DLC certificate;
- IP65 Internal driver, input voltage 100-277VAC;
- No UV or IR in the beam;
- Easy to install and operate;
- Energy saving, long lifespan;
- Light is soft and uniform, safe to eyes;
- Instant start, NO flickering, NO humming;
- Green and eco-friendly without mercury.

APPLICATION

- Entrance lighting, courtyard lighting;
- Industrial lighting, Outdoor landscape lighting;
- Building, The hotel;
- Wall lighting area and so on.

SPECIFICATIONS

| | | |
|-------------------|-----------------------|-----------------------------|
| OPTICAL | Input Power | 200W |
| | Lumen | 24000-27000LM |
| | Lumen Efficacy | 120-135 LM/W |
| | Color Temperature | 4000K,4500K,5000K,5700K |
| | CRI | >80 |
| | Viewing Angle | 110 Degree |
| ELECTRICAL | Input Voltage | 100-277VAC 50/60Hz |
| | PF | ≥0.9 |
| | THD | ≤20% |
| | Driver Model | Rugged Grade Driver |
| MATERIALS | LED Type | SMD2835 (0.5W) |
| | LED QTY | 600 PCS |
| | Housing | Aluminum (ADC12) +PC |
| | Housing Color | Brown |
| | Cover | Stripe lens |
| | Waterproof Rating | WET (IP65) |
| | Optional Accessory | Photocell / Surge protector |
| OTHERS | Operating Temperature | -20°C TO 45°C |
| | Operating Humidity | 20%-90% RH |
| | Storage Temperature | -30°C TO 80°C |
| | Storage Humidity | 10%-95% RH |
| | Warranty Time | 5 Years |



LIGHT DISTRIBUTION TESTING PARAMETERS

Luminaire Property

Luminaire Manufacturer:

Voltage: 120.8 V

Power: 205.30 W

Current: 1.705 A

Power Factor: 0.997

Photometric Results

IES Classification: Type IV

Total Rated Lamp Lumens: 25233.4 lm

Efficiency: 100%

Upward Ratio: 4%

Central Intensity: 9097.46 cd

Pos of Max. Intensity: H90 V20

Longitudinal Classification: Very Short

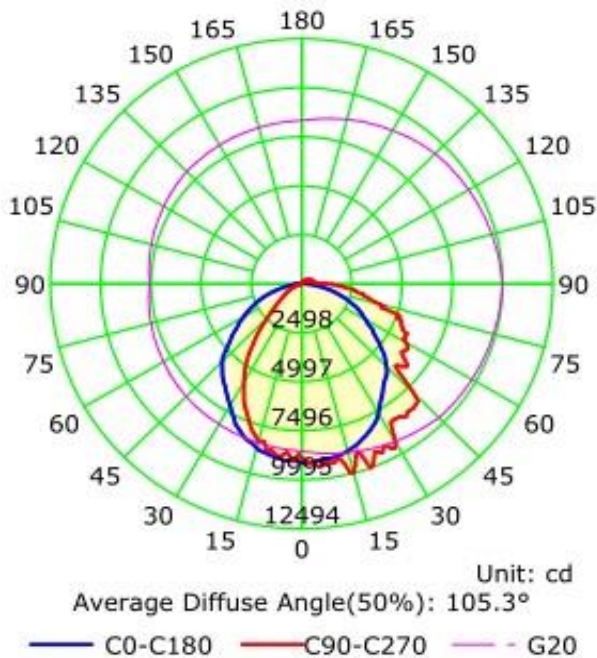
Measurement Flux: 25233.4 lm

Downward Ratio: 96%

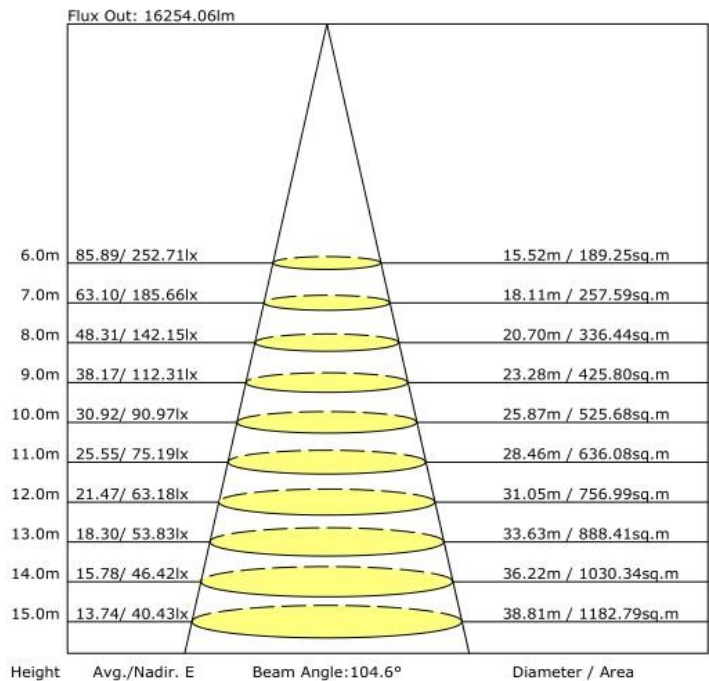
Luminaire Efficacy Rating (LER): 122.96

Max. Intensity: 9996 cd

Luminous Intensity Distribution Curve



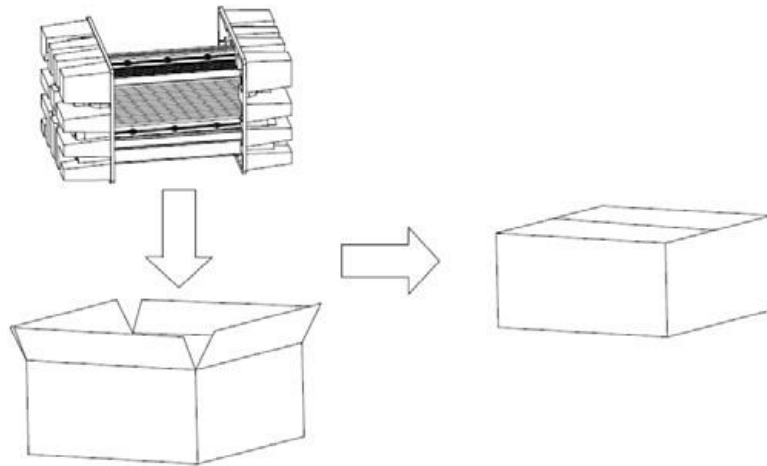
The Average Illuminance Effective Figure



PACKAGE

| | Size | Qty / Carton | Net Weight / Carton | Gross Weight / Carton |
|-----------|-------------|--------------|---------------------|-----------------------|
| Outer box | 500*305*315 | 1 | 5.92kg | 7.3kg |

Tolerance of Carton Size: ± 15 MM, Tolerance of Weight: $\pm 10\%$.



NOTICE FOR USER

- Please turn off power before install or change assembly parts.
- The input voltage and lamps should be matched, after connecting the power line, Please make sure the wiring section is insulated.
- No-professionals, must not install and disassemble the lamps.

TROUBLESHOOTINGS

| Issue | Check points |
|-----------------------------|---|
| Light Flickers | Check all wiring for disconnections, shorts and burnt wiring and connections. Confirm steady input voltage to the light fixture, fluctuating input voltage will harm the LED driver and can lead to premature failure. Lights with photocells can have photocell tag from ambient light or light reflecting back at the sensor. Simply cover the photocell completely and see if flickering continues while the photocell is covered. Call Tech Support for help if none of the above solves the issue. |
| Light does not work at all. | Check all wiring for disconnections, shorts and burnt wiring and connections. Confirm steady input voltage to the light fixture, fluctuating input voltage will harm the LED driver and can lead to premature failure. If input voltage is not in the voltage range of the fixture, you will need to find the source of your input voltage issue. Call Tech Support for help if none of the above solves the issue. |

For more technical information, install questions, troubleshooting help or warranty claims, we have a dedicated US Tech and Customer Support Team to help solve any issues you have and can be reached by email or phone. If you need help with any of our products, we are here for you so that you are never in the dark!



**BETTER LIGHTS.
BETTER SUPPORT.**

DL CERTIFIED **UL** LISTED

LEGENDARY RUGGEDGRADE QUALITY
LEGENDARY USA SUPPORT

US based phone and online customer support

ROCK SOLID 5 YEARS WARRANTY