



4000K Natural White - 6KV Built into the Best Driver on the Market! High Efficiency 145 Lumen to watt LEDs with over 135 in Fixture performance - 360 Degree Lighting LED Corn Light Bulb.



P/N: RGL-CLW08C-018WXYA1-acK

Note:

RGL= Company name

CLW08C= Product series, LED Corn Light

018W = Rating Power

X = LED manufacturer, B= LUMILEDS

Y = Cover type, X=C, for Clear cover;

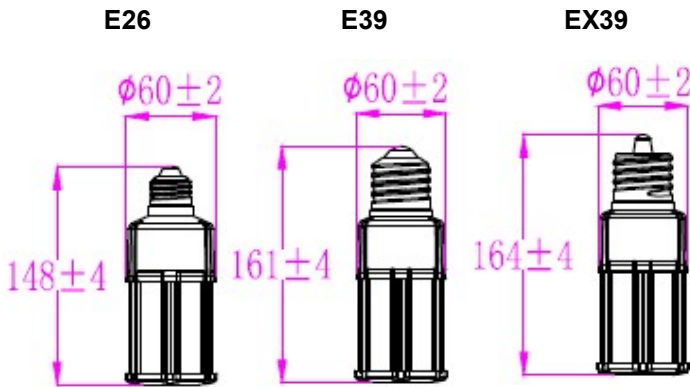
X=F, for Frosted cover

a= represent the lamp base type, can be "E" for E39, "EX" for EX39, BLANK for E26.

cK=CAXX, XXcan be two digital. CA30K=3000K,

CA40K=4000K, CA50K=5000K.

DIMENSIONS



ADVANTAGE

- UL cUL certificate.
- E26 E39 EX39 lamp base.
- Switch with CCT selectable function, and 3000 K /4000K/ 5000K are available options
- No dimming functions.
- Can be with clear or frosted cover.
- Big heat sink, NO fan.
- Internal driver, input voltage AC100-277V.
- Meet 4KV surge immunity level
- Long lifespan and good heat dissipation.
- Easy installation.
- Fits many different fixtures to replace traditional lamps.

NOTICE FOR USER

- Please turn off power before install or change assembly parts.
- The input voltage and lamps should be matched, after connecting the power line, please make sure the wiring section is insulated.
- Make sure to remove or bypass the ballast in the fixtures before install the lamps.
- Suitable for damp locations. Do not use with dimmers.
- Suitable for use in enclosed luminaires, min. lamp compartment dimensions: 320*190*190MM.
- No-professionals, must not install and disassemble the lamps.

APPLICATION

- Widely used in supermarket, warehouse, garage, home, office, hotel, hospital, school, street, garden etc.

SPECIFICATIONS

OPTICAL	Input Power (Tolerance : $\pm 10\%$)	18W		
	Color Temperature (Color Tunable)	3000K	4000K	5000K
	Lumen (Tolerance : -10%)-In Luminaires	2520LM	2790 LM	2700 LM
	Efficacy (Tolerance : -3%)-In Luminaires	140LM/W	155LM/W	150LM/W
	CRI	>80		
	Color Consistency	7 Steps (or <7 SDCM)		
	Diffuser Type	Clear (Optional :Frosted)		
	Viewing Angle	280 Degree		
ELECTRICAL	Input Voltage	100-277VAC 50/60Hz		
	PF	≥ 0.9		
	THD	$\leq 20\%$		
	Flicker Percent	<50%		
	Driver Surge protection	L-N: 4kV		
	Dimmable	NO		
	Equivalent	42W CFL, 70W MHL/HPS/HID		
MATERIALS	LED Brand	Lumileds		
	LED Type	SMD2835		
	LED QTY	84 pcs of 3000K + 84 pcs of 5000K		
	Housing	PC + Aluminum		
	Housing Color	Any colour		
	Waterproof Rating	IP64		
OTHERS	Operating Temperature	-40°C TO 50°C		
	Operating Humidity	20%-70% RH		
	Storage Temperature	-40°C TO 80°C		
	Storage Humidity	10%-75% RH		
	Warranty Time	5 years warranty with 24/7 operating hours lamp lifetime at 25°C and in installed fixture.		

LIGHT DISTRIBUTION TESTING PARAMETERS

Remark: The testing data comes directly from the product test. < PC Clear >

Luminaire Property

Luminaire Manufacturer:
Voltage: 120.3 V
Power: 17.36 W

Current: 0.146 A
Power Factor: 0.988

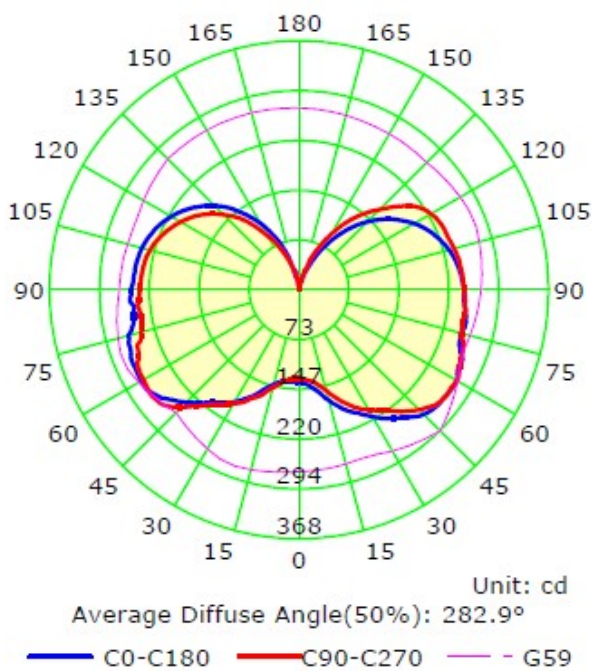
Photometric Results

CIE Class: General Diffuse
Measurement Flux: 2684.7 lm
Downward Ratio: 57%
Horizontal Diffuse Angle(50%): H282.1
Vertical Diffuse Angle(50%): V283.8
Luminaire Efficacy Rating (LER): 154.70
Max. Intensity: 294.62 cd
S/MH(C0/C180): 2.39

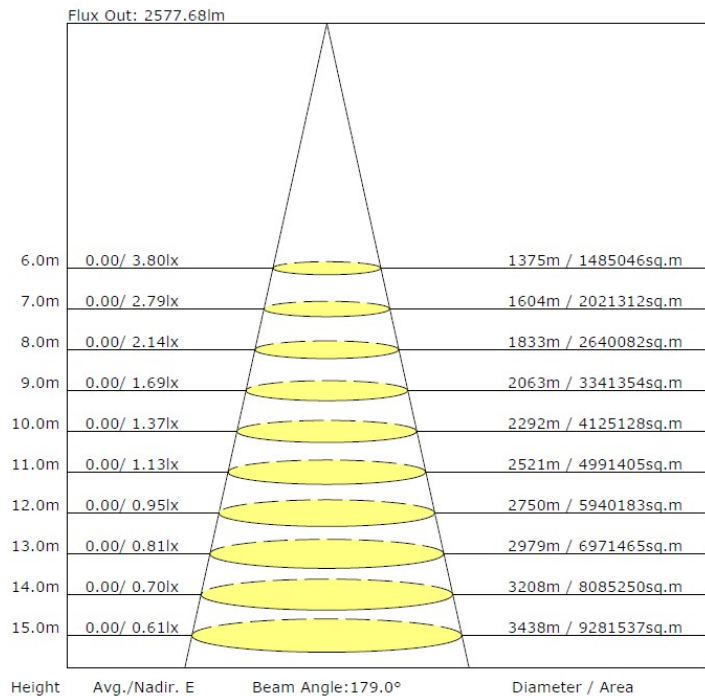
Total Rated Lamp Lumens: 2684.7 lm
Efficiency: 100%
Upward Ratio: 43%

Central Intensity: 136.89 cd
Pos of Max. Intensity: H45 V59
S/MH(C90/C270): 2.48

Luminous Intensity Distribution Curve

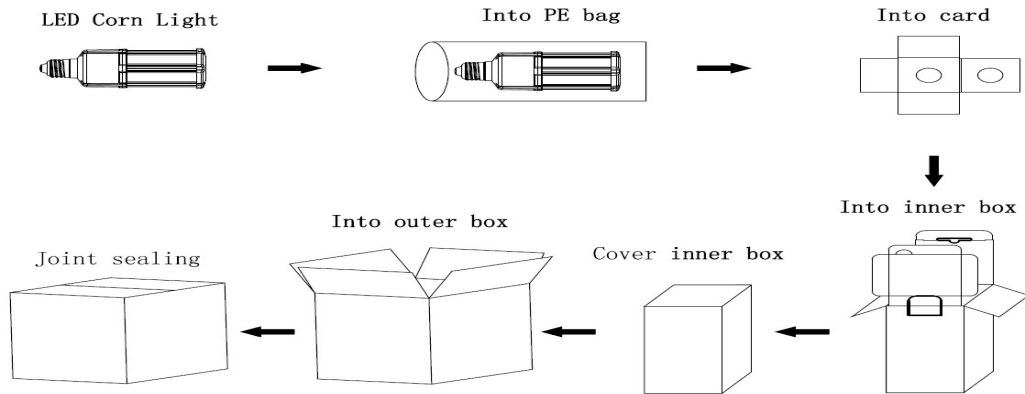


The Average Illuminance Effective Figure



PACKAGE

	Size	Qty / Carton	Net Weight / Carton	Gross Weight / Carton
Inner box	65*65*190MM	1 PC	0.25 KG	0.35 KG
Outer box	280*215*400MM	24 PCS	6.0 KG	9.7 KG



NOTICE FOR USER

- Please turn off power before install or change assembly parts.
- The input voltage and lamps should be matched, after connecting the power line, Please make sure the wiring section is insulated.
- No-professionals, must not install and disassemble the lamps.

TROUBLESHOOTINGS

Issue	Check points
Light Flickers	Check all wiring for disconnections, shorts and burnt wiring and connections. Confirm steady input voltage to the light fixture, fluctuating input voltage will harm the LED driver and can lead to premature failure. Lights with photocells can have photocell tag from ambient light or light reflecting back at the sensor. Simply cover the photocell completely and see if flickering continues while the photocell is covered. Call Tech Support for help if none of the above solves the issue.
Light does not work at all.	Check all wiring for disconnections, shorts and burnt wiring and connections. Confirm steady input voltage to the light fixture, fluctuating input voltage will harm the LED driver and can lead to premature failure. If input voltage is not in the voltage range of the fixture, you will need to find the source of your input voltage issue. Call Tech Support for help if none of the above solves the issue.

For more technical information, install questions, troubleshooting help or warranty claims, we have a dedicated US Tech and Customer Support Team to help solve any issues you have and can be reached by email or phone. If you need help with any of our products, we are here for you so that you are never in the dark!



**BETTER LIGHTS.
BETTER SUPPORT.**

DLC CERTIFIED

UL LISTED

LEGENDARY RUGGEDGRADE QUALITY
LEGENDARY USA SUPPORT

US based phone and online customer support

ROCK SOLID 5 YEARS WARRANTY