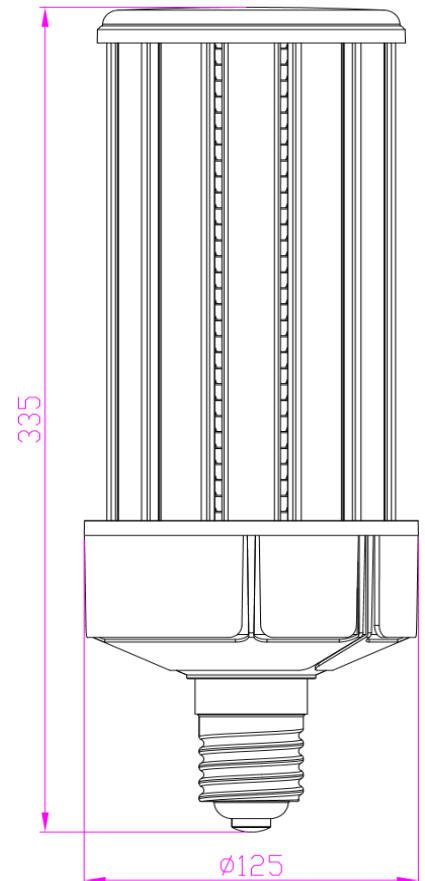


# TECHNICAL DATA SHEET



**NAME:** 150 watt LED Corn Light

**P/N:** RG-CLW-150WB1

## Advantage

- UL, CUL certificate
- 130 Lumen to Watt LEDs & 120lm/watt DLC rated
- E39 lamp base. 360 degree lighting, high CRI.
- IP64 Waterproof Rating
- Big heat sink, double SUNON fans.
- Internal driver, input voltage AC100-277V.
- Long lifespan and good heat dissipation.
- Direct replacement for Metal Halide, Easy Installation.
- Fits many different fixtures to replace traditional lamps

**RUGGED GRADE LIGHTING**

**RuggedGrade.com**



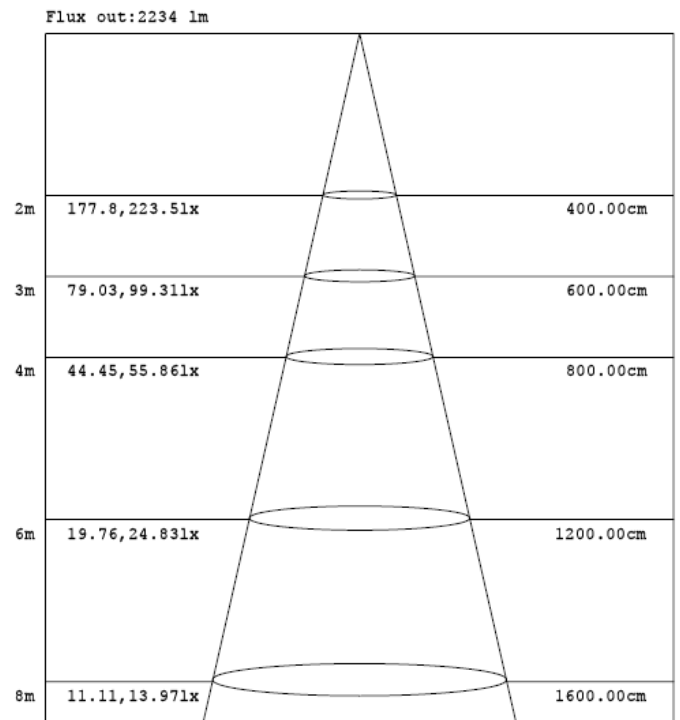
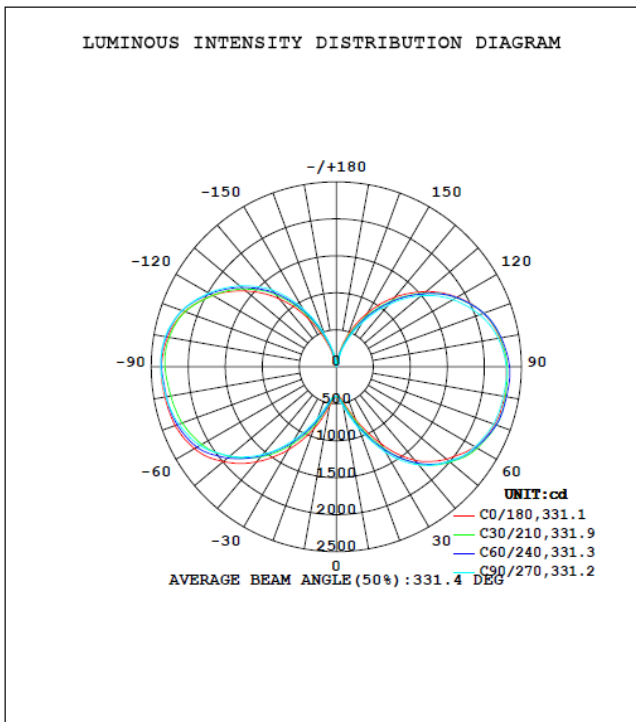
# TECHNICAL DATA SHEET

| PRODUCT SPECIFICATIONS    |  |
|---------------------------|--|
| Product name              | LED Corn Light                               |
| Part No                   | RG-CLW-150WB1                                |
| Dimension                 | 125*310 MM                                   |
| Technical Characteristic  |  |
| Cover                     | Clear  |
| Color temperature         | 2700-6500K available                         |
| CRI                       | > 82   |
| Lumen                     | 17500-20000 LM                               |
| LED Lumen Efficacy        | 130+LM/W                                     |
| In Fixture Lumen Efficacy | 120LM/Watt                                   |
| Input Power               | 150watt                                      |
| Viewing Angle             | 360 degree                                   |
| Input Voltage             | AC100-277V 50/60Hz                           |
| PFC                       | >0.9   |
| Equivalent                | 400W CFL, 400W-750W Metal Halide, HL/HPS/HID |
| Waterproof Rating         | IP64   |
| MATERIALS                 |  |
| LED Brand                 | EPISTAR                                      |
| LED Type                  | SMD2835                                      |
| LED QTY                   | 896 PCS                                      |
| Housing                   | PC+AL  |
| Housing color             | White+Grey                                   |
| OTHERS                    |  |
| Operating Temperature     | -20°C TO 45°C                                |
| Operating Humidity        | 20%-70% RH                                   |
| Storage Temperature       | -30°C TO 80°C                                |
| Storage Humidity          | 10%-75% RH                                   |
| Application               | Indoor/Outdoor                               |
| Safety Certification      | UL、CUL                                       |
| Warranty Time             | 5 Years                                      |

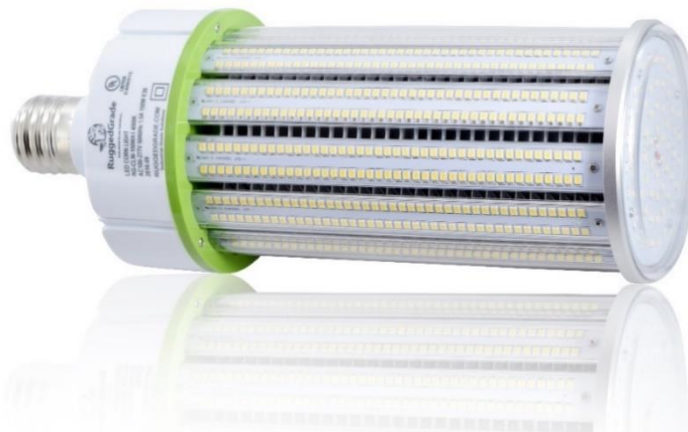
# TECHNICAL DATA SHEET

Remark: The testing data comes from the product in luminaires.

| DATA OF LAMP      |       | PHOTOMETRIC DATA <span style="float: right;">Eff: 147.49 lm/W</span> |         |                          |            |
|-------------------|-------|--|---------|--------------------------|------------|
| MODEL             |       | Imax (cd)  | 2399    | S/MH (C0/180)            | 3.78       |
| NOMINAL POWER (W) | 150   | LOR (%)  | 100.0   | S/MH (C90/270)           | 3.74       |
| RATED VOLTAGE (V) | 120   | TOTAL FLUX (lm)  | 21892   | $\eta$ UP, DN (C0-180)   | 22.8, 26.6 |
| NOMINAL FLUX (lm) | 21892 | CIE CLASS  | DIFFUSE | $\eta$ UP, DN (C180-360) | 23.7, 26.8 |
| LAMPS INSIDE      | 1     | $\eta$ up (%)  | 46.6    | CIBSE SHR NOM            | 2.00       |
| TEST VOLTAGE (V)  | 120   | $\eta$ down (%)  | 53.4    | CIBSE SHR MAX            | 0.00       |

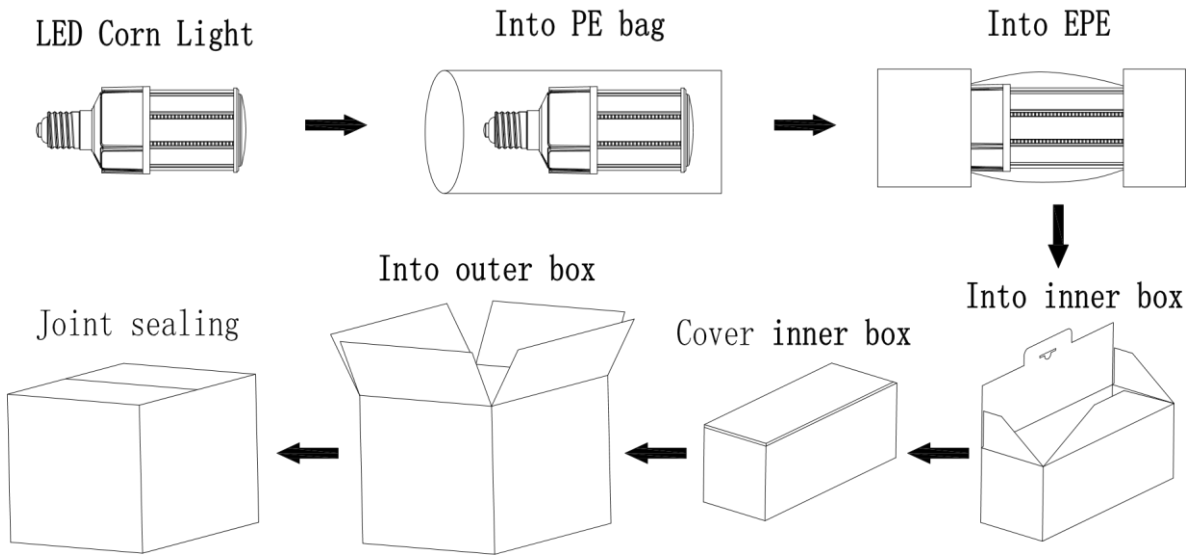


Note: The Curves indicate the illuminated area and the average illumination when the luminaire is at different distance.



# TECHNICAL DATA SHEET

## Package

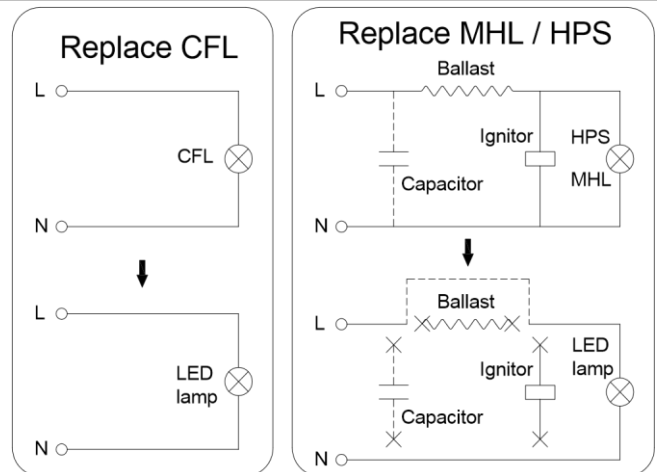


|           | Size           | Qty/ Carton | Net Weight/<br>Carton | Gross Weight/<br>Carton |
|-----------|----------------|-------------|-----------------------|-------------------------|
| Inner box | 365*150*150 MM | 1 PC        | 1.34 KG               | 1.54 KG                 |
| Outer box | 465*315*385 MM | 6 PCS       | 8.0 KG                | 10.2 KG                 |



## Notice For User

- Please turn off power before install or change assembly parts.
- The input voltage and lamps should be matched, after connecting the power line, please make sure the wiring section is insulated.
- Make sure to remove or bypass the ballast in the fixtures before install the lamps.
- Suitable for damp locations. Do not use with dimmers.
- Suitable for use in enclosed luminaires, min. lamp compartment dimensions: 470\*270\*270MM.
- Non-professionals, must not install and disassemble the lamps.



## Trouble Shootings

| Troubles                | Check points   |
|-------------------------|--|
| Flickering of the lamps | Turn off the power and turn on again in 3 minutes. If same phenomena occur, then call agencies |
| Out of working          | Please check the connection  |

