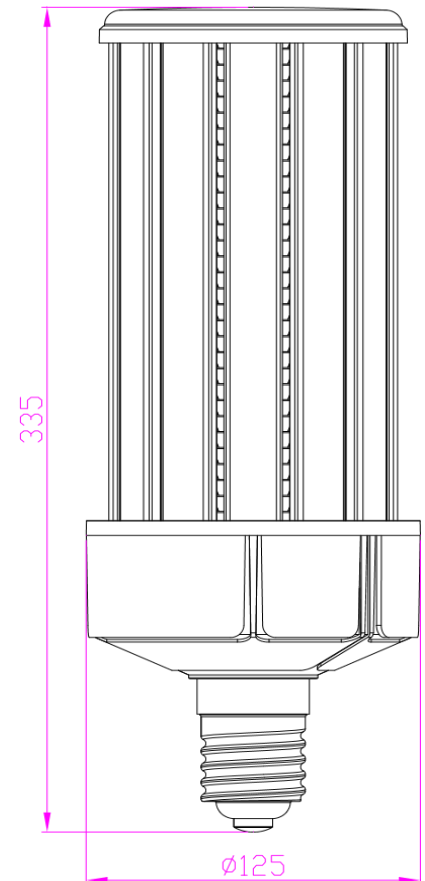


# TECHNICAL DATA SHEET



**NAME:** LED Corn Light  
**P/N:** RG-CLW-150WB1

## Advantage

- UL, CUL certificate
- 130 Lumen to Watt LEDs & 120lm/watt DLC rated
- E39 lamp base. 360 degree lighting, high CRI.
- IP64 Waterproof Rating
- Big heat sink, double SUNON fans.
- Internal driver, input voltage AC100-277V.
- Long lifespan and good heat dissipation.
- Direct replacement for Metal Halide, Easy Installation.
- Fits many different fixtures to replace traditional lamps

**RUGGED GRADE LIGHTING**

**RuggedGrade.com**



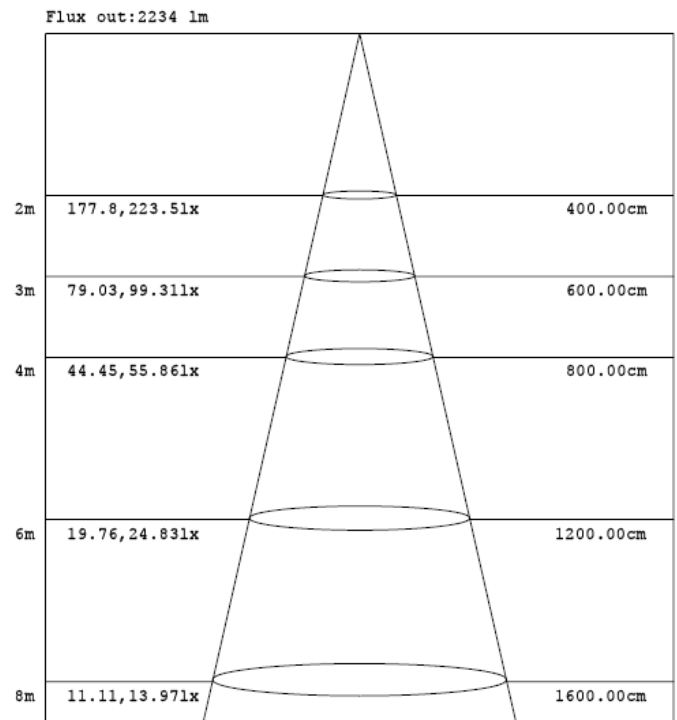
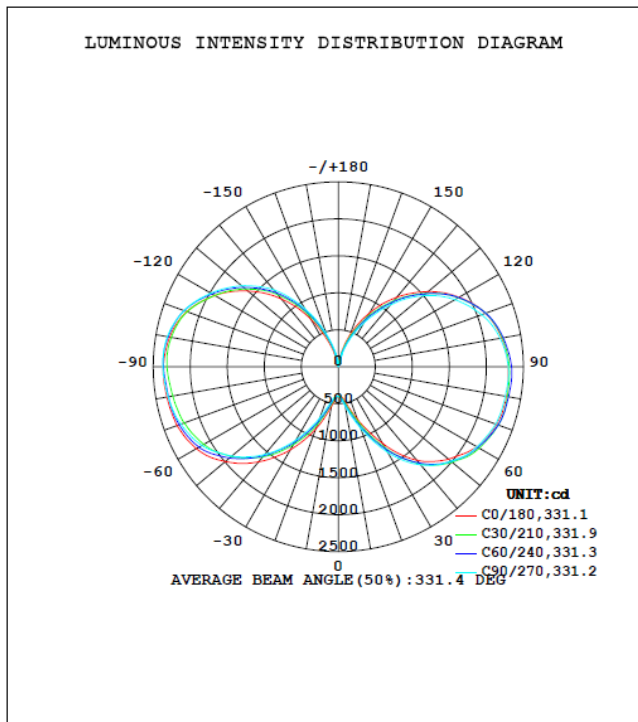
# TECHNICAL DATA SHEET

PRODUCT SPECIFICATIONS	
Product name	LED Corn Light
Part No	RG-CLW-150WB1
Dimension	125*310 MM
Technical Characteristic	
Cover	Clear
Color temperature	2700-6500K available
CRI	> 82
Lumen	17500-20000 LM
LED Lumen Efficacy	130+LM/W
In Fixture Lumen Efficacy	120LM/Watt
Input Power	150watt
Viewing Angle	360 degree
Input Voltage	AC100-277V 50/60Hz
PFC	>0.9
Equivalent	400W CFL, 400W-750W Metal Halide, HL/HPS/HID
Waterproof Rating	IP64
MATERIALS	
LED Brand	EPISTAR
LED Type	SMD2835
LED QTY	896 PCS
Housing	PC+AL
Housing color	White+Grey
OTHERS	
Operating Temperature	-20°C TO 45°C
Operating Humidity	20%-70% RH
Storage Temperature	-30°C TO 80°C
Storage Humidity	10%-75% RH
Application	Indoor/Outdoor
Safety Certification	UL、CUL
Warranty Time	5 Years

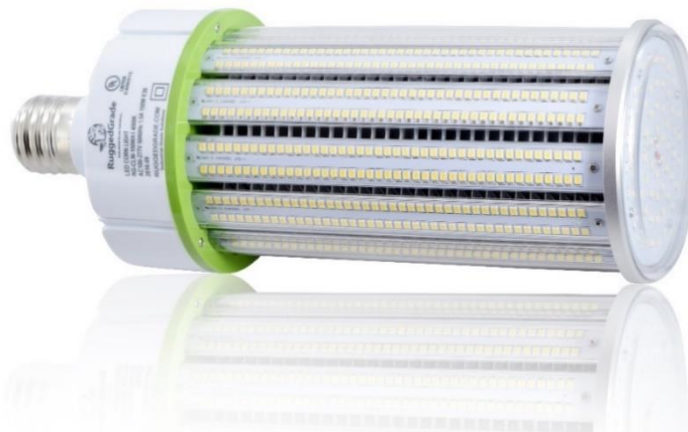
# TECHNICAL DATA SHEET

Remark: The testing data comes from the product in luminaires.

DATA OF LAMP		PHOTOMETRIC DATA <span style="float: right;">Eff: 147.49 lm/W</span>			
MODEL		Imax (cd)	2399	S/MH (C0/180)	3.78
NOMINAL POWER (W)	150	LOR (%)	100.0	S/MH (C90/270)	3.74
RATED VOLTAGE (V)	120	TOTAL FLUX (lm)	21892	$\eta$ UP, DN (C0-180)	22.8, 26.6
NOMINAL FLUX (lm)	21892	CIE CLASS	DIFFUSE	$\eta$ UP, DN (C180-360)	23.7, 26.8
LAMPS INSIDE	1	$\eta$ up (%)	46.6	CIBSE SHR NOM	2.00
TEST VOLTAGE (V)	120	$\eta$ down (%)	53.4	CIBSE SHR MAX	0.00

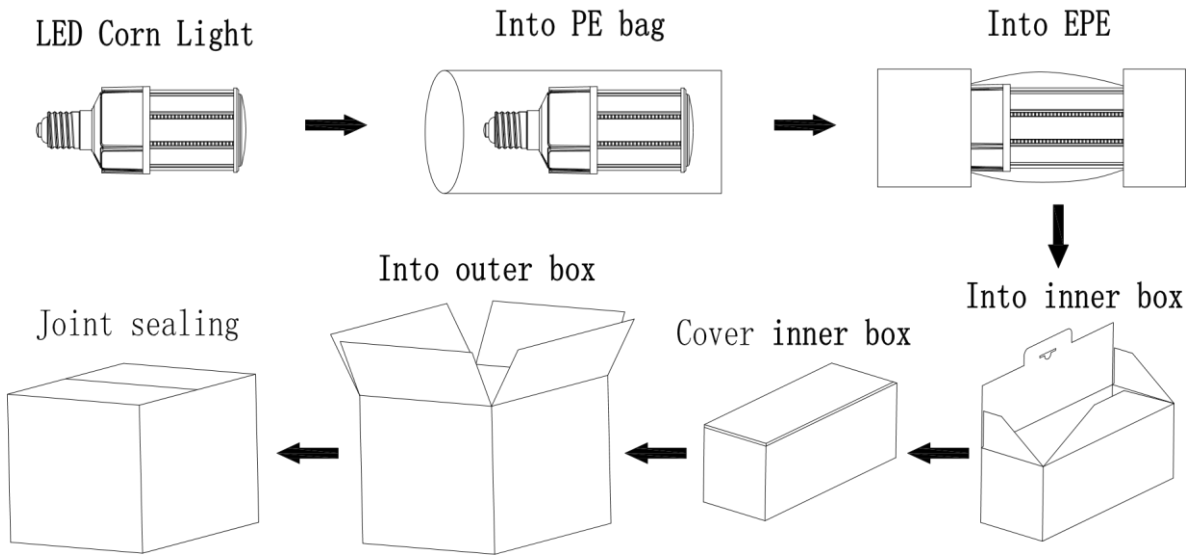


Note: The Curves indicate the illuminated area and the average illumination when the luminaire is at different distance.



# TECHNICAL DATA SHEET

## Package

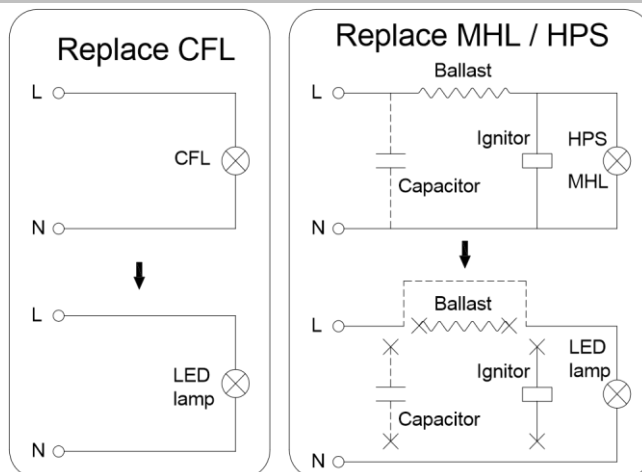


	Size	Qty/ Carton	Net Weight/ Carton	Gross Weight/ Carton
Inner box	365*150*150 MM	1 PC	1.34 KG	1.54 KG
Outer box	465*315*385 MM	6 PCS	8.0 KG	10.2 KG



### Notice For User

- Please turn off power before install or change assembly parts.
- The input voltage and lamps should be matched, after connecting the power line, please make sure the wiring section is insulated.
- Make sure to remove or bypass the ballast in the fixtures before install the lamps.
- Suitable for damp locations. Do not use with dimmers.
- Suitable for use in enclosed luminaires, min. lamp compartment dimensions: 470\*270\*270MM.
- Non-professionals, must not install and disassemble the lamps.



### Trouble Shootings

Troubles	Check points
Flickering of the lamps	Turn off the power and turn on again in 3 minutes. If same phenomena occur, then call agencies
Out of working	Please check the connection

